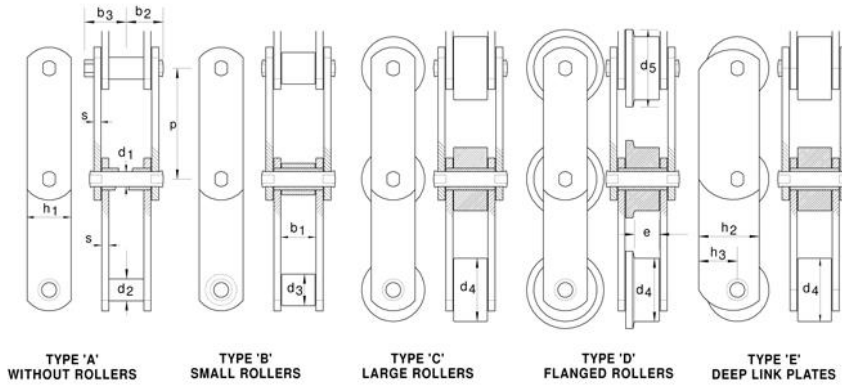




CONVEYOR CHAIN M056

M56 series Conveyor chains manufactured to DIN 8167 ISO 1977 available in deep links and rollers and Plain Bush Construction, 56KN breaking strength conveyor chain.



FB Kedjor Ref	FB Letchworth Ref	Pitch p	Inside Width b ₁	Pin Dia d ₁	Bush Dia d ₂	Roller Dia d ₃	Roller Dia d ₄	Flange Dia d ₅ e	Plate Thick s	Plate Height			Chain Weight kg/m	
										h ₁	h ₂	h ₃	b ₂ b ₃	
3521	M056A063	63	24	10	15				4	30			24 27	3.6
3522	M056B063	63	24	10		21			4	30			24 27	4.0
3523	M056C063	63	24	10			42		4	30			24 27	
3524	M056D063	63	24	10			42	50 17	4	30			24 27	
3525	M056E063	63	24	10			42		4		45	25	24 27	
3531	M056A080	80	24	10	15				4	30			24 27	3.2
3532	M056B080	80	24	10		21			4	30			24 27	3.6
3533	M056C080	80	24	10			42		4	30			24 27	5.9
3534	M056D080	80	24	10			42	50 17	4	30			24 27	6.4
3535	M056E080	80	24	10			42		4		45	25	24 27	7.0
3541	M056A100	100	24	10	15				4	30			24 27	3.0
3542	M056B100	100	24	10		21			4	30			24 27	3.2
3543	M056C100	100	24	10			42		4	30			24 27	5.1
3544	M056D100	100	24	10			42	50 17	4	30			24 27	5.5
3545	M056E100	100	24	10			42		4		45	25	24 27	6.2
3551	M056A125	125	24	10	15				4	30			24 27	2.7
3552	M056B125	125	24	10		21			4	30			24 27	3.0
3553	M056C125	125	24	10			42		4	30			24 27	4.5
3554	M056D125	125	24	10			42	50 17	4	30			24 27	4.8
3555	M056E125	125	24	10			42		4		45	25	24 27	5.5