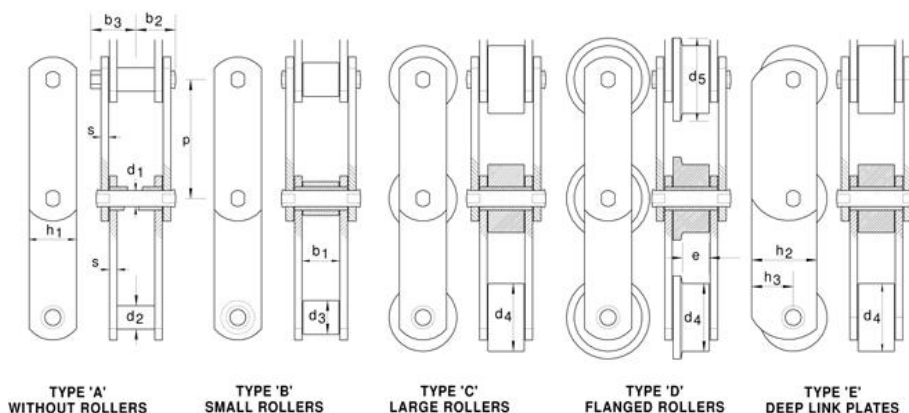




# CONVEYOR CHAIN M080

## SPECIFICATIONS

**M80 series Conveyor chains manufactured to DIN 8167 ISO 1977 available in deep links and rollers and Plain Bush Construction, 80KN breaking strength conveyor chain.**



FB Kedjor Ref	FB Letchworth Ref	Pitch p	Inside Width b <sub>1</sub>	Pin Dia d <sub>1</sub>	Bush Dia d <sub>2</sub>	Roller Dia d <sub>3</sub>	Roller Dia d <sub>4</sub>	Flange Dia d <sub>5</sub>	Plate Thick s	Plate Height			Chain Weight kg/m		
										h <sub>1</sub>	h <sub>2</sub>	h <sub>3</sub>	b <sub>2</sub>	b <sub>3</sub>	

3731	M080A080	80	28	12	18				5	35			29	33	5.0
3732	M080B080	80	28	12		25			5	35			29	33	5.6
3733	M080C080	80	28	12			50		5	35			29	33	9.0
3734	M080D080	80	28	12			50	60 20	5	35			29	33	9.8
3735	M080E080	80	28	12			50		5		50	32.5	29	33	10.2

3741	M080A100	100	28	12	18				5	35			29	33	4.6
3742	M080B100	100	28	12		25			5	35			29	33	5.0
3743	M080C100	100	28	12			50		5	35			29	33	7.8
3744	M080D100	100	28	12			50	60 20	5	35			29	33	8.4
3745	M080E100	100	28	12			50		5		50	32.5	29	33	8.9

3751	M080A125	125	28	12	18				5	35			29	33	4.2
3752	M080B125	125	28	12		25			5	35			29	33	4.6
3753	M080C125	125	28	12			50		5	35			29	33	6.8
3754	M080D125	125	28	12			50	60 20	5	35			29	33	7.3
3755	M080E125	125	28	12			50		5		50	32.5	29	33	7.9

3761	M080A160	160	28	12	18				5	35			29	33	3.9
3762	M080B160	160	28	12		25			5	35			29	33	4.2
3763	M080C160	160	28	12			50		5	35			29	33	5.9
3764	M080D160	160	28	12			50	60 20	5	35			29	33	6.3
3765	M080E160	160	28	12			50		5		50	32.5	29	33	7.1

