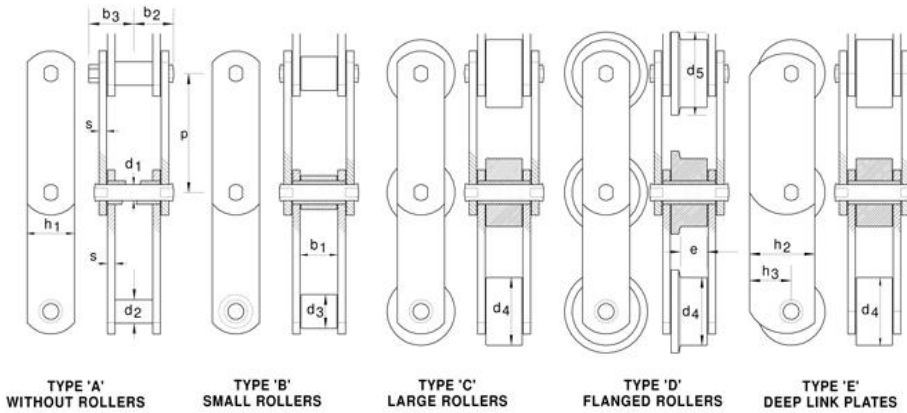




CONVEYOR CHAIN M160

M160 series Conveyor chains manufactured to DIN 8167 ISO 1977 available in deep links and rollers and Plain Bush Construction, 160KN breaking strength conveyor chain.



FB Kedjor Ref	FB Letchworth Ref	Pitch p	Inside Width b ₁	Pin Dia d ₁	Bush Dia d ₂	Roller Dia d ₃	Roller Dia d ₄	Flange Dia d ₅	Plate Thick e	Plate Height h ₁	h ₂	h ₃	b ₂	b ₃	Chain Weight kg/m
---------------	-------------------	---------	-----------------------------	------------------------	-------------------------	---------------------------	---------------------------	---------------------------	---------------	-----------------------------	----------------	----------------	----------------	----------------	-------------------

4141	M160A100	100	37	18	25				7	50			38	43	10.7
4142	M160B100	100	37	18		36			7	50			38	43	12.0
4143	M160C100	100	37	18			70		7	50			38	43	
4144	M160D100	100	37	18			70	85 25.5	7	50			38	43	
4145	M160E100	100	37	18			70		7		70	45	38	43	

4151	M160A125	125	37	18	25				7	50			38	43	9.7
4152	M160B125	125	37	18		36			7	50			38	43	10.7
4153	M160C125	125	37	18			70		7	50			38	43	16.4
4154	M160D125	125	37	18			70	85 25.5	7	50			38	43	17.4
4155	M160E125	125	37	18			70		7		70	45	38	43	17.6

4161	M160A160	160	37	18	25				7	50			38	43	8.7
4162	M160B160	160	37	18		36			7	50			38	43	9.6
4163	M160C160	160	37	18			70		7	50			38	43	14.1
4164	M160D160	160	37	18			70	85 25.5	7	50			38	43	15.1
4165	M160E160	160	37	18			70		7		70	45	38	43	15.5

4171	M160A200	200	37	18	25				7	50			38	43	8.1
4172	M160B200	200	37	18		36			7	50			38	43	8.8
4173	M160C200	200	37	18			70		7	50			38	43	12.3
4174	M160D200	200	37	18			70	85 25.5	7	50			38	43	13.2
4175	M160E200	200	37	18			70		7		70	45	38	43	13.9