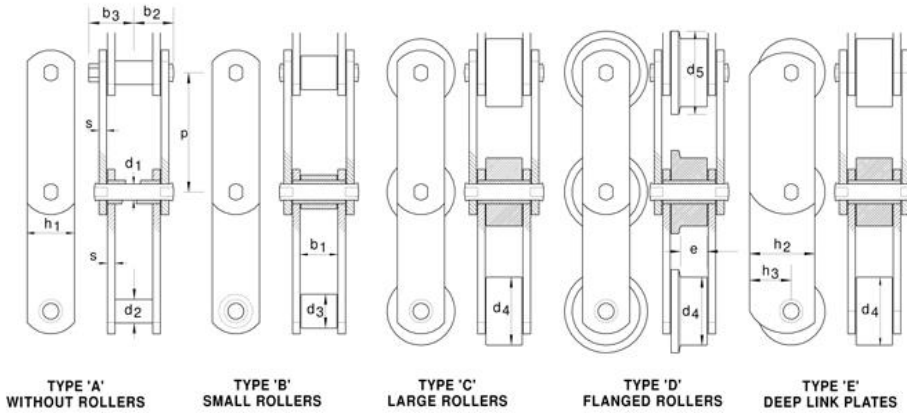




CONVEYOR CHAIN M224

M224 series Conveyor chains manufactured to DIN 8167 ISO 1977 available in deep links and rollers and Plain Bush Construction, 224KN breaking strength conveyor chain.



FB Kedjor Ref	FB Letchworth Ref	Pitch p	Inside Width b ₁	Pin Dia d ₁	Bush Dia d ₂	Roller Dia d ₃	Roller Dia d ₄	Flange Dia d ₅	Plate Thick s	Plate Height			Chain Weight kg/m		
								e		h ₁	h ₂	h ₃	b ₂	b ₃	
4251	M224A125	125	43	21	30				8	60			44	49	14.3
4252	M224B125	125	43	21		42			8	60			44	49	15.9
4253	M224C125	125	43	21			85		8	60			44	49	
4254	M224D125	125	43	21			85	100 30	8	60			44	49	
4255	M224E125	125	43	21			85		8		90	60	44	49	
4261	M224A160	160	43	21	30				8	60			44	49	12.8
4262	M224B160	160	43	21		42			8	60			44	49	14.1
4263	M224C160	160	43	21			85		8	60			44	49	22.1
4264	M224D160	160	43	21			85	100 30	8	60			44	49	23.5
4265	M224E160	160	43	21			85		8		90	60	44	49	26.0
4271	M224A200	200	43	21	30				8	60			44	49	11.7
4272	M224B200	200	43	21		42			8	60			44	49	12.8
4273	M224C200	200	43	21			85		8	60			44	49	19.1
4274	M224D200	200	43	21			85	100 30	8	60			44	49	20.3
4275	M224E200	200	43	21			85		8		90	60	44	49	23.0
4281	M224A250	250	43	21	30				8	60			44	49	10.9
4282	M224B250	250	43	21		42			8	60			44	49	11.7
4283	M224C250	250	43	21			85		8	60			44	49	16.8
4284	M224D250	250	43	21			85	100 30	8	60			44	49	17.8
4285	M224E250	250	43	21			85		8		90	60	44	49	20.7

