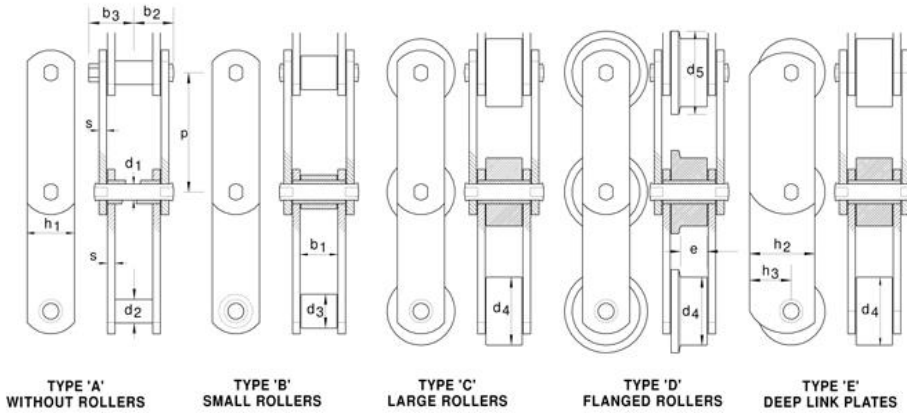




# CONVEYOR CHAIN M315

**M315 series Conveyor chains manufactured to DIN 8167 ISO 1977 available in deep links and rollers and Plain Bush Construction, 315KN breaking strength conveyor chain.**



FB Kedjor Ref	FB Letchworth Ref	Pitch p	Inside Width b <sub>1</sub>	Pin Dia d <sub>1</sub>	Bush Dia d <sub>2</sub>	Roller Dia d <sub>3</sub>	Roller Dia d <sub>4</sub>	Flange Dia d <sub>5</sub>	Plate Thick s	Plate Height					Chain Weight kg/m
								e		h <sub>1</sub>	h <sub>2</sub>	h <sub>3</sub>	b <sub>2</sub>	b <sub>3</sub>	
4461	M315A160	160	48	25	36				10	70			51	58	19.8
4462	M315B160	160	48	25		50			10	70			51	58	21.8
4463	M315C160	160	48	25			100		10	70			51	58	
4464	M315D160	160	48	25			100	120	33	10	70		51	58	
4465	M315E160	160	48	25			100		10		100	65	51	58	
4471	M315A200	200	48	25	36				10	70			51	58	18.1
4472	M315B200	200	48	25		50			10	70			51	58	19.7
4473	M315C200	200	48	25			100		10	70			51	58	29.6
4474	M315D200	200	48	25			100	120	33	10	70		51	58	31.7
4475	M315E200	200	48	25			100		10		100	65	51	58	35.3
4481	M315A250	250	48	25	36				10	70			51	58	16.7
4482	M315B250	250	48	25		50			10	70			51	58	17.9
4483	M315C250	250	48	25			100		10	70			51	58	25.9
4484	M315D250	250	48	25			100	120	33	10	70		51	58	27.6
4485	M315E250	250	48	25			100		10		100	65	51	58	31.3
4491	M315A315	315	48	25	36				10	70			51	58	15.5
4492	M315B315	315	48	25		50			10	70			51	58	16.5
4493	M315C315	315	48	25			100		10	70			51	58	22.8
4494	M315D315	315	48	25			100	120	33	10	70		51	58	24.1
4495	M315E315	315	48	25			100		10		100	65	51	58	28.1