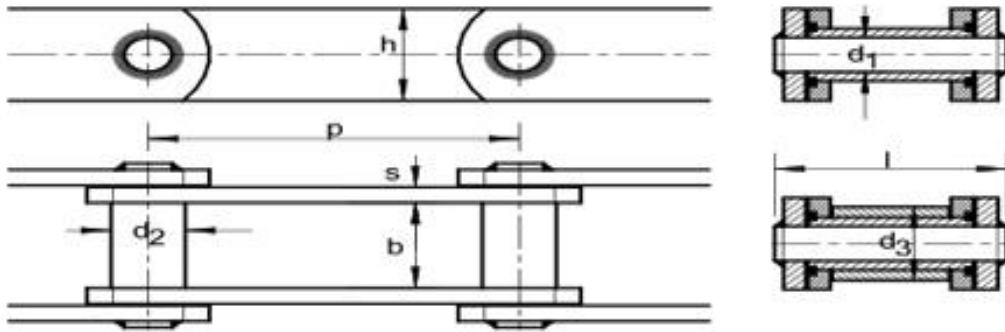




CONVEYOR CHAIN PROFILE



Chain Ref.	Pitch p	Pin d ₁	Bush d ₂	Roller d ₃	Inner Width b	Plate h	Plate s	Pin l	Weight kg/m
------------	---------	--------------------	---------------------	-----------------------	---------------	---------	---------	-------	-------------

FB35-A-100	100	22	34		55	60	10	107	19.2
FB35-B-100	100	22		45	55	60	10	107	22.1
FB35-A-125	125	22	34		55	60	10	107	17.2
FB35-B-125	125	22		45	55	60	10	107	19.5
FB34-A-150	150	22	34		55	60	10	107	16.0
FB35-B-150	150	22		45	55	60	10	107	17.9
FB35-A-160	160	22	34		55	60	10	107	15.5
FB35-B-160	160	22		45	55	60	10	107	17.3
FB35-A-200	200	22	34		55	60	10	107	14.3
FB35-B-200	200	22		45	55	60	10	107	15.7

FB50-A-150	150	26	40		65	70	12	125	27.5
FB50-B-150	150	26		55	65	70	12	125	31.3
FB50-A-160	160	26	40		65	70	12	125	26.6
FB50-B-160	160	26		55	65	70	12	125	30.1
FB50-A-200	200	26	40		65	70	12	125	24.1
FB50-B-200	200	26		55	65	70	12	125	26.9

FB75-A-200	200	32	48		80	85	15	153	33.8
FB75-B-200	200	32		65	80	85	15	153	38.3
FB75-A-250	250	32	48		80	85	15	153	31.2
FB75-B-250	250	32		65	80	85	15	153	35.2