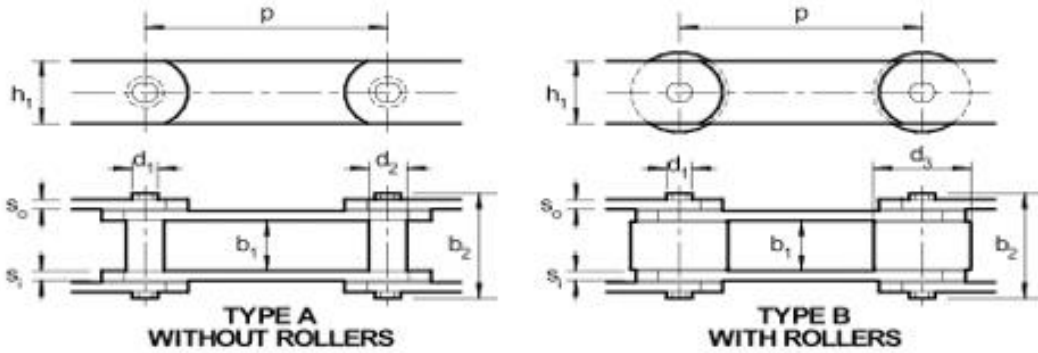




CONVEYOR CHAIN S035

S035 series Conveyor chains manufactured to SMS 1698 available in heavy Side plates with rollers or Plain Bush Construction, 35KN breaking strength conveyor chain.



FB Kedjor Ref	FB Letchworth Ref	Pitch p	Inside Width b ₁	Pin Dia d ₁	Bush Dia d ₂	Roller Dia d ₃	Plate Height h ₁	Inner Plate s _i	Outer Plate s _o	Pin Length b ₂	Chain Weight kg/m
---------------	-------------------	---------	-----------------------------	------------------------	-------------------------	---------------------------	-----------------------------	----------------------------	----------------------------	---------------------------	-------------------

2101	S035A050	50	18	10	15		25	4	4	49	
2103	S035A050H	50	18	10	15		25	4	6	49	
2111	S035A063	63	18	10	15		25	4	4	49	2.6
2113	S035A063H	63	18	10	15		25	4	6	49	3.4
2121	S035A080	80	18	10	15		25	4	4	49	2.4
2123	S035A080H	80	18	10	15		25	4	6	49	3.2
2131	S035A100	100	18	10	15		25	4	4	49	2.2
2133	S035A100H	100	18	10	15		25	4	6	49	3.0

2112	S035B063	63	18	10		32	25	4	4	49	
2114	S035B063H	63	18	10		32	25	4	6	49	
2122	S035B080	80	18	10		32	25	4	4	49	3.4
2124	S035B080H	80	18	10		32	25	4	6	49	4.2
2132	S035B100	100	18	10		32	25	4	4	49	3.0
2134	S035B100H	100	18	10		32	25	4	6	49	3.8