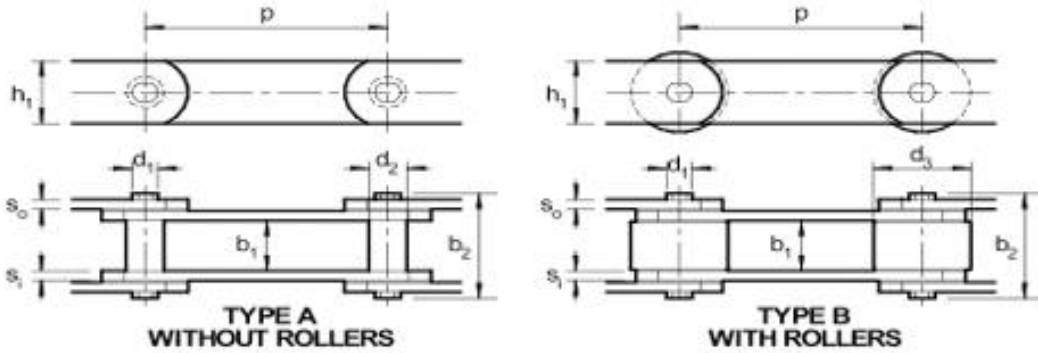




# CONVEYOR CHAIN S055

**S055 series Conveyor chains manufactured to SMS 1698 available in heavy Side plates with rollers or Plain Bush Construction, 55KN breaking strength conveyor chain.**



FB Kedjor Ref	FB Letchworth Ref	Pitch p	Inside Width b <sub>1</sub>	Pin Dia d <sub>1</sub>	Bush Dia d <sub>2</sub>	Roller Dia d <sub>3</sub>	Plate Height h <sub>1</sub>	Inner Plate s <sub>i</sub>	Outer Plate s <sub>o</sub>	Pin Length b <sub>2</sub>	Chain Weight kg/m
---------------	-------------------	---------	-----------------------------	------------------------	-------------------------	---------------------------	-----------------------------	----------------------------	----------------------------	---------------------------	-------------------

2201	S055A050	50	22	12	18		30	5	4	54	
2203	S055A050H	50	22	12	18		30	5	6	54	
2211	S055A063	63	22	12	18		30	5	4	54	4.0
2213	S055A063H	63	22	12	18		30	5	6	54	4.6
2221	S055A080	80	22	12	18		30	5	4	54	3.6
2223	S055A080H	80	22	12	18		30	5	6	54	4.2
2231	S055A100	100	22	12	18		30	5	4	54	3.4
2233	S055A100H	100	22	12	18		30	5	6	54	4.0

2212	S055B063	63	22	12		40	30	5	4	54	
2214	S055B063H	63	22	12		40	30	5	6	54	
2222	S055B080	80	22	12		40	30	5	4	54	
2224	S055B080H	80	22	12		40	30	5	6	54	
2232	S055B100	100	22	12		40	30	5	4	54	5.0
2234	S055B100H	100	22	12		40	30	5	6	54	5.6