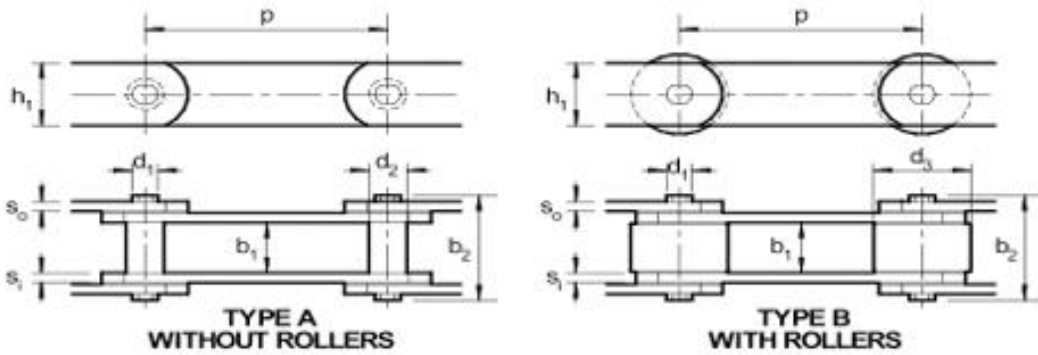




# CONVEYOR CHAIN S085

**S085 series Conveyor chains manufactured to SMS 1698 available in heavy Side plates with rollers or Plain Bush Construction, 85KN breaking strength conveyor chain.**



FB Kedjor Ref	FB Letchworth Ref	Pitch p	Inside Width b <sub>1</sub>	Pin Dia d <sub>1</sub>	Bush Dia d <sub>2</sub>	Roller Dia d <sub>3</sub>	Plate Height h <sub>1</sub>	Inner Plate s <sub>i</sub>	Outer Plate s <sub>o</sub>	Pin Length b <sub>2</sub>	Chain Weight kg/m
---------------	-------------------	---------	-----------------------------	------------------------	-------------------------	---------------------------	-----------------------------	----------------------------	----------------------------	---------------------------	-------------------

2311	S085A063	63	25	14	20		35	6	5	65	5.8
2313	S085A063H	63	25	14	20		35	6	8	65	7.0
2321	S085A080	80	25	14	20		35	6	5	65	5.2
2323	S085A080H	80	25	14	20		35	6	8	65	6.4
2331	S085A100	100	25	14	20		35	6	5	65	4.8
2333	S085A100H	100	25	14	20		35	6	8	65	5.8
2341	S085A150	150	25	14	20		35	6	5	65	4.2
2343	S085A150H	150	25	14	20		35	6	8	65	5.2

2322	S085B080	80	25	14		50	35	6	5	65	
2324	S085B080H	80	25	14		50	35	6	8	65	
2332	S085B100	100	25	14		50	35	6	5	65	8.0
2334	S085B100H	100	25	14		50	35	6	8	65	9.0
2342	S085B150	150	25	14		50	35	6	5	65	6.4
2344	S085B150H	150	25	14		50	35	6	8	65	7.4