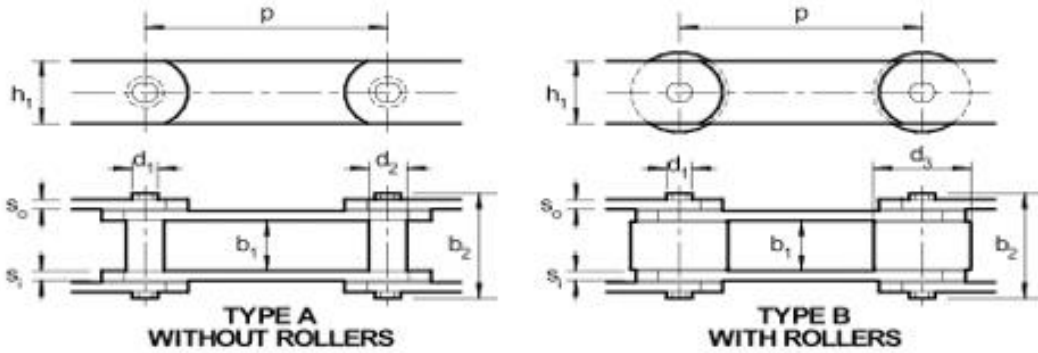




# CONVEYOR CHAIN S125

**S125 series Conveyor chains manufactured to SMS 1698 available in heavy Side plates with rollers or Plain Bush Construction, 125KN breaking strength conveyor chain.**



FB Kedjor Ref	FB Letchworth Ref	Pitch p	Inside Width $b_1$	Pin Dia $d_1$	Bush Dia $d_2$	Roller Dia $d_3$	Plate Height $h_1$	Inner Plate $s_i$	Outer Plate $s_o$	Pin Length $b_2$	Chain Weight kg/m
---------------	-------------------	---------	--------------------	---------------	----------------	------------------	--------------------	-------------------	-------------------	------------------	-------------------

2431	S125A100	100	35	18	26		40	8	6	81	7.8
2433	S125A100H	100	35	18	26		40	8	8	81	8.6
2441	S125A150	150	35	18	26		40	8	6	81	6.6
2443	S125A150H	150	35	18	26		40	8	8	81	7.4
2451	S125A200	200	35	18	26		40	8	6	81	6.2
2453	S125A200H	200	35	18	26		40	8	8	81	7.0

2432	S125B100	100	35	18		60	40	8	6	81	
2434	S125B100H	100	35	18		60	40	8	8	81	
2442	S125B150	150	35	18		60	40	8	6	81	11.4
2444	S125B150H	150	35	18		60	40	8	8	81	12.2
2452	S125B200	200	35	18		60	40	8	6	81	9.6
2454	S125B200H	200	35	18		60	40	8	8	81	10.4