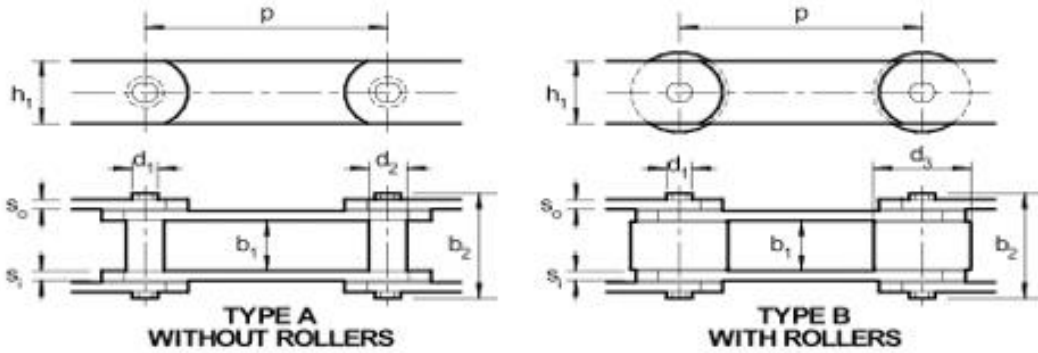




CONVEYOR CHAIN S180

S180 series Conveyor chains manufactured to SMS 1698 available in heavy Side plates with rollers or Plain Bush Construction, 180KN breaking strength conveyor chain.



FB Kedjor Ref	FB Letchworth Ref	Pitch p	Inside Width b ₁	Pin Dia d ₁	Bush Dia d ₂	Roller Dia d ₃	Plate Height h ₁	Inner Plate s _i	Outer Plate s _o	Pin Length b ₂	Chain Weight kg/m
2531	S180A100	100	45	20	30		50	8	6	96	11.0
2533	S180A100H	100	45	20	30		50	8	10	96	13.2
2541	S180A150	150	45	20	30		50	8	6	96	9.2
2543	S180A150H	150	45	20	30		50	8	10	96	11.2
2551	S180A200	200	45	20	30		50	8	6	96	8.2
2553	S180A200H	200	45	20	30		50	8	10	96	10.2
2561	S180A250	250	45	20	30		50	8	6	96	
2563	S180A250H	250	45	20	30		50	8	10	96	
2542	S180B150	150	45	20		70	50	8	6	96	16.4
2544	S180B150H	150	45	20		70	50	8	10	96	18.4
2552	S180B200	200	45	20		70	50	8	6	96	13.8
2554	S180B200H	200	45	20		70	50	8	10	96	15.8
2562	S180B250	250	45	20		70	50	8	6	96	
2564	S180B250H	250	45	20		70	50	8	10	96	