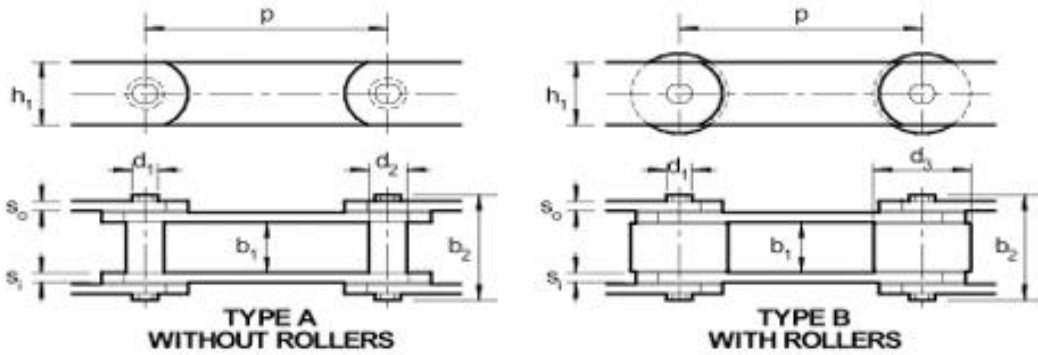




CONVEYOR CHAIN S240

S240 series Conveyor chains manufactured to SMS 1698 available in heavy Side plates with rollers or Plain Bush Construction, 240KN breaking strength conveyor chain.



FB Kedjor Ref	FB Letchworth Ref	Pitch p	Inside Width b_1	Pin Dia d_1	Bush Dia d_2	Roller Dia d_3	Plate Height h_1	Inner Plate s_i	Outer Plate s_o	Pin Length b_2	Chain Weight kg/m
---------------	-------------------	---------	--------------------	---------------	----------------	------------------	--------------------	-------------------	-------------------	------------------	-------------------

2641	S240A150	150	55	26	36		60	10	8	116	14.5
2643	S240A150H	150	55	26	36		60	10	12	116	17.0
2651	S240A200	200	55	26	36		60	10	8	116	13.5
2653	S240A200H	200	55	26	36		60	10	12	116	16.0
2661	S240A250	250	55	26	36		60	10	8	116	12.5
2663	S240A250H	250	55	26	36		60	10	12	116	14.5

2642	S240B150	150	55	26		80	60	10	8	116	26.0
2644	S240B150H	150	55	26		80	60	10	12	116	28.5
2652	S240B200	200	55	26		80	60	10	8	116	22.0
2654	S240B200H	200	55	26		80	60	10	12	116	24.5
2662	S240B250	250	55	26		80	60	10	8	116	19.5
2664	S240B250H	250	55	26		80	60	10	12	116	21.5