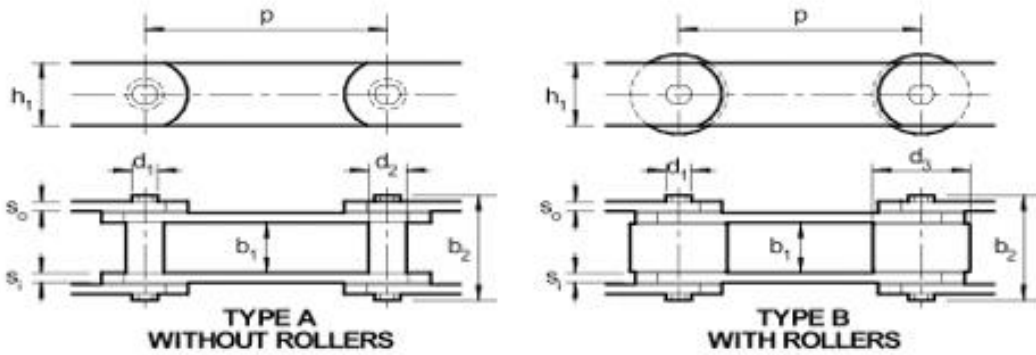




CONVEYOR CHAIN S300

S300 series Conveyor chains manufactured to SMS 1698 available in heavy Side plates with rollers or Plain Bush Construction, 300KN breaking strength conveyor chain.



| FB Kedjor Ref | FB Letchworth Ref | Pitch p | Inside Width b ₁ | Pin Dia d ₁ | Bush Dia d ₂ | Roller Dia d ₃ | Plate Height h ₁ | Inner Plate s _i | Outer Plate s _o | Pin Length b ₂ | Chain Weight kg/m |
|---------------------|-------------------------|------------|-----------------------------------|------------------------------|-------------------------------|---------------------------------|-----------------------------------|----------------------------------|----------------------------------|---------------------------------|-------------------------|
|---------------------|-------------------------|------------|-----------------------------------|------------------------------|-------------------------------|---------------------------------|-----------------------------------|----------------------------------|----------------------------------|---------------------------------|-------------------------|

| | | | | | | | | | | | |
|------|-----------|-----|----|----|----|-----|----|----|----|-----|------|
| 2741 | S300A150 | 150 | 65 | 30 | 42 | N/A | 70 | 10 | 8 | 128 | 19.0 |
| 2743 | S300A150H | 150 | 65 | 30 | 42 | N/A | 70 | 10 | 12 | 128 | 22.5 |
| 2751 | S300A200 | 200 | 65 | 30 | 42 | N/A | 70 | 10 | 8 | 128 | 17.0 |
| 2753 | S300A200H | 200 | 65 | 30 | 42 | N/A | 70 | 10 | 12 | 128 | 20.0 |
| 2761 | S300A250 | 250 | 65 | 30 | 42 | N/A | 70 | 10 | 8 | 128 | 15.5 |
| 2763 | S300A250H | 250 | 65 | 30 | 42 | N/A | 70 | 10 | 12 | 128 | 18.5 |