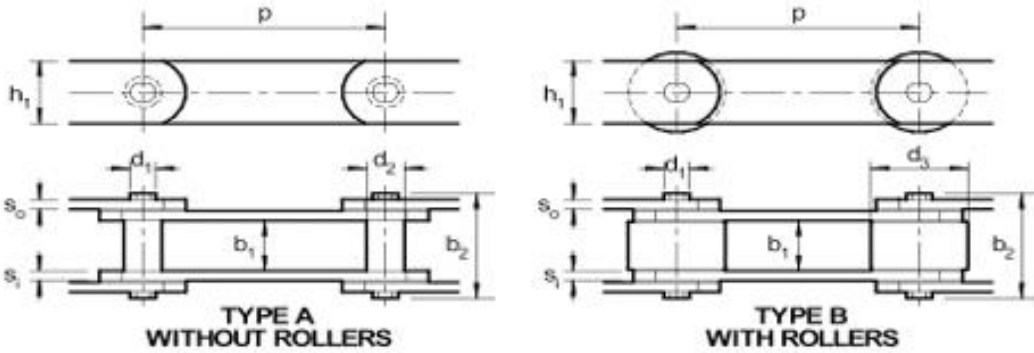




# CONVEYOR CHAIN S400

**S400 series Conveyor chains manufactured to SMS 1698 available in heavy Side plates with rollers or Plain Bush Construction, 400KN breaking strength conveyor chain.**



FB Kedjor Ref	FB Letchworth Ref	Pitch $p$	Inside Width $b_1$	Pin Dia $d_1$	Bush Dia $d_2$	Roller Dia $d_3$	Plate Height $h_1$	Inner Plate $s_1$	Outer Plate $s_0$	Pin Length $b_2$	Chain Weight kg/m
---------------------	-------------------------	--------------	--------------------------	---------------------	----------------------	------------------------	--------------------------	-------------------------	-------------------------	------------------------	-------------------------

2841	S400A150	150	80	36	50	N/A	80	12	10	148	29.5
2843	S400A150H	150	80	36	50	N/A	80	12	12	148	31.5
2851	S400A200	200	80	36	50	N/A	80	12	10	148	26.0
2853	S400A200H	200	80	36	50	N/A	80	12	12	148	27.5
2861	S400A250	250	80	36	50	N/A	80	12	10	148	23.5
2863	S400A250H	250	80	36	50	N/A	80	12	12	148	25.0