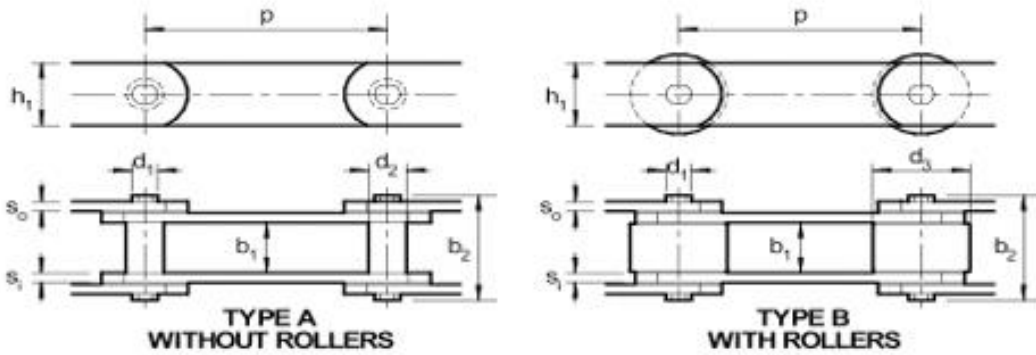




CONVEYOR CHAIN S650

S650 series Conveyor chains manufactured to SMS 1698 available in heavy Side plates with rollers or Plain Bush Construction, 650KN breaking strength conveyor chain.



FB Kedjor Ref	FB Letchworth Ref	Pitch p	Inside Width b_1	Pin Dia d_1	Bush Dia d_2	Roller Dia d_3	Plate Height h_1	Inner Plate s_i	Outer Plate s_o	Pin Length b_2	Chain Weight kg/m
2941	S650A150	150	80	36	50	N/A	90	15	12	158	39.0
2943	S650A150H	150	80	36	50	N/A	90	15	15	158	42.0
2951	S650A200	200	80	36	50	N/A	90	15	12	158	34.5
2953	S660A200H	200	80	36	50	N/A	90	15	15	158	37.5
2961	S650A250	250	80	36	50	N/A	90	15	12	158	31.5
2963	S650A250H	250	80	36	50	N/A	90	15	15	158	34.0