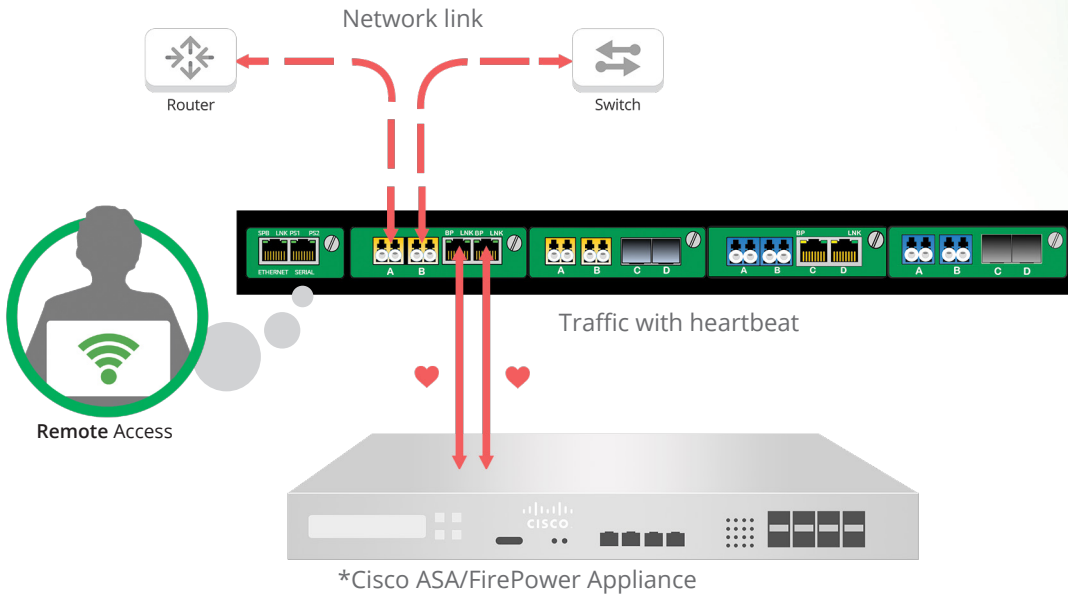


# 1G Media Conversion Solution

## 1U Design for Media Flexibility

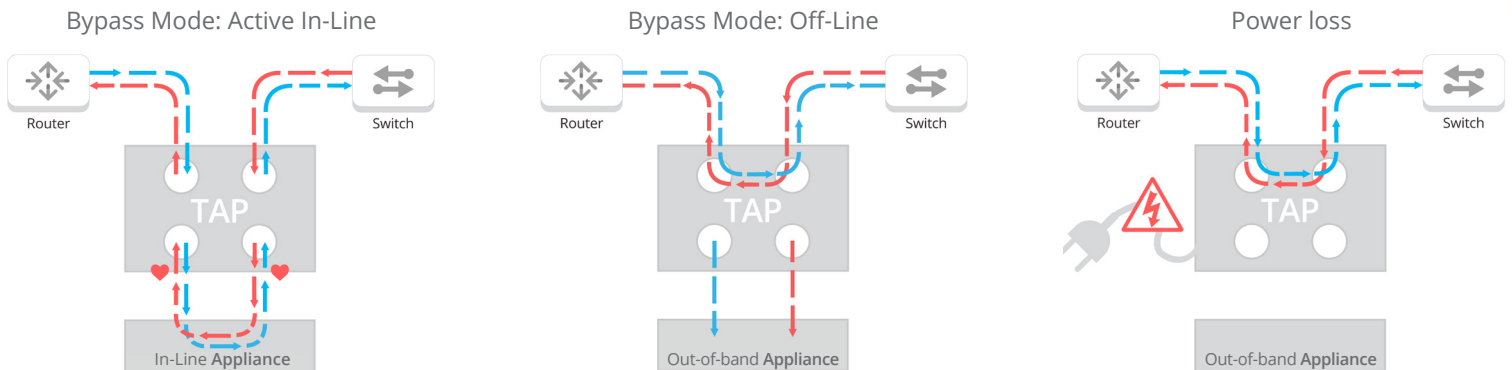


### Media Conversion

This solution offers conversion to and from:

- Copper (TX) to Fiber (SX, LX, ZX)
- Fiber (SX, LX, ZX) to Copper (TX)
- Fiber Short range (SX) to Long range (LX or ZX)

### Bypass TAP Traffic Flow



### Applications

- Gain media flexibility when accessing 1G circuits.
- Combine monitoring and in-line TAPs in 1U chassis.
- Modules support breakout, aggregation, regeneration/SPAN and bypass modes.
- Guarantee 100% production network uptime with heartbeat packet support in each module.
- Mix and match all media types for each module.
- Take your Cisco appliance offline without interrupting data traffic for:
  - Updates
  - Maintenance
  - Troubleshooting
- Modules support jumbo frames and packet slicing.

### Heartbeat Packets

Heartbeat packets are sent out of each monitoring port. If the heartbeat packets are not received from either direction, then Bypass Mode takes effect. Heartbeat packets are never sent on the live network.

### Have Questions?

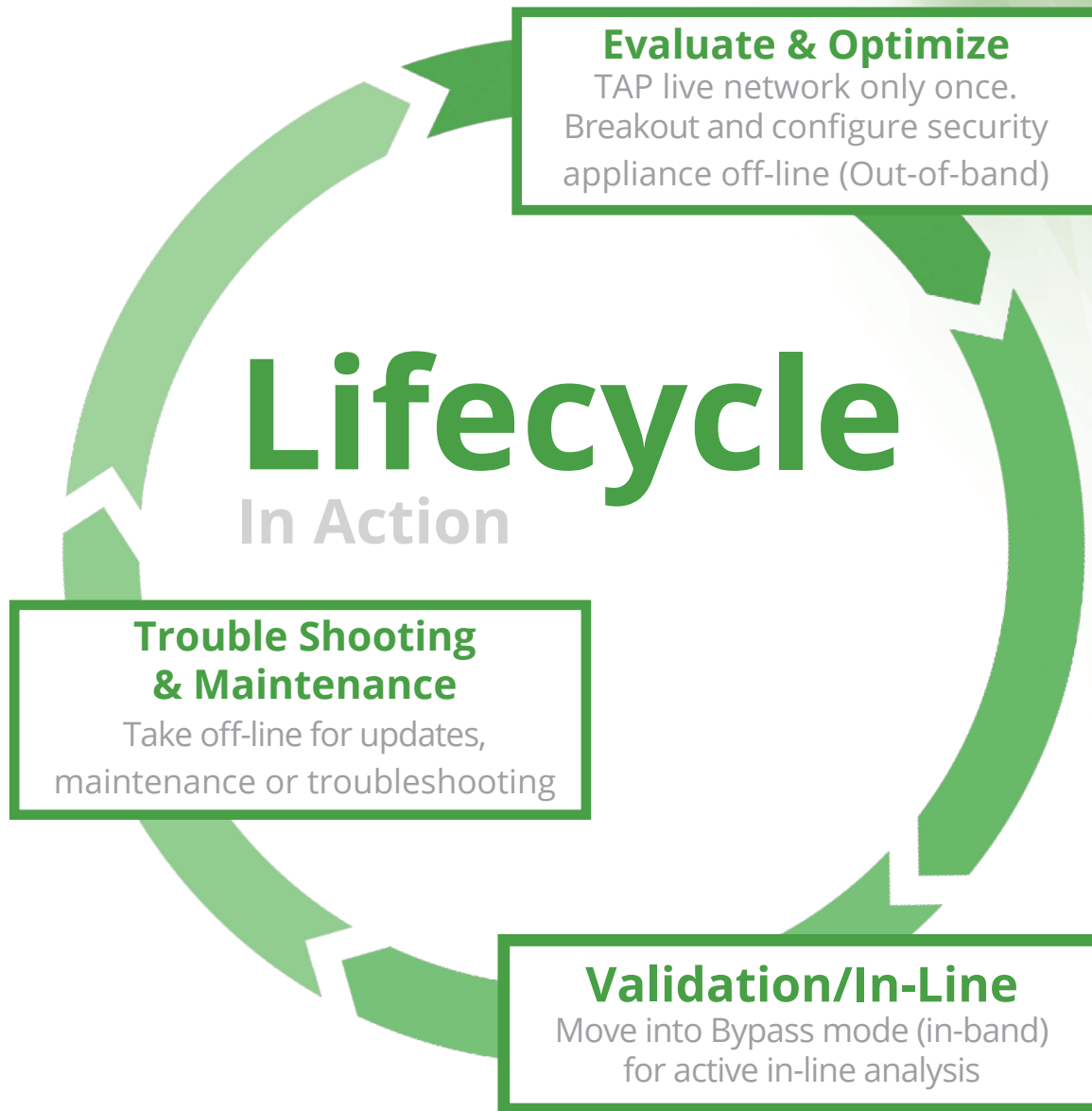
sales@garlandtechnology.com  
+716.242.8500  
garlandtechnology.com

# A Best Practice Guide

For deploying and managing your in-line appliances.



Solution  
Partner



## Garland Technology Ordering Information:

Part Number	Description
Chassis:	
M1G1ACE	1U; up to 4 TAPs - Dual Internal AC Power Supplies
M1G1DCE	1U; up to 4 TAPs - Dual Internal DC Power Supplies
M1G2ACE	2U; up to 12 TAPs - Dual Internal AC Power Supplies
M1G2DCE	2U; up to 12 TAPs - Dual Internal DC Power Supplies
M1GC*	Management card: Ethernet/GUI - and - Serial/CLI for M1GxxxE



This document is for informational purposes only. The information in this document, believed by Garland Technology to be accurate as of the date of publication, is subject to change without notice. Garland Technology assumes no responsibility for any errors or omissions in this document and shall have no obligation to you as a result of having made this document available to you or based upon the information it contains. ©2017 Garland Technology LLC. All Rights Reserved