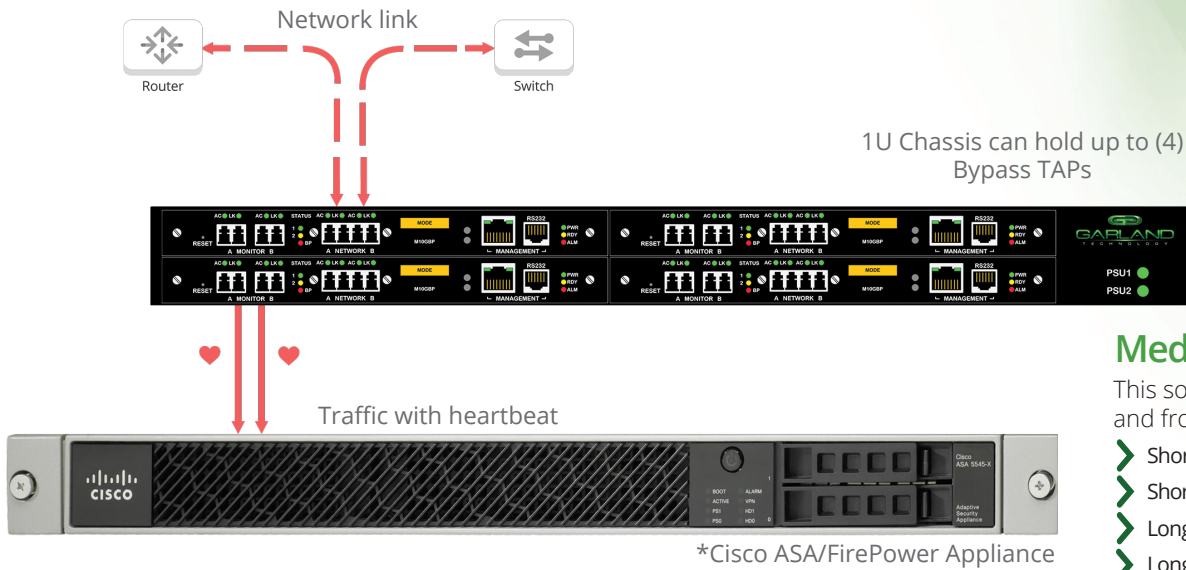


10G Media Conversion Solution

Flexible 1U Design to Mix and Match Fiber

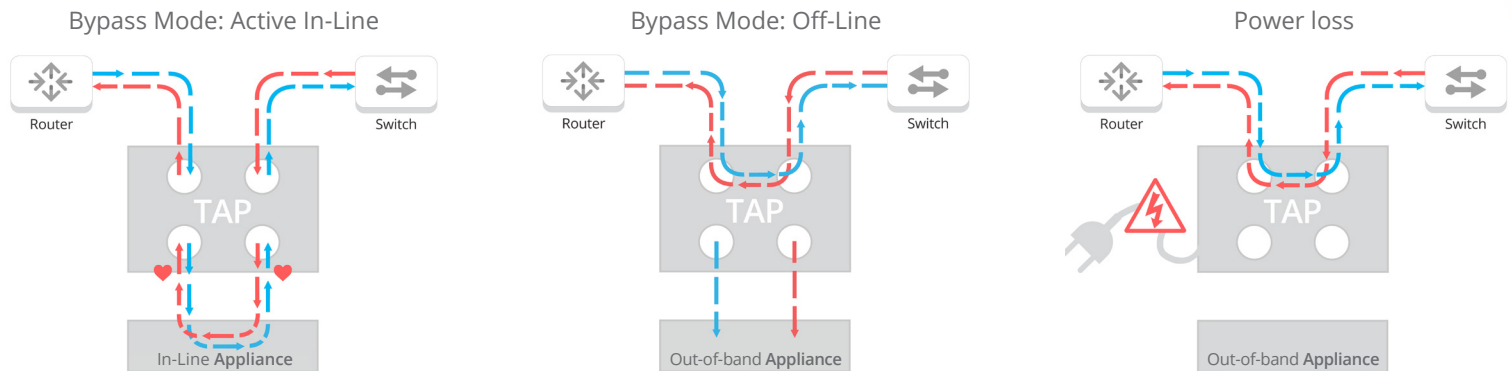


Media Conversion

This solution offers conversion to and from:

- Short range (SR) to Long range (LR)
- Short range (SR) to Extended range (ER)
- Long range (LR) to Short range (SR)
- Long range (LR) to Extended range (ER)
- Extended range (ER) to Short range (SR)
- Extended range (ER) to Long range (LR)

Bypass TAP Traffic Flow



Applications

- Securely TAP a 10G circuit and convert to SR, LR and ER.
- Take your Cisco appliance offline without interrupting data traffic for: updates, maintenance and troubleshooting.
- Guarantee 100% production circuit uptime with appliance heartbeat and dual power supplies.
- House up to (4) TAPs in a 1U chassis.
- Chassis is remotely configurable.
- TAPs are fully configurable and support multiple modes:
 - Breakout mode
 - Bypass mode
 - Aggregation mode
 - Regeneration mode
- Support for packet injection, jumbo frames, link failure propagation with TACACS, SNMP and Syslog.

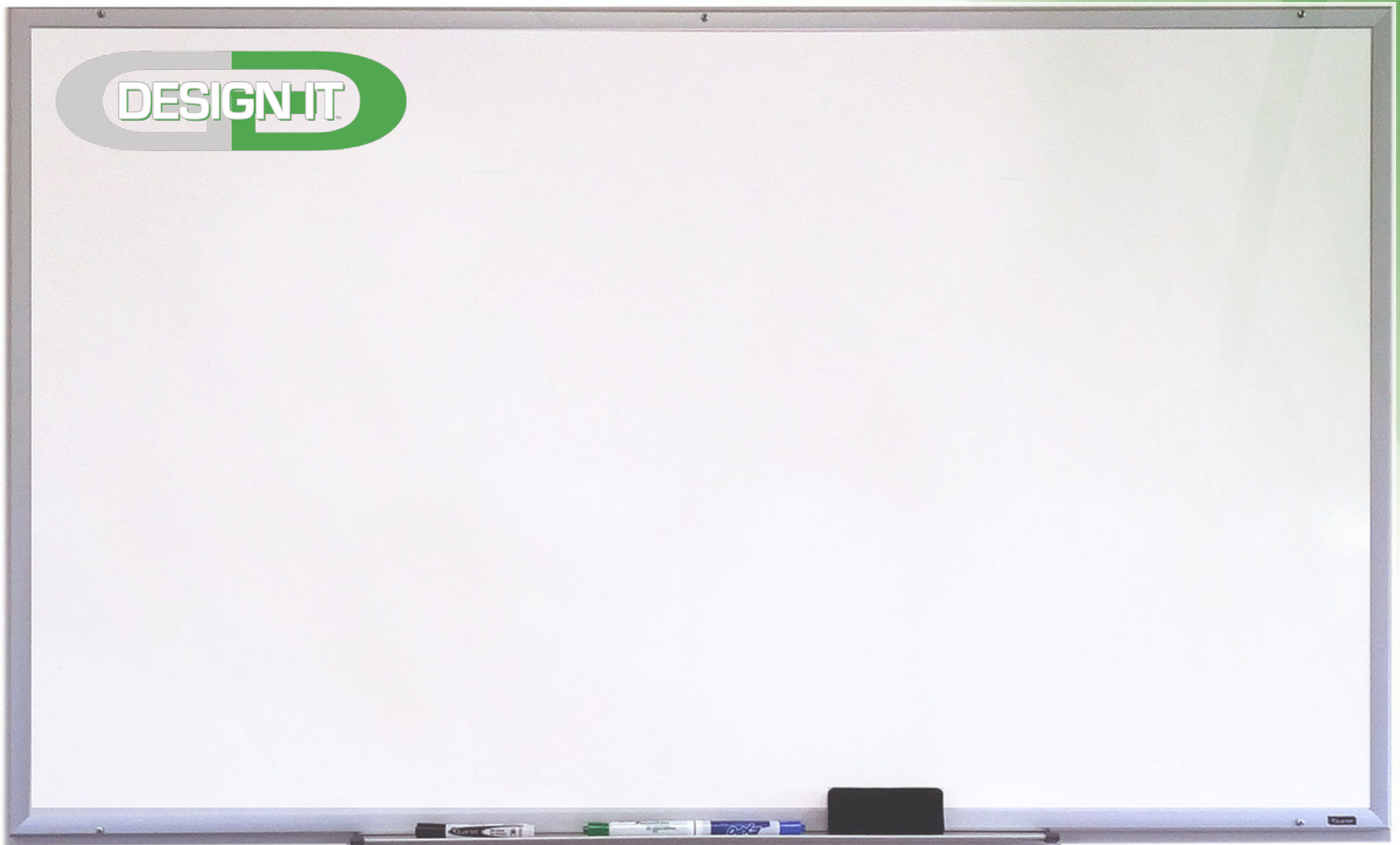
Heartbeat Packets

Heartbeat packets are sent out of each monitoring port. If the heartbeat packets are not received from either direction, then Bypass Mode takes effect. Heartbeat packets are never sent on the live network.

Have Questions?

sales@garlandtechnology.com
+716.242.8500
garlandtechnology.com

10G Media Conversion Solution



Part Numbers and Ordering Information •

Supports all Cisco
ASA/FirePower
NGFW's and IPS.



Garland Technology Ordering Information:

Part Number	Description
Chassis:	
M10G1ACsv2	1U Modular Chassis; Dual AC PSU - Supports (4) 10G Bypass TAP Modules
M10G1DCsv2	1U Modular Chassis, Dual DC -48vdc PSU - Supports (4) 10G Bypass TAP Modules
TAP Modules:	
M10GMSBPv2	10Gbps Bypass TAP; 2 Multi-mode Fiber TAP Ports; 2 SFP Monitoring Ports
M10GSSBPv2	10Gbps Bypass TAP; 2 Single-mode Fiber (LR) TAP Ports; 2 SFP Monitoring Ports
M10GESBPv2	10Gbps Bypass TAP; 2 Single-mode Fiber (ER) TAP Ports; 2 SFP Monitoring Ports
SFP+SR10	10G-SR SFP+
SFP+LR10	10G-LR SFP+
SFP+ER10	10G-ER SFP+



This document is for informational purposes only. The information in this document, believed by Garland Technology to be accurate as of the date of publication, is subject to change without notice. Garland Technology assumes no responsibility for any errors or omissions in this document and shall have no obligation to you as a result of having made this document available to you or based upon the information it contains. ©2017 Garland Technology LLC. All Rights Reserved