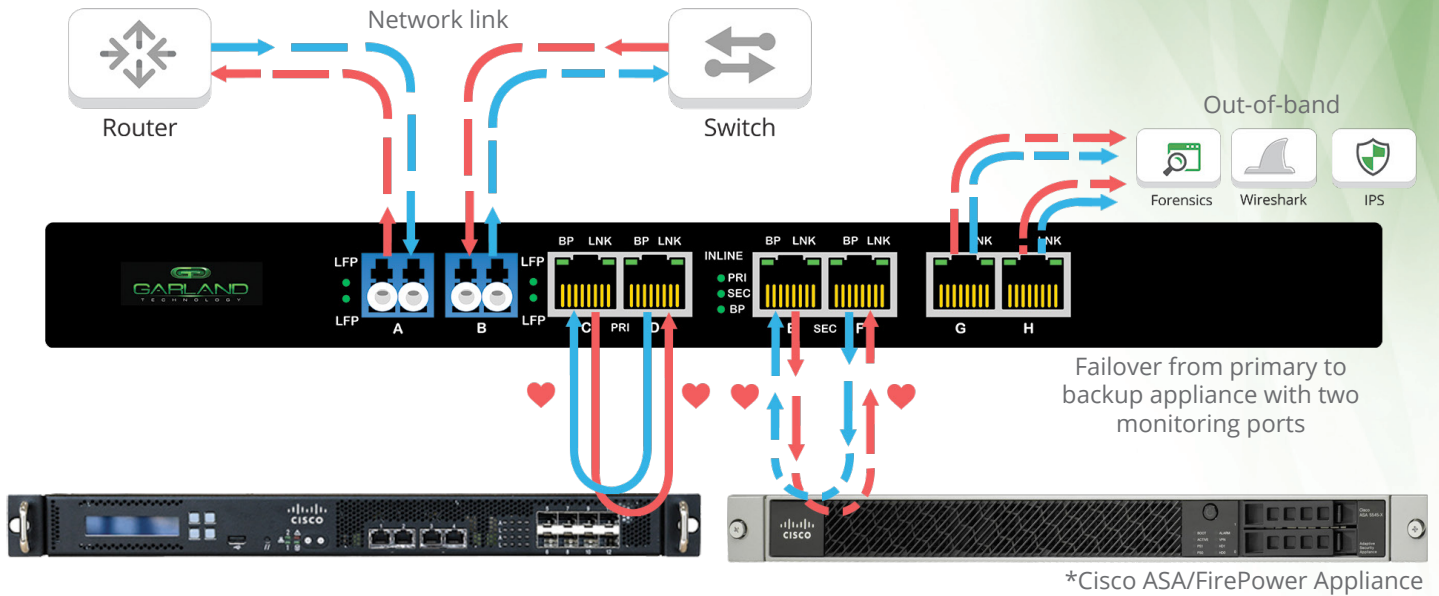
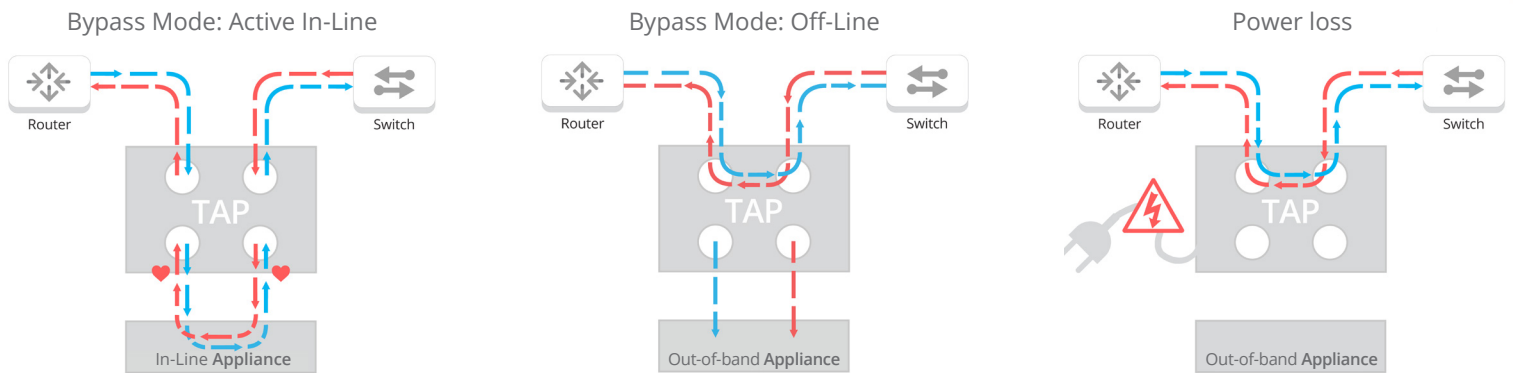


# High Availability Solution

## Single Network TAP with Automatic Failover



## Bypass TAP Traffic Flow



## Applications

- > High availability single TAP with automatic failover
- > Fail-safe protection for in-line appliances such as:
  - Firewalls
  - Intrusion Prevention Systems (IPS)
  - Data Leakage Protection (DLP)
  - Web content filters
- > Unit supports breakout, aggregation, bypass and regeneration
- > Take your Cisco appliance offline without interrupting data traffic for:
  - Updates
  - Maintenance
  - Troubleshooting
- > Additional ports ideal for Application Performance Monitoring or Network Performance Monitoring
- > High density solution allows multiple connections in 1U

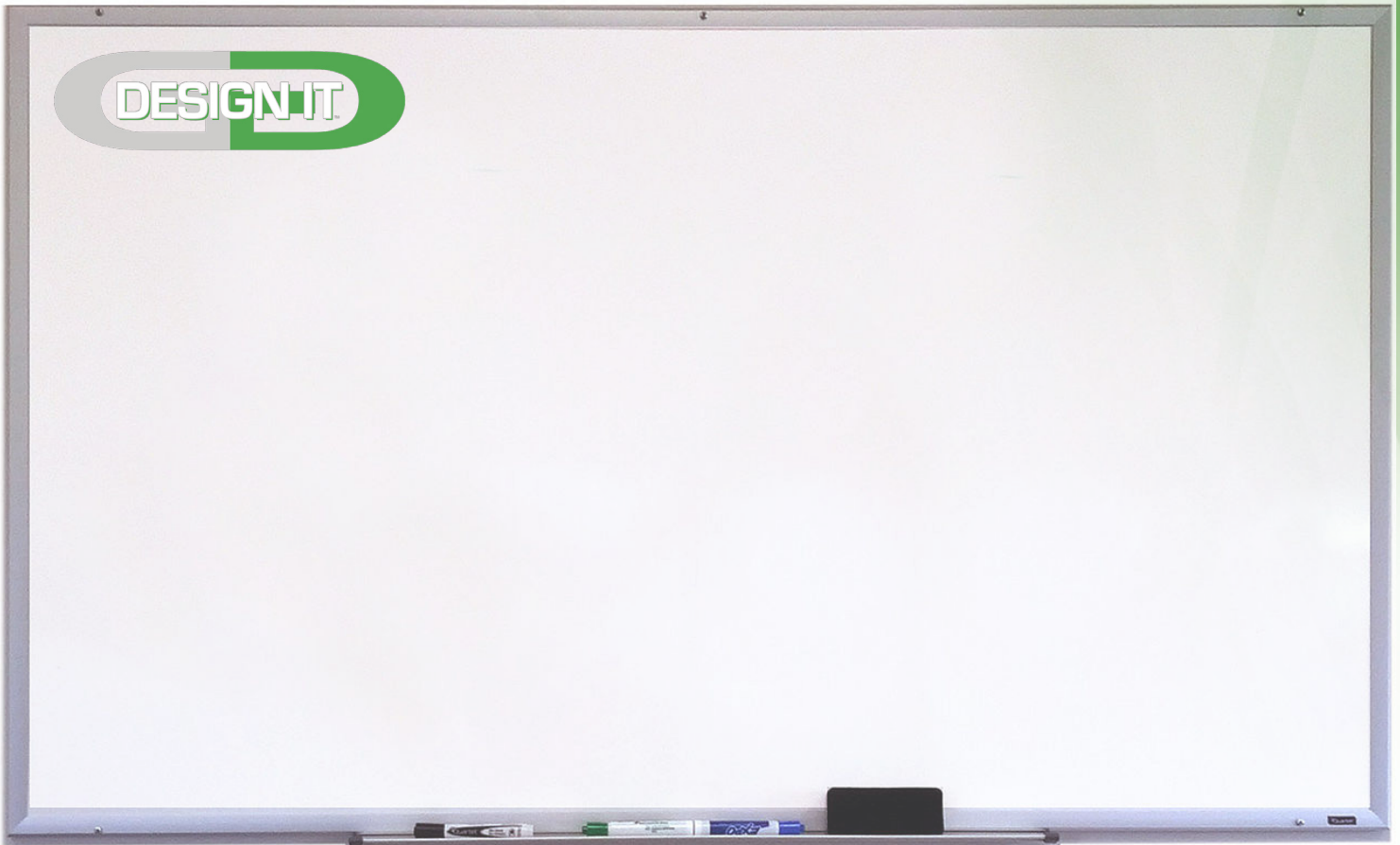
## Heartbeat Packets

Heartbeat packets are sent out of each monitoring port. If the heartbeat packets are not received from either direction, then Bypass Mode takes effect. Heartbeat packets are never sent on the live network.

### Have Questions?

sales@garlandtechnology.com  
+716.242.8500  
garlandtechnology.com

# High Availability Solution



## Part Numbers and Ordering Information •

Supports all Cisco  
ASA/FirePower  
NGFW's and IPS.



### Garland Technology Ordering Information:

Part Number	Description
1U Integrated Bypass Systems:	
INT1G8CCBP	1U Integrated Copper to Copper Bypass TAP (2) 100/1000 Copper TAP Ports (A, B) (6) 100/1000 Copper Monitoring Ports (C - H) Monitoring Ports C - F support Breakout, Bypass modes Monitoring Ports G - H support Breakout, Aggregation modes
INT1G8MCBP	1U Integrated Multi-Mode to Copper Bypass TAP (2) 1000Base-SX Multi-Mode TAP Ports (A, B) (6) 100/1000 Copper Monitoring Ports (C - H) Monitoring Ports C - F support Breakout, Bypass modes Monitoring Ports G - H support Breakout, Aggregation modes
INT1G8SCBP	1U Integrated Single-Mode to Copper Bypass TAP (2) 1000Base - SX Single-Mode TAP Ports (A, B) (6) 100/1000 Copper Monitoring Ports (C - H) Monitoring Ports C - F support Breakout, Bypass modes Monitoring Ports G - H support Breakout, Aggregation modes



This document is for informational purposes only. The information in this document, believed by Garland Technology to be accurate as of the date of publication, is subject to change without notice. Garland Technology assumes no responsibility for any errors or omissions in this document and shall have no obligation to you as a result of having made this document available to you or based upon the information it contains. ©2017 Garland Technology LLC. All Rights Reserved