



INTERIOR PROTECTION FOR CARGO VEHICLES

LEGEND FLEET SOLUTIONS

PRODUCT GUIDE 2017

FORD

/ Safety

/ Innovation

/ Ergonomics



Legend Fleet Solutions' dealer network includes 256 registered dealers, 52 of which are stocking distributors. Legend has dealers servicing all Canadian Provinces, and 48 US States. Legend offers flexible dealer opportunities to accommodate fleet customers wherever they are planning their fleet vehicle upfits.

EXPERTS IN FLEET PROTECTION.

AS THE PREMIER SOLUTION FOR FLEET VEHICLE CARGO-SPACE WALL LINERS, RUBBER MATS AND RIGID FLOORING, WE OFFER THE LIGHTEST, MOST DURABLE AND FASTEST TO INSTALL CUSTOM FIT SOLUTIONS IN THE INDUSTRY, THAT SAVES YOU TIME, FUEL COSTS AND PRESERVE THE VALUE OF YOUR FLEET. TO TOP IT OFF, OUR PRODUCTS DRAMATICALLY IMPROVE THE SAFETY OF YOUR EMPLOYEES AND HELP YOUR CARGO STAY PUT WHILE UNDER WAY.



FORD TRANSIT CONNECT LWB

FORD TRANSIT MWB LR

FORD TRANSIT MWB MR

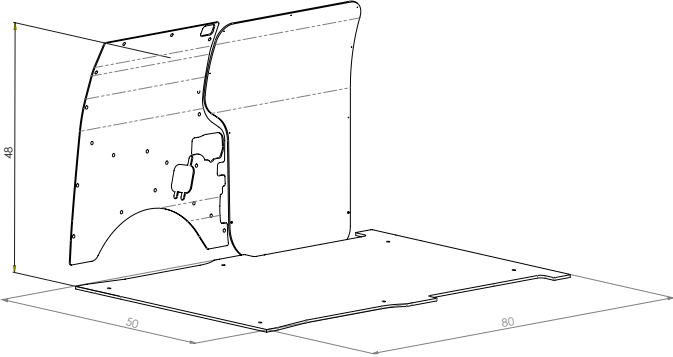
FORD TRANSIT LWB LR

FORD TRANSIT LWB MR

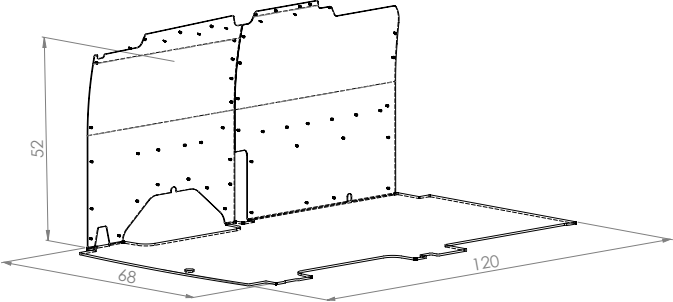
FORD TRANSIT LWB HR

FORD TRANSIT LWB EXT HR

FORD TRANSIT CONNECT LWB

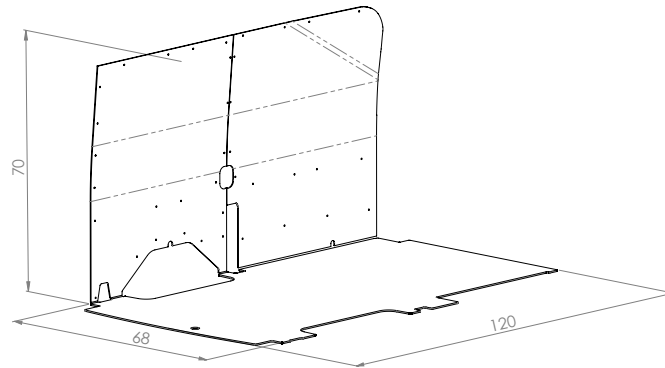


FORD TRANSIT MWB LR

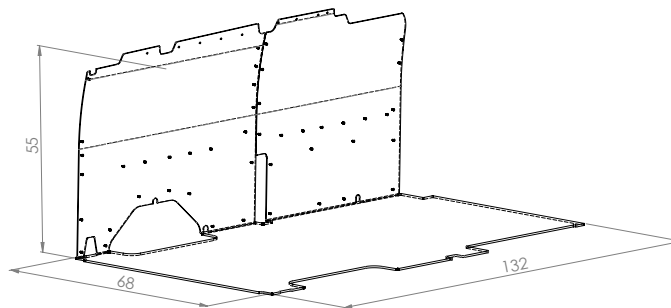


FORD MEASUREMENTS

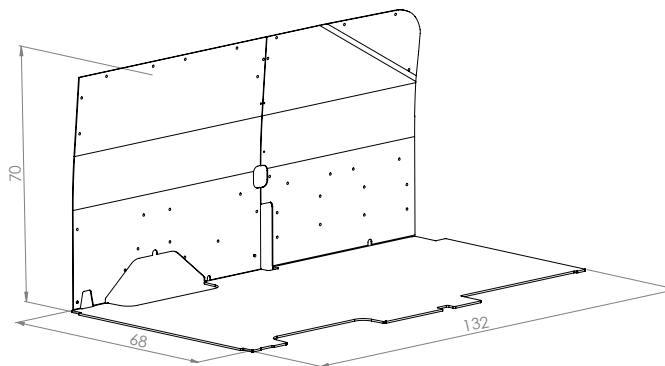
FORD TRANSIT MWB MR



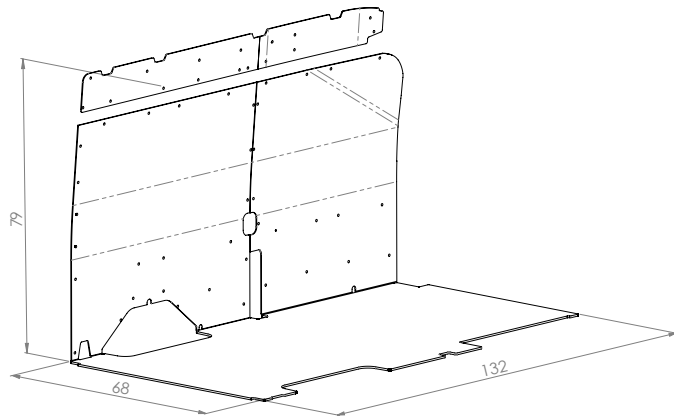
FORD TRANSIT LWB LR



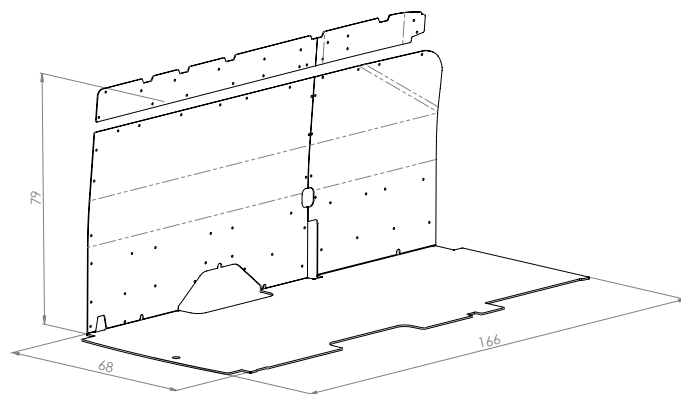
FORD TRANSIT LWB MR



FORD TRANSIT LWB HR



FORD TRANSIT LWB EXT HR



THE PRODUCTS

RIGID FLOORING

RUBBER MATS

VFS SYSTEM

INSULATED DURATHERM LINERS

SILL PLATES

RIGID FLOORING

HD ULTRAGRIP

- Rigid HDPE plastic floor for durability
- Unique rubberized surface for safety
- Maintenance free
- Meets FMVSS 302

Additional Codes

- .1 - dual wheels
- .2 - dual side doors
- .4 - w/OEM door scuff plates

PART NUMBERS

712-162-6441	Transit Connect SWB (105 WB) - 1 pc - available in U.S only
722-162-6441	Transit Connect LWB (121 WB) - 2 pc
722-162-6541	Transit Connect LWB (121 WB) - 1 pc
732-162-6441	Transit MWB (130 WB) - 2 pc
732-162-6641	Transit MWB (130 WB) - 1 pc
742-162-6441	Transit LWB (148 WB) - 3 pc
742-162-6641	Transit LWB (148 WB) - 2 pc
752-162-6441	Transit LWB EXT (148 ext WB) - 3 pc
752-162-6641	Transit LWB EXT (148 ext WB) - 2 pc

RIGID FLOORING

10

STABILIGRIP

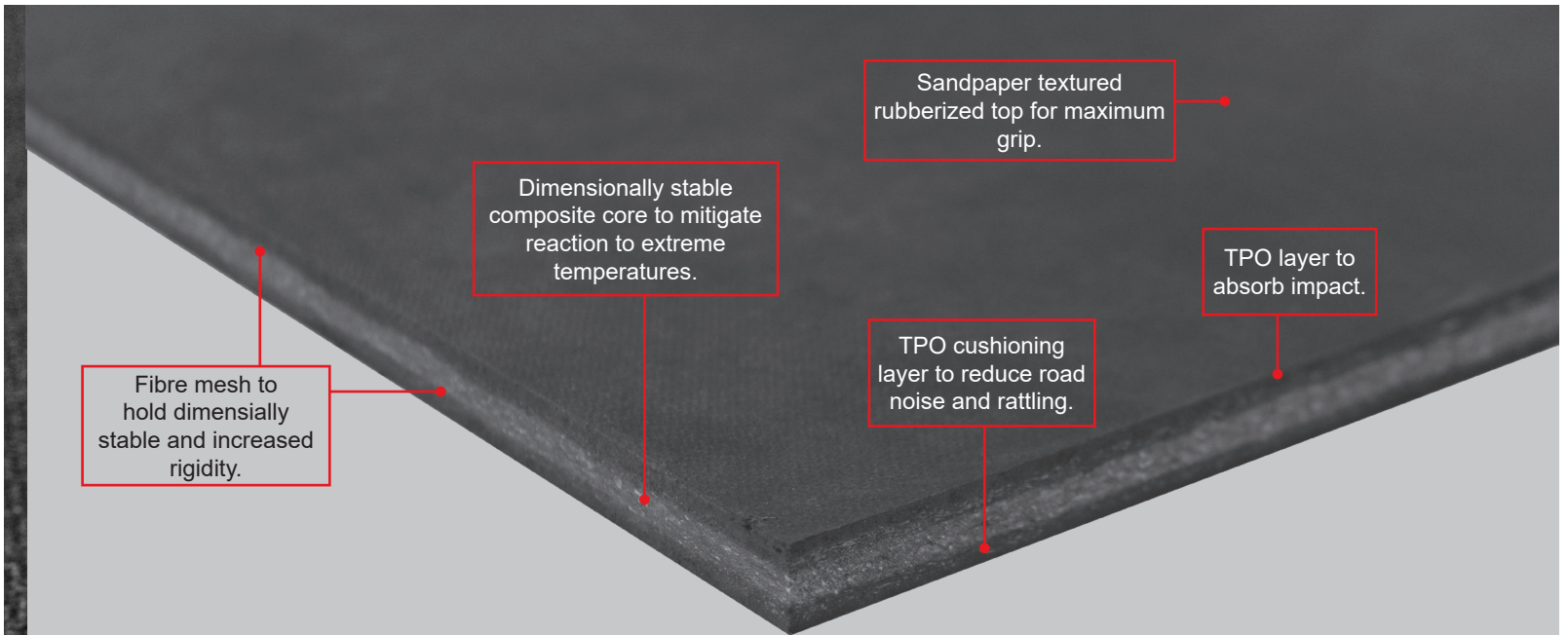
NEW dimensionally-stable floor with improved durability and strength. Built with the toughest proprietary blend of recycled products, its versatility can be used in a wide variety of applications.

Additional Codes

- .1 - dual wheels
- .2 - dual side doors
- .4 - w/OEM door scuff plates

PART NUMBERS

712-135-6441	Transit Connect SWB (105 WB) – 1pc – Available in U.S only
722-135-6441	Transit Connect LWB (121 WB) – 2pc
722-135-6541	Transit Connect LWB (121 WB) – 1pc
722-135-6541	Transit MWB (130 WB) – 2pc
742-135-6441	Transit LWB (148 WB) – 3pc
752-135-6441	Transit LWB Ext (148Ext WB) – 3pc



Fibre mesh to hold dimensionally stable and increased rigidity.

Dimensionally stable composite core to mitigate reaction to extreme temperatures.

Sandpaper textured rubberized top for maximum grip.

TPO cushioning layer to reduce road noise and rattling.

TPO layer to absorb impact.

WHY STABILIGRIP?

- **Efficient** - flat, durable, and safe; making it easy for technicians to work on.
- **Safety** - minimizes slip hazards and chances of shifting cargo.
- **Dimensionally-stable** - will not swell or bubble even in extreme temperatures.
- Impact and puncture resistant – protects floor of van from damage
- Custom fit to each specific vehicle
- Professional looking and clean-easy
- Decreases road noise.
- Non-porous plastic – resists stains and mold
- Fine texture gives grip but allows forklift freight loading
- Economical

RIGID FLOORING

12

HD ULTRAFLOOR

- Heavy duty protection
- Non-porous plastic – resists stains and mold
- Fine texture gives grip but allows forklift loading of freight
- Economical

Additional Codes

- .1 - dual wheels
- .2 - dual side doors
- .4 - w/OEM door scuff plates

PART NUMBERS

712-061-6441	Transit Connect SWB (105 WB) - 1 pc - available in U.S only
722-061-6441	Transit Connect LWB (121 WB) - 2 pc
722-061-6541	Transit Connect LWB (121 WB) - 1 pc
732-061-6441	Transit MWB (130 WB) - 2 pc
732-061-6641	Transit MWB (130 WB) - 1 pc
742-061-6441	Transit LWB (148 WB) - 3 pc
742-061-6641	Transit LWB (148 WB) - 2 pc
752-061-6441	Transit LWB EXT (148 ext WB) - 3 pc
752-061-6641	Transit LWB EXT (148 ext WB) - 2 pc

RIGID FLOORING

13

KK-PLUS

- 11 ply birch plywood; extremely rigid
- Wear resistant phenolic resin coating
- Textured surface for traction and safety
- Very stable-low expansion and contraction

Additional Codes

- .1 - dual wheels
- .2 - dual side doors
- .4 - w/OEM door scuff plates

PART NUMBERS

712-112-4442	Transit Connect SWB (105 WB) - 1 pc - available in U.S only
722-112-4442	Transit Connect LWB (121 WB) - 2 pc
722-112-4542	Transit Connect LWB (121 WB) - 1 pc
732-112-4442	Transit MWB (130 WB) - 2 pc
732-112-4642	Transit MWB (130 WB) - 1 pc
742-112-4442	Transit LWB (148 WB) - 3 pc
742-112-4642	Transit LWB (148 WB) - 2 pc
752-112-4442	Transit LWB EXT (148 ext WB) - 3 pc
752-112-4642	Transit LWB EXT (148 ext WB) - 2 pc

RUBBER MATS

14

AUTOMAT - BAR

- Incredible traction
- One piece mat; no joints
- Heavy duty

Additional Codes

- .1 - dual wheels
- .2 - dual side doors
- .4 - w/OEM door scuff plates

PART NUMBERS

712-043-7521	Transit Connect SWB (105 WB) - 1 pc - available in U.S only
722-043-7521	Transit Connect LWB (121 WB) - 1 pc
732-043-7624	Transit MWB (130 WB) - 1 pc
742-043-7321	Transit LWB (148 WB) - 1 pc
752-043-7021	Transit LWB EXT (148 ext WB) - 1 pc

RUBBER MATS

ARMORMAT

- Toughest mat on the market
- Suitable for wet or oily applications
- Tread plate finish for aggressive traction

Additional Codes

- .1 - dual wheels
- .2 - dual side doors
- .4 - w/OEM door scuff plates

PART NUMBERS

712-111-7521	Transit Connect SWB (105 WB) - 1 pc - available in U.S only
722-111-7521	Transit Connect LWB (121 WB) - 1 pc
732-111-7521	Transit MWB (130 WB) - 3 pc
742-111-7521	Transit LWB (148 WB) - 3 pc
752-111-7521	Transit LWB EXT (148 ext WB) - 4 pc

ALL NEW VAN FLOORING SYSTEM

16

LEGEND VFS

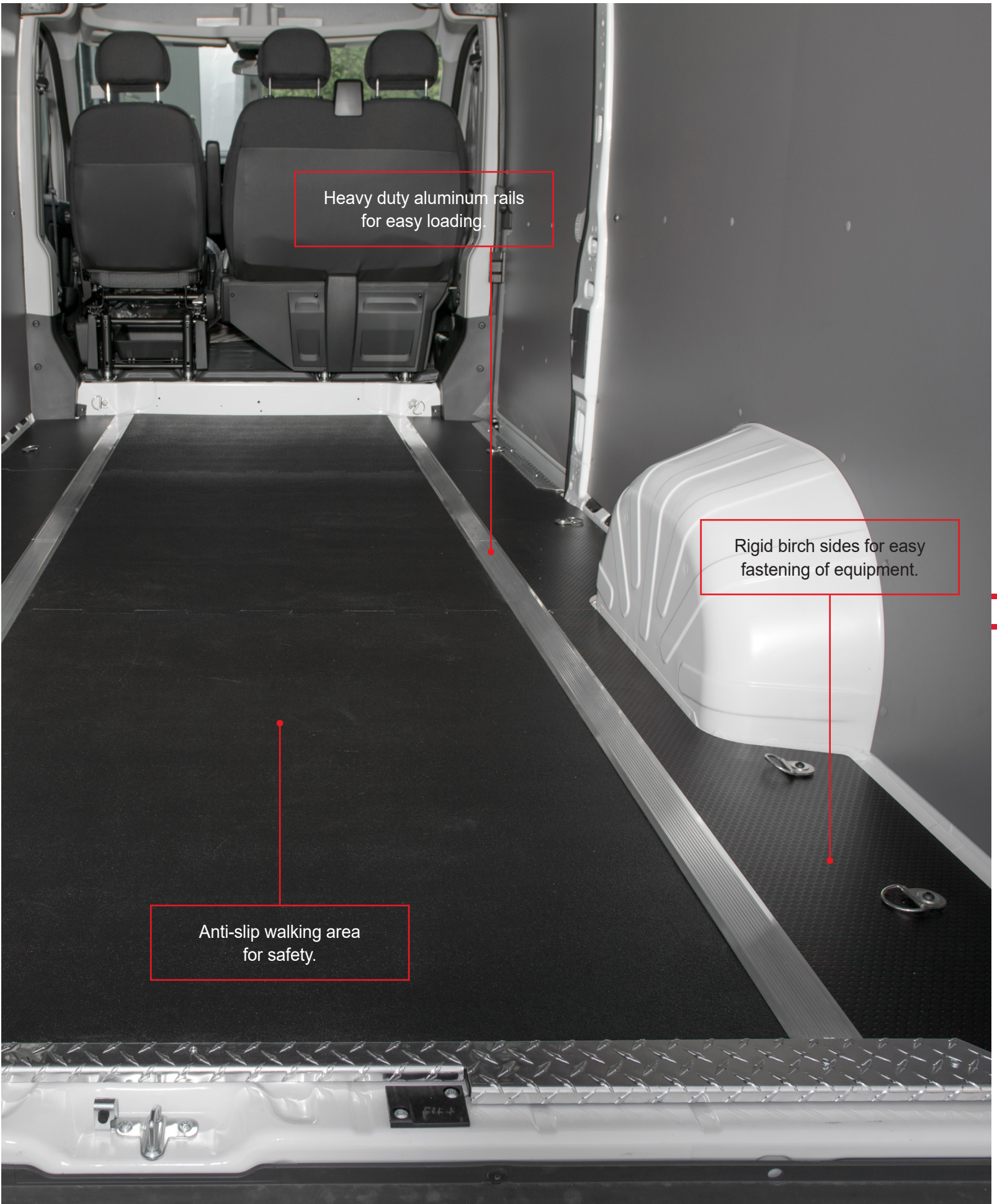
PART NUMBERS

712-045-0040	Transit Connect SWB (105 WB) - available in U.S only
722-045-0040	Transit Connect LWB (121 WB)
732-045-0040	Transit MWB (130 WB)
742-045-0040	Transit LWB (148 WB)
752-045-0040	Transit LWB EXT (148 ext WB)

Additional Codes

- .1 - dual wheels
- .2 - dual side doors
- .4 - w/OEM door scuff plates






Heavy duty aluminum rails
for easy loading.

Rigid birch sides for easy
fastening of equipment.

Anti-slip walking area
for safety.



“THE DIFFERENCE IN MY VEHICLES WITH AND WITHOUT LEGEND PRODUCTS IS NIGHT AND DAY. THE RIDE IS QUIETER, THE TEMPERATURE IS MODERATED, THE VEHICLE IS PROTECTED, AND IT FINISHES THE VEHICLE WITH A CLEAN PROFESSIONAL LOOK. I RECOMMEND LEGEND PRODUCTS TO EVERY SINGLE ONE OF MY CLIENTS, AND WILL CONTINUE TO DO SO.”



INSULATED DURATHERM WALL LINERS

20

INSULATED DURATHERM WALL LINER

- Interior protection
- Sound deadening
- Light weight
- Thermal barrier
- Precision cut
- Easy install
- Available in white and grey

Additional Codes

.LR - Low Roof

.MR - Medium Roof

.HR - High Roof

.2 - Dual Side Doors

PART NUMBERS

724-114-2613	Transit Connect LWB (121 WB) - grey
724-114-2614	Transit Connect LWB (121 WB) - white
734-114-2613	Transit MWB (130 WB) - grey
734-114-2614	Transit MWB (130 WB) - white
744-114-2613	Transit LWB (148 WB) - grey
744-114-2614	Transit LWB (148 WB) - white
754-114-2613	Transit LWB EXT (148 ext WB) - grey
754-114-2614	Transit LWB EXT (148 ext WB) - white

INSULATED DURATHERM CEILING LINERS

INSULATED DURATHERM CEILING LINER

- Increases resale value

Additional Codes

.LR - Low Roof
.MR - Medium Roof
.HR - High Roof
.3 - Side Barn Doors

PART NUMBERS

725-114-2613	Transit Connect LWB (121 WB) - grey
725-114-2614	Transit Connect LWB (121 WB) - white
735-114-2613	Transit MWB (130 WB) - grey
735-114-2614	Transit MWB (130 WB) - white
745-114-2613	Transit LWB (148 WB) - grey
745-114-2614	Transit LWB (148 WB) - white
755-114-2613	Transit LWB EXT (148 ext WB) - grey
755-114-2614	Transit LWB EXT (148 ext WB) - white

INSULATED DURATHERM DOOR LINERS

22



INSULATED DURATHERM DOOR LINER

Increases resale value

Additional Codes

.LR - Low Roof

.MR - Medium Roof

.HR - High Roof

.2 - Dual Side Doors

PART NUMBERS

723-114-2613 Transit Connect LWB (121 WB) - grey

723-114-2614 Transit Connect LWB (121 WB) - white

703-114-2613.LR Transit Low Roof - grey

703-114-2614.LR Transit Low Roof - white

703-114-2613.MR Transit Medium Roof - grey

703-114-2614.MR Transit Medium Roof - white

703-114-2613.MR Transit High Roof - grey

703-114-2614.MR Transit High Roof - white



SILL PLATES

23

TOP SILL

- Neat transition between wall liner and ceiling liner
- Precut formed aluminum for strength
- Light weight

SILL PLATES

24

SILL PLATES

- Side and rear sill plates
- Aluminum checker plate for high grip/high wear
- Custom cut and formed edge protection
- Professional finish

PART NUMBERS

716-151-1010	Transit Connect SWB (105 WB) - Side sills - available in U.S only
718-151-1010	Transit Connect SWB (105 WB) - Rear sill - available in U.S only
726-151-1010	Transit Connect LWB (121 WB) - Side sills
728-151-1010	Transit Connect LWB (121 WB) - Rear sills
706-151-1010	Transit Side Door Sill
706-151-1011.2	Transit Side Door Sill - Driver Side
708-151-1010	Transit Rear Door Sill



SILL PLATES

25



TRANSIT DOORWAY THRESHOLDS

- Side and rear sill plates
- Custom cut and formed edge protection
- Professional finish

PART NUMBERS

706-151-1011	Transit Side Door Sill - Black Coated
706-151-1011.2	Transit Side Door Sill - Black Coated -Driver Side
708-151-1011	Transit Rear Door Sill - Black Coated



EXPERTS IN FLEET PROTECTION

56957 Hwy 3 West,
Tillsonburg,
ON N4G 4G8

Phone: 519.688.1043
Toll Free: 866.223.2256
Fax: 519.842.7724
info@legendfleet.com

