



# INTERIOR PROTECTION FOR CARGO VEHICLES

**LEGEND** FLEET SOLUTIONS

---

PRODUCT GUIDE 2017

**NISSAN**

---

/ Safety

/ Innovation

/ Ergonomics



Legend Fleet Solutions' dealer network includes 256 registered dealers, 52 of which are stocking distributors. Legend has dealers servicing all Canadian Provinces, and 48 US States. Legend offers flexible dealer opportunities to accommodate fleet customers wherever they are planning their fleet vehicle upfits.



**EXPERTS IN FLEET PROTECTION.**

**AS THE PREMIER SOLUTION FOR FLEET VEHICLE CARGO-SPACE WALL LINERS, RUBBER MATS AND RIGID FLOORING, WE OFFER THE LIGHTEST, MOST DURABLE AND FASTEST TO INSTALL CUSTOM FIT SOLUTIONS IN THE INDUSTRY, THAT SAVES YOU TIME, FUEL COSTS AND PRESERVE THE VALUE OF YOUR FLEET. TO TOP IT OFF, OUR PRODUCTS DRAMATICALLY IMPROVE THE SAFETY OF YOUR EMPLOYEES AND HELP YOUR CARGO STAY PUT WHILE UNDER WAY.**



**NISSAN MEASUREMENTS**

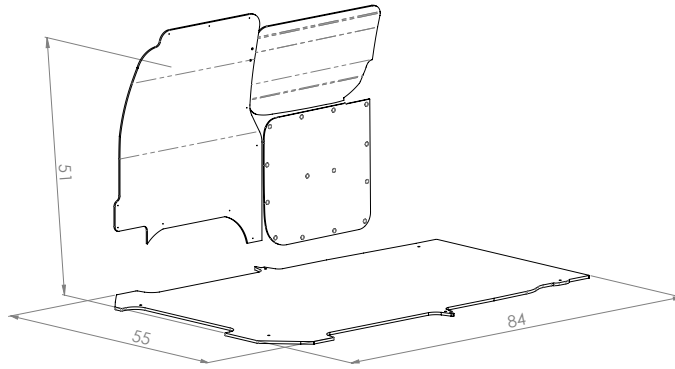
NV 200

NV LOW ROOF

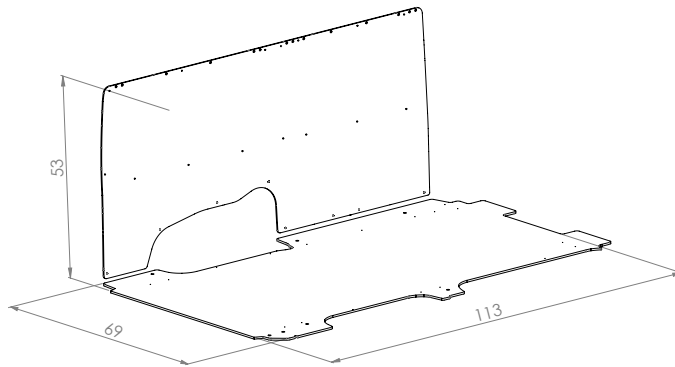
NV HIGH ROOF

## NV 200

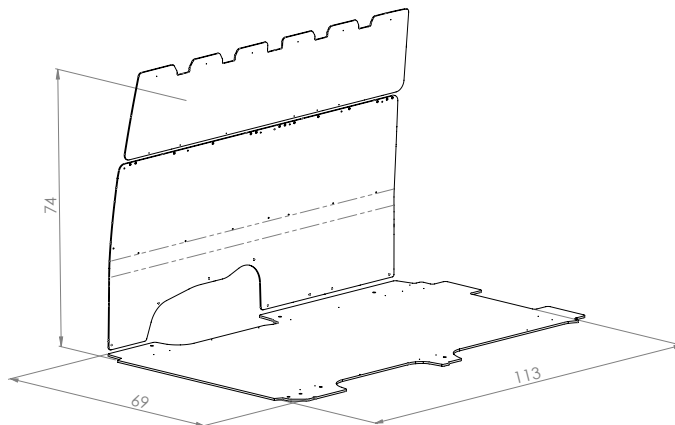
## NISSAN MEASUREMENTS



## NV LOW ROOF



## NV HIGH ROOF





**THE PRODUCTS**

**RIGID FLOORING**

**RUBBER MATS**

**VFS SYSTEM**

**LINERS**

**SILL PLATES**





## RIGID FLOORING

7

### HD ULTRAGRIP

- Rigid HDPE plastic floor for durability
- Unique rubberized surface for safety
- Maintenance free
- Meets FMVSS 302

#### PART NUMBERS

532-162-6441	Nissan NV200 (115) - 2 pc
532-162-6541	Nissan NV200 (115) - 1 pc
512-162-6441	Nissan NV (140 WB) - 2 pc
512-162-6641	Nissan NV (140 WB) - 1 pc



## RIGID FLOORING

8

### STABILIGRIP

NEW dimensionally-stable floor with improved durability and strength. Built with the toughest proprietary blend of recycled products, its versatility can be used in a wide variety of applications.

#### Additional Codes

.1 - dual wheels

.2 - dual side doors

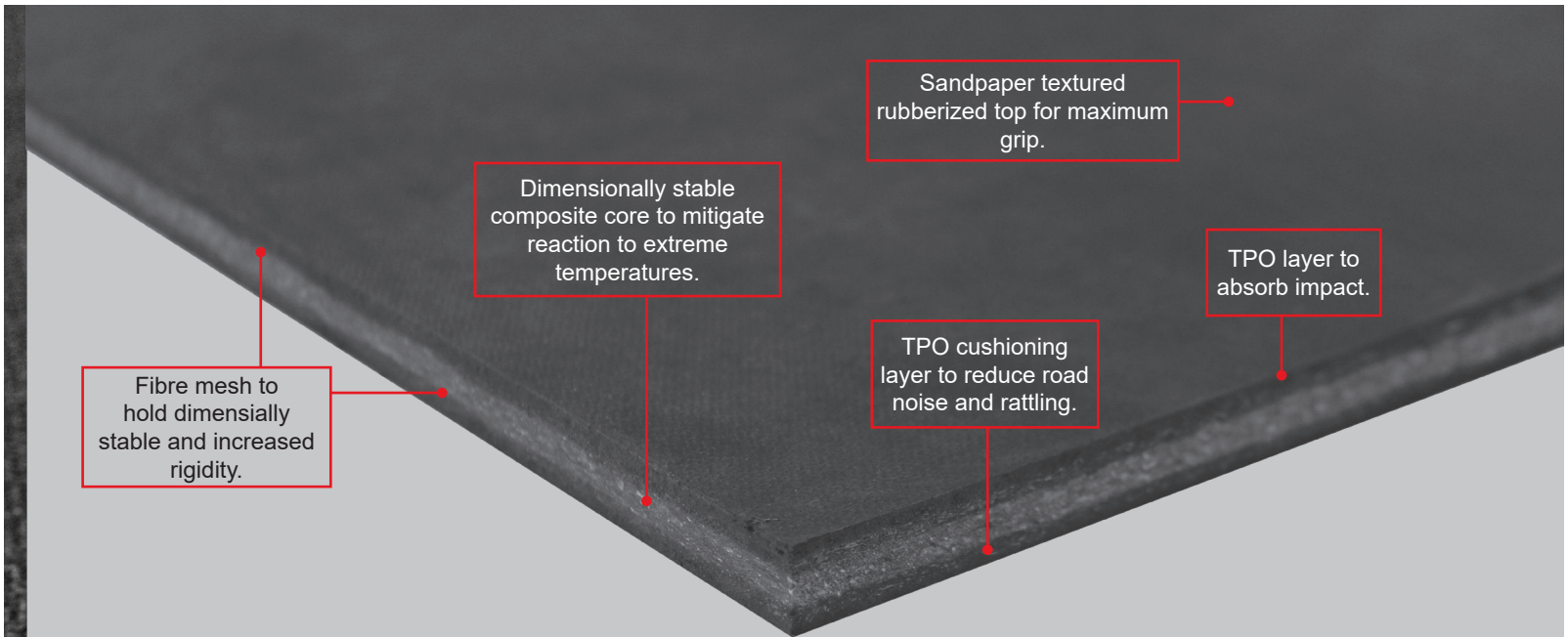
#### PART NUMBERS

532-135-6441	Nissan NV200 (115) - 2 pc
--------------	---------------------------

532-135-6541	Nissan NV200 (115) - 1 pc
--------------	---------------------------

512-135-6441	Nissan NV (140 WB) - 2 pc
--------------	---------------------------





Fibre mesh to hold dimensionally stable and increased rigidity.

Dimensionally stable composite core to mitigate reaction to extreme temperatures.

Sandpaper textured rubberized top for maximum grip.

TPO cushioning layer to reduce road noise and rattling.

TPO layer to absorb impact.

## WHY STABILIGRIP?

- **Efficient** - flat, durable, and safe; making it easy for technicians to work on.
- **Safety** - minimizes slip hazards and chances of shifting cargo.
- **Dimensionally-stable** - will not swell or bubble even in extreme temperatures.
- Impact and puncture resistant – protects floor of van from damage
- Custom fit to each specific vehicle
- Professional looking and clean-easy
- Decreases road noise.
- Non-porous plastic – resists stains and mold
- Fine texture gives grip but allows forklift freight loading
- Economical



## RIGID FLOORING

10

### HD ULTRAFLOOR

- Heavy duty protection
- Non-porous plastic – resists stains and mold
- Fine texture gives grip but allows forklift loading of freight
- Economical

#### PART NUMBERS

532-061-6441	Nissan NV200 (115) - 2 pc
532-061-6541	Nissan NV200 (115) - 1 pc
512-061-6441	Nissan NV (140 WB) - 2 pc
512-061-6641	Nissan NV (140 WB) - 1 pc



**KK-PLUS**

- 11 ply birch plywood; extremely rigid
- Wear resistant phenolic resin coating
- Textured surface for traction and safety
- Very stable-low expansion and contraction

**PART NUMBERS**

532-112-4442	Nissan NV200 (115) - 2 pc
532-112-4542	Nissan NV200 (115) - 1 pc
512-112-4442	Nissan NV (140 WB) - 2 pc
512-112-4642	Nissan NV (140 WB) - 1 pc



## RUBBER MATS

12

### AUTOMAT - BAR

- Incredible traction
- One piece mat; no joints
- Heavy duty

#### PART NUMBERS

532-043-7521	Nissan NV200 (115) - 1 pc
512-043-7621	Nissan NV Cargo (140 WB) - 1 pc





## RUBBER MATS

13

### ARMORMAT

- Toughest mat on the market
- Suitable for wet or oily applications
- Tread plate finish for aggressive traction

#### PART NUMBERS

532-111-7521	Nissan NV200 (115) - 1 pc
512-111-7521	Nissan NV (140 WB) - 2 pc



## ALL NEW VAN FLOORING SYSTEM

14

LEGEND VFS

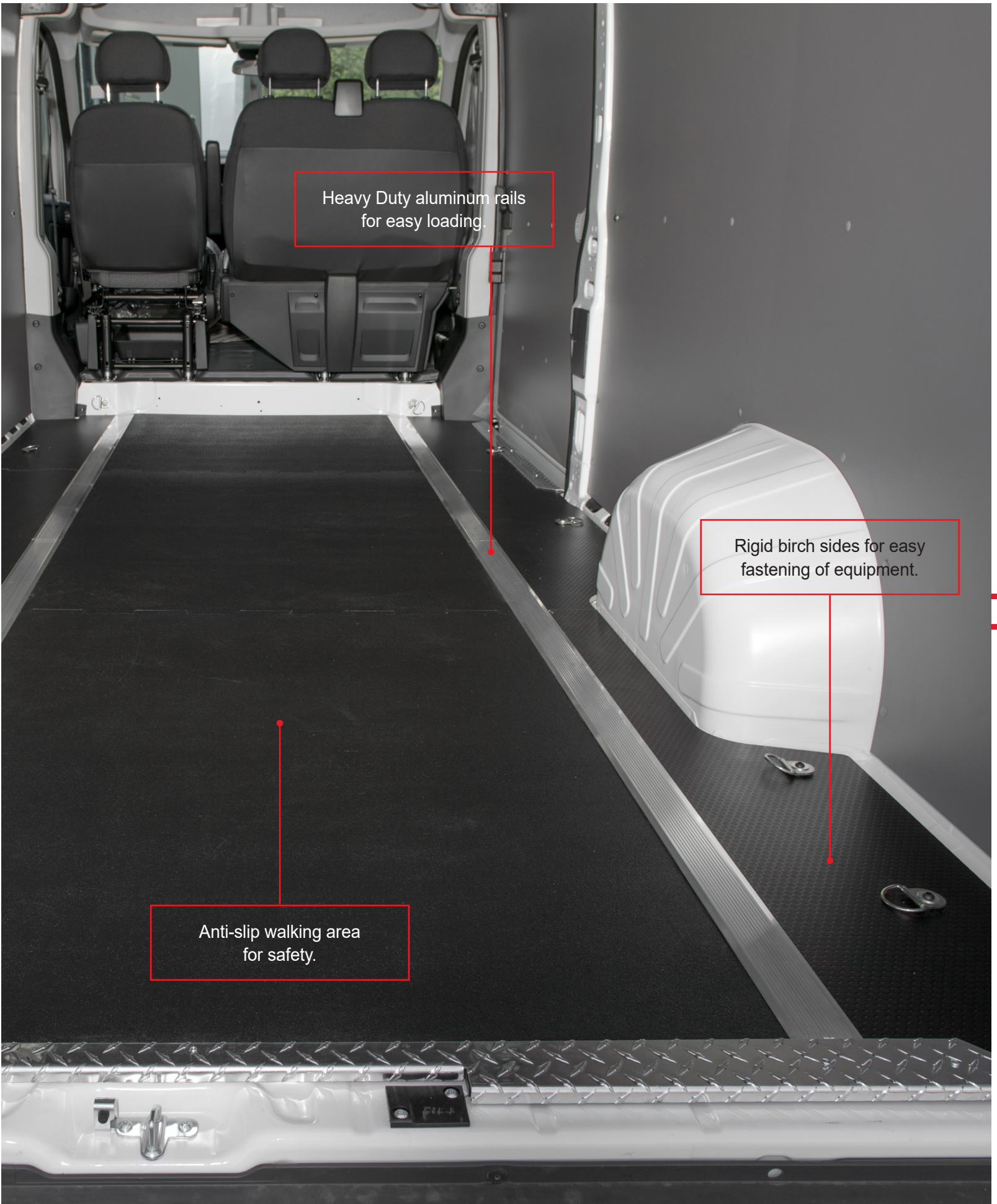
### PART NUMBERS

532-045-0040	Nissan NV200 (115)
512-045-0040	Nissan NV (140 WB)



Sill Plates to protect loading areas.





Heavy Duty aluminum rails  
for easy loading.

Rigid birch sides for easy  
fastening of equipment.

Anti-slip walking area  
for safety.





“THE DIFFERENCE IN MY VEHICLES WITH AND WITHOUT LEGEND PRODUCTS IS NIGHT AND DAY. THE RIDE IS QUIETER, THE TEMPERATURE IS MODERATED, THE VEHICLE IS PROTECTED, AND IT FINISHES THE VEHICLE WITH A CLEAN PROFESSIONAL LOOK. I RECOMMEND LEGEND PRODUCTS TO EVERY SINGLE ONE OF MY CLIENTS, AND WILL CONTINUE TO DO SO.”





## WALL LINERS

18

### DURATHERM

- Interior protection
- Sound deadening
- Light weight
- Thermal barrier
- Precision cut
- Easy install
- Available in white and grey

#### PART NUMBERS

534-114-2613	Nissan NV200 (115) - grey
534-114-2614	Nissan NV200 (115) - white
514-114-2613	Nissan NV (140 WB) - grey - low roof
514-114-2614	Nissan NV (140 WB) - white - low roof
524-114-2613	Nissan NV (140 WB) - grey - high roof
524-114-2614	Nissan NV (140 WB) - white - high roof





## CEILING LINERS

### CEILING LINER

- 5/6 Durable, scratch resistant plastic
- Increases resale value
- Cut to fit

#### PART NUMBERS

535-114-2613	Nissan NV200 (115) - grey
535-114-2614	Nissan NV200 (115) - white
515-114-2613	Nissan NV (140 WB) - grey - low roof
515-114-2614	Nissan NV (140 WB) - white - low roof
525-114-2613	Nissan NV (140 WB) - grey - high roof
525-114-2614	Nissan NV (140 WB) - white - high roof

## SILL PLATES

20

### SILL PLATES

- Side and rear sill plates
- Aluminum checker plate for high grip/high wear
- Custom cut and formed edge protection
- Professional finish

#### PART NUMBERS

006-151-1010	Side Sill
008-151-1010	Rear Sill





## SILL PLATES

21

### TOP SILL

- Neat transition between wall liner and ceiling liner
- Precut formed aluminum for strength
- Light weight



---

**EXPERTS IN FLEET PROTECTION**

---

56957 Hwy 3 West,  
Tillsonburg,  
ON N4G 4G8

---

Phone: 519.688.1043  
Toll Free: 866.223.2256  
Fax: 519.842.7724  
[info@legendfleet.com](mailto:info@legendfleet.com)

---

