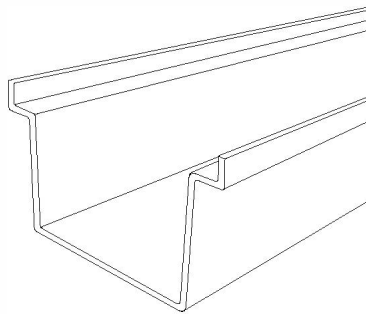
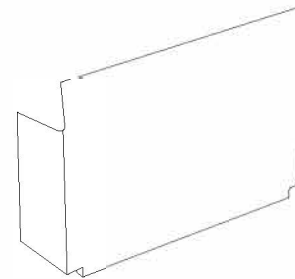


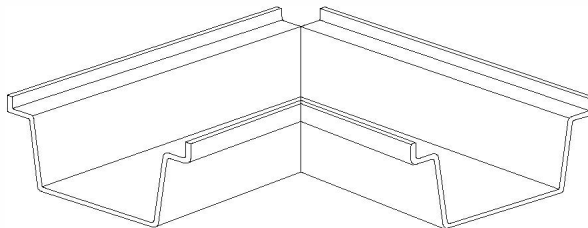
| TABLE | | | | |
|-------------|----|-----|----|--------|
| Product Ref | X | Y | Z | Length |
| CFD105 | 50 | 100 | 15 | 2500 |
| CFD107 | 75 | 100 | 15 | 2500 |
| CFD155 | 50 | 150 | 15 | 2500 |
| CFD157 | 75 | 150 | 15 | 2500 |
| CFD205 | 50 | 200 | 15 | 2500 |
| CFD207 | 75 | 200 | 15 | 2500 |



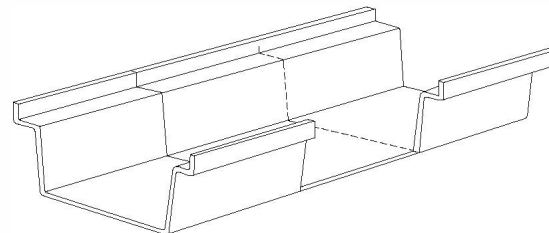
Tray



Stop-end



Corner Section



T-Section

Product Reference: Contour FDT Floor Ducting

Manufacturer: Contour Casings, Stafford Park 15, Telford, TF3 3BB.

Material Specification: Tray section formed from 22-gauge hot-dipped galvanised steel to BS 2989. Coverboard consists of 12mm plywood to BS 1203: 1979.

Sizes: Standards lengths 2500mm. Standard widths 100mm, 150mm, 200mm. Widths to suit screed depths of 50mm & 75mm. Corner/T-Sections supplied in perforated 1250mm length, to be separated on site. Each leg is 625mm long, forming a 90° angle or variable T-Section.

Thermal Insulation: Achieved through application of propriety slit-tube pipe sleeves or loose insulation.

Sound Insulation: Gaps to be sealed to eliminate noise in a sound resistant floor.

Accessories: Corner/T-Section, Stop-ends, Plywood Lids.

Method of Jointing: Tray sections butted together, plywood boards staggered over joints.

Contour Heating Products Ltd
 Stafford Park 15
 Telford
 TF3 3BB
 Tel: 01952 290498
 Email: sales@contourheating.com
 Web: www.contourheating.com