

# Technical information & specifications

## DeepClean LST radiator size information and output performance data

**STANDARD**

**FLOOR MOUNTED**

**GRADIENT TOP**

**Specification summary:**

**Manufacture:**

- 1.5mm Zintec steel
- 10mm Radius edges / bullnose corners
- Patented full height front access door with hinge (Pat. No. 2 410 544)
- 5.5mm Punched grille
- Cut-outs programmed into manufacture
- External TRV apertures available

**Sizes:**

- Single casing length 500mm to 2000mm
- Single casing height 580mm to 995mm
- Lengths over 2000mm can be achieved
- Bespoke solutions, extended guards & multiple door units available

**Emitter:**

- Kartell Kompact Radiator

**Valve options available:**

- 9210-13 Standard Internal TRV Kit
- 7463-41 Internal TRV Kit c/w Remote Sensor
- 19330-41 Contour External TRV Kit
- 1935241 Anti-Ligature TRV Kit c/w BTW Shroud
- Rotarad Rotating Valves

**Finish:**

- Polyester powder coated RAL 9003 as standard. Other colour finishes available
- Patented BioCote® anti-microbial agent as standard

**Fixings:**

- All fixings internal
- 6mm Allen key door

		Type 11 (Single Convactor)					
Casings Length (mm)	Rad Length (mm)	Casing Height (mm)	580	680	780	880	980
		Rad Height (mm)	300	400	500	600	750
500	300	Art. Code					
		Watts T50					
600	400	Art. Code	DGFI15806	DGFI16806	DGFI17806	DGFI18806	DGFI19806
		Watts T50	191	246	297	346	392
700	500	Art. Code	DGFI15807	DGFI16807	DGFI17807	DGFI18807	DGFI19807
		Watts T50	239	307	372	433	490
800	600	Art. Code	DGFI15808	DGFI16808	DGFI17808	DGFI18808	DGFI19808
		Watts T50	286	369	446	519	587
900	700	Art. Code		DGFI16809	DGFI17809	DGFI18809	
		Watts T50		430	520	606	
1000	800	Art. Code	DGFI15810	DGFI16810	DGFI17810	DGFI18810	DGFI19810
		Watts T50	334	492	595	692	783
1100	900	Art. Code		DGFI16811	DGFI17811	DGFI18811	
		Watts T50		553	668	779	
1200	1000	Art. Code	DGFI15812	DGFI16812	DGFI17812	DGFI18812	DGFI19812
		Watts T50	476	615	743	865	979
1300	1100	Art. Code		DGFI16813	DGFI17813	DGFI18813	
		Watts T50		676	817	951	
1400	1200	Art. Code	DGFI15814	DGFI16814	DGFI17814	DGFI18814	DGFI19814
		Watts T50	572	738	891	1038	1174
1600	1400	Art. Code	DGFI15816	DGFI16816	DGFI17816	DGFI18816	DGFI19816
		Watts T50	667	860	1040	1211	1370
1800	1600	Art. Code	DGFI15818	DGFI16818	DGFI17818	DGFI18818	DGFI19818
		Watts T50	762	982	1188	1384	1566
2000	1800	Art. Code		DGFI16820	DGFI17820	DGFI18820	DGFI19820
		Watts T50		1105	1337	1557	1762
2200	2000	Art. Code	DGFI15822	DGFI16822	DGFI17822	DGFI18822	
		Watts T50	952	1228	1486	1729	

Heat Outputs to BS EN 442 Certification.

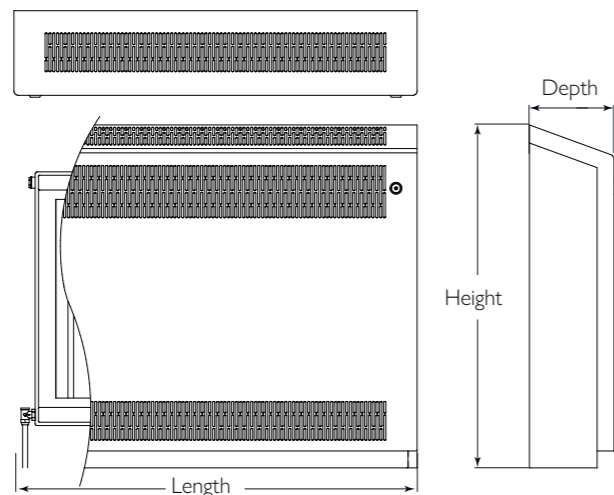
Outputs based on a mean radiator water temperature of 70°C and a room temperature of 20°C - Delta T 50°C

To achieve Delta T60 increase T50 figures by 20.5%

To calculate alternative Delta T requirements please refer to page 29

To convert BTU to Watts multiply by 0.293. To convert Watts to BTU divide by 0.293

Type 21 (Double Panel +)				Type 22 (Double Convactor)				
685	785	885	985	595	695	795	895	995
400	500	600	750	300	400	500	600	750
DGF216806	DGF217806	DGF218806	DGF219806	DGF225906	DGF226906	DGF227906	DGF228906	DGF229906
376	449	516	592	383	486	581	668	756
DGF216807	DGF217807	DGF218807	DGF219807		DGF226907	DGF227907	DGF228907	DGF229907
470	561	645	739		607	726	835	945
DGF216808	DGF217808	DGF218808	DGF219808	DGF225908	DGF226908	DGF227908	DGF228908	DGF229908
564	673	773	887	573	728	870	1002	1133
DGF216809	DGF217809	DGF218809	DGF219809		DGF226909	DGF227909	DGF228909	DGF229909
658	786	902	1035		850	1016	1169	1323
DGF216810	DGF217810	DGF218810	DGF219810	DGF225910	DGF226910	DGF227910	DGF228910	DGF229910
751	898	1031	1183	764	971	1161	1336	1511
DGF216811	DGF217811	DGF218811	DGF219811		DGF226911	DGF227911	DGF228911	DGF229911
845	1010	1160	1331		1092	1306	1503	1700
DGF216812	DGF217812	DGF218812	DGF219812	DGF225912	DGF226912	DGF227912	DGF228912	DGF229912
939	1122	1288	1478	955	1214	1451	1670	1889
	DGF217813	DGF218813			DGF226913	DGF227913	DGF228913	DGF229913
	1234	1417			1335	1597	1837	2078
DGF216814	DGF217814	DGF218814		DGF225914	DGF226914	DGF227914	DGF228914	DGF229914
1127	1346	1546		1146	1456	1741	2004	2266
DGF216816	DGF217816	DGF218816		DGF225916	DGF226916	DGF227916	DGF228916	DGF229916
1315	1570	1803		1337	1699	2032	2338	2644
DGF216818	DGF217818	DGF218818		DGF225918	DGF226918	DGF227918	DGF228918	DGF229918
1502	1795	2016		1528	1941	2322	2671	3022
DGF216820	DGF217820	DGF218820			DGF226920	DGF227920	DGF228920	
1689	2019	2318			2184	2611	3005	
DGF216822	DGF217822	DGF218822		DGF225922	DGF226922	DGF227922	DGF228922	
1878	2243	2576		1910	2426	2902	3339	



**Casing Depths**

Type 11	155mm
Type 21	165mm
Type 22	195mm

**Standard delivery**

- Standard delivery comprises radiator guard of choice, corresponding Kartell emitter (Type 11, Type 21 or Type 22 as specified) and the option of an anti-ligature TRV shroud and 9231-63 Herz External TRV kit (suitable for 15mm copper to copper connection on a two-pipe system) or a 9210-13 Herz internal TRV kit
- An optional Rotarad rotary valve is available
- Alternative Herz fittings can be quoted for and supplied upon request
- **Split delivery option:** to reduce the risk of radiators casings becoming damaged or lost on site, Contour offer split deliveries as standard on all LST and anti-ligature radiators. Radiators and valves are delivered first, then, once the heating system is installed, tested and commissioned, casings are delivered. This virtually eliminates storage problems and the risk of on-site damage.