

Technical information & specifications

DeepClean LST radiator size information and output performance data

STANDARD **FLOOR MOUNTED** **SQUARE TOP**

Specification summary:

Manufacture:

- 1.5mm Zintec steel
- 10mm Radius edges / bullnose corners
- Patented full height front access door with hinge (Pat. No. 2 410 544)
- 5.5mm Punched grille
- Cut-outs programmed into manufacture
- External TRV apertures available

Sizes:

- Single casing length 500mm to 2000mm
- Single casing height 550mm to 950mm
- Lengths over 2000mm can be achieved
- Bespoke solutions, extended guards & multiple door units available

Emitter:

- Kartell Kompact Radiator

Valve options available:

- 9210-13 Standard Internal TRV Kit
- 7463-41 Internal TRV Kit c/w Remote Sensor
- 19330-41 Contour External TRV Kit
- 1935241 Anti-Ligature TRV Kit c/w BTW Shroud
- Rotarad Rotating Valves

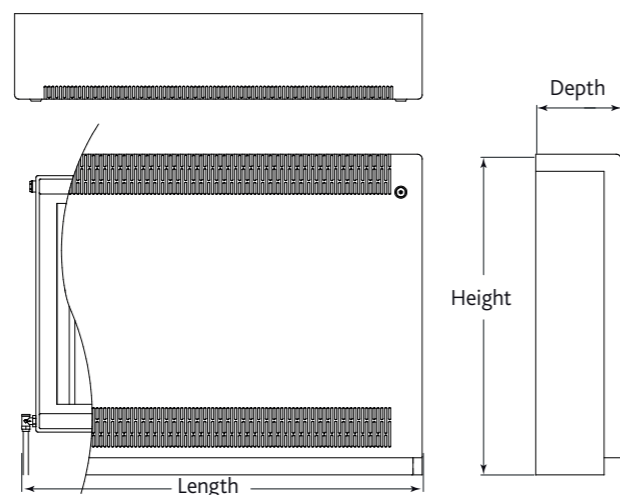
Finish:

- Polyester powder coated RAL 9003 as standard. Other colour finishes available
- Patented BioCote® anti-microbial agent as standard

Fixings:

- All fixings internal
- 6mm Allen key door

		Type 11 (Single Convector)					
Casing Length (mm)	Rad Length (mm)	Casing Height (mm)	550	650	750	850	950
		Rad Height (mm)	300	400	500	600	750
500	300	Art. Code					
		Watts T50					
600	400	Art. Code	DSF115506	DSF116506	DSF117506	DSF118506	DSF119506
		Watts T50	187	241	291	339	383
700	500	Art. Code	DSF115507	DSF116507	DSF117507	DSF118507	DSF119507
		Watts T50	234	300	364	423	479
800	600	Art. Code	DSF115508	DSF116508	DSF117508	DSF118508	DSF119508
		Watts T50	280	361	437	508	575
900	700	Art. Code		DSF116509	DSF117509	DSF118509	
		Watts T50		421	509	592	
1000	800	Art. Code	DSF115510	DSF116510	DSF117510	DSF118510	DSF119510
		Watts T50	326	481	582	677	766
1100	900	Art. Code		DSF116511	DSF117511	DSF118511	
		Watts T50		541	654	761	
1200	1000	Art. Code	DSF115512	DSF116512	DSF117512	DSF118512	DSF119512
		Watts T50	466	601	727	846	957
1300	1100	Art. Code		DSF116513	DSF117513	DSF118513	
		Watts T50		661	799	931	
1400	1200	Art. Code	DSF115514	DSF116514	DSF117514	DSF118514	DSF119514
		Watts T50	559	721	872	1015	1149
1600	1400	Art. Code	DSF115516	DSF116516	DSF117516	DSF118516	DSF119516
		Watts T50	652	842	1017	1184	1349
1800	1600	Art. Code	DSF115518	DSF116518	DSF117518	DSF118518	DSF119518
		Watts T50	745	961	1162	1353	1531
2000	1800	Art. Code		DSF116520	DSF117520	DSF118520	DSF119520
		Watts T50		1081	1308	1522	1724
2200	2000	Art. Code	DSF115520	DSF116522	DSF117522	DSF118522	
		Watts T50	931	1201	1453	1691	



Heat Outputs to BS EN 442 Certification.

Outputs based on a mean radiator water temperature of 70°C and a room temperature of 20°C - Delta T 50°C

To achieve Delta T60 increase T50 figures by 20.5%

To calculate alternative Delta T requirements please refer to page 29

To convert BTU to Watts multiply by 0.293. To convert Watts to BTU divide by 0.293

Type 21 (Double Panel +)				Type 22 (Double Convector)				
650	750	850	950	550	650	750	850	950
400	500	600	750	300	400	500	600	750
DSF216506	DSF217506	DSF218506	DSF219506	DSF225506	DSF226506	DSF227506	DSF228506	DSF229506
368	439	504	579	374	475	568	654	739
DSF216507	DSF217507	DSF218507	DSF219507		DSF226507	DSF227507	DSF228507	DSF229507
460	549	631	723		593	710	817	924
DSF216508	DSF217508	DSF218508	DSF219508	DSF225508	DSF226508	DSF227508	DSF228508	DSF229508
551	658	756	867	560	712	851	980	1109
DSF216509	DSF217509	DSF218509	DSF219509		DSF226509	DSF227509	DSF228509	DSF229509
643	769	882	1012		831	994	1143	1294
DSF216510	DSF217510	DSF218510	DSF219510	DSF225510	DSF226510	DSF227510	DSF228510	DSF229510
735	878	1002	1157	747	949	1135	1307	1478
DSF216511	DSF217511	DSF218511	DSF219511		DSF226511	DSF227511	DSF228511	DSF229511
826	988	1134	1302		1068	1278	1470	1663
DSF216512	DSF217512	DSF218512	DSF219512	DSF225512	DSF226512	DSF227512	DSF228512	DSF229512
918	1097	1260	1446	934	1187	1419	1634	1847
DSF216513	DSF217513	DSF218513			DSF226513	DSF227513	DSF228513	DSF229513
1010	1206	1386			1305	1562	1797	2032
DSF216514	DSF217514	DSF218514		DSF225514	DSF226514	DSF227514	DSF228514	DSF229514
1102	1317	1512		1121	1424	1703	1960	2217
DSF216516	DSF217516	DSF218516		DSF225516	DSF226516	DSF227516	DSF228516	DSF229516
1286	1536	1764		1308	1661	1987	2287	2586
DSF216518	DSF217518	DSF218518		DSF225518	DSF226518	DSF227518	DSF228518	DSF229518
1469	1756	2015		1495	1898	2271	2613	2955
DSF216520	DSF217520	DSF218520			DSF226520	DSF227520	DSF228520	
1652	1975	2267			2136	2554	2939	
DSF216522	DSF217522	DSF218522		DSF225522	DSF226522	DSF227522	DSF228522	
1837	2193	2519		1868	2372	2838	3266	

Casing Depths

Type 11	155mm
Type 21	165mm
Type 22	195mm

Standard delivery

- Standard delivery comprises radiator guard of choice, corresponding Kartell emitter (Type 11, Type 21 or Type 22 as specified) and the option of an anti-ligature TRV shroud and 9231-63 Herz External TRV kit (suitable for 15mm copper to copper connection on a two-pipe system) or a 9210-13 Herz internal TRV kit
- An optional Rotarad rotary valve is available
- Alternative Herz fittings can be quoted for and supplied upon request
- **Split delivery option:** to reduce the risk of radiators casings becoming damaged or lost on site, Contour offer split deliveries as standard on all LST and anti-ligature radiators. Radiators and valves are delivered first, then, once the heating system is installed, tested and commissioned, casings are delivered. This virtually eliminates storage problems and the risk of on-site damage.