

# Technical information & specifications

## DeepClean LST radiator size information and output performance data

**STANDARD**      **WALL MOUNTED**      **GRADIENT TOP**

### Specification summary:

#### Manufacture:

- 1.5mm Zintec steel
- 10mm Radius edges / bullnose corners
- Patented full height front access door with hinge (Pat. No. 2 410 544)
- 5.5mm Punched grille
- Cut-outs programmed into manufacture
- External TRV apertures available

#### Sizes:

- Single casing length 500mm to 2000mm
- Single casing height 480mm to 895mm
- Lengths over 2000mm can be achieved
- Bespoke solutions, extended guards & multiple door units available

#### Emitter:

- Kartell Kompact Radiator

#### Valve options available:

- 9210-13 Standard Internal TRV Kit
- 7463-41 Internal TRV Kit c/w Remote Sensor
- 19330-41 Contour External TRV Kit
- 1935241 Anti-Ligature TRV Kit c/w BTW Shroud
- Rotarad Rotating Valves

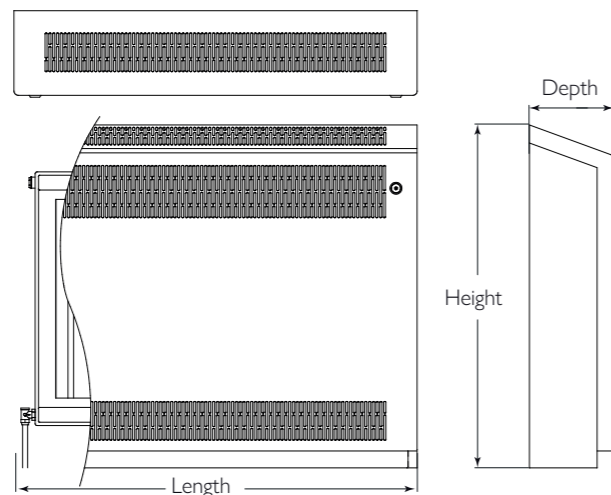
#### Finish:

- Polyester powder coated RAL 9003 as standard. Other colour finishes available
- Patented BioCote® anti-microbial agent as standard

#### Fixings:

- All fixings internal
- 6mm Allen key door

		Type 11 (Single Convactor)					
Casing Length (mm)	Rad Length (mm)	Casing Height (mm)	480	580	680	780	930
		Rad Height (mm)	300	400	500	600	750
500	300	Art. Code					
		Watts T50					
600	400	Art. Code	DGWI14806	DGWI15806	DGWI16806	DGWI17806	DGWI18806
		Watts T50	193	249	300	350	396
700	500	Art. Code	DGWI14807	DGWI15807	DGWI16807	DGWI17807	DGWI18807
		Watts T50	242	311	376	437	495
800	600	Art. Code	DGWI14808	DGWI15808	DGWI16808	DGWI17808	DGWI18808
		Watts T50	289	374	451	525	594
900	700	Art. Code		DGWI15809	DGWI16809	DGWI17809	
		Watts T50		435	526	612	
1000	800	Art. Code	DGWI14810	DGWI15810	DGWI16810	DGWI17810	DGWI18810
		Watts T50	337	497	601	700	792
1100	900	Art. Code		DGWI15811	DGWI16811	DGWI17811	
		Watts T50		559	676	787	
1200	1000	Art. Code	DGWI14812	DGWI15812	DGWI16812	DGWI17812	DGWI18812
		Watts T50	482	621	751	874	989
1300	1100	Art. Code		DGWI15813	DGWI16813	DGWI17813	
		Watts T50		683	826	962	
1400	1200	Art. Code	DGWI14814	DGWI15814	DGWI16814	DGWI17814	DGWI18814
		Watts T50	578	746	901	1049	1187
1600	1400	Art. Code	DGWI14816	DGWI15816	DGWI16816	DGWI17816	DGWI18816
		Watts T50	674	870	1051	1224	1385
1800	1600	Art. Code	DGWI14818	DGWI15818	DGWI16818	DGWI17818	DGWI18818
		Watts T50	771	993	1201	1399	1583
2000	1800	Art. Code		DGWI15820	DGWI16820	DGWI17820	
		Watts T50		1117	1352	1574	
2200	2000	Art. Code	DGWI14822	DGWI15822	DGWI16822	DGWI17822	DGWI18822
		Watts T50	963	1242	1502	1748	1782



Heat Outputs to BS EN 442 Certification.

Outputs based on a mean radiator water temperature of 70°C and a room temperature of 20°C - Delta T 50°C

To achieve Delta T60 increase T50 figures by 20.5%

To calculate alternative Delta T requirements please refer to page 29

To convert BTU to Watts multiply by 0.293. To convert Watts to BTU divide by 0.293

Type 21 (Double Panel +)				Type 22 (Double Convactor)				
585	685	785	935	495	595	695	795	945
400	500	600	750	300	400	500	600	750
DGW215806	DGW216806	DGW217806	DGW218806	DGW224906	DGW225906	DGW226906	DGW227906	DGW228906
380	454	521	598	387	491	587	676	764
DGW215807	DGW216807	DGW217807	DGW218807		DGW225907	DGW226907	DGW227907	DGW228907
475	567	652	748		613	734	844	955
DGW215808	DGW216808	DGW217808	DGW218808	DGW224908	DGW225908	DGW226908	DGW227908	DGW228908
570	680	782	897	579	736	880	1013	1146
DGW215809	DGW216809	DGW217809	DGW218809		DGW225909	DGW226909	DGW227909	DGW228909
665	794	912	1047		859	1027	1182	1337
DGW215810	DGW216810	DGW217810	DGW218810	DGW224910	DGW225910	DGW226910	DGW227910	DGW228910
759	908	1042	1196	772	981	1173	1351	1528
DGW215811	DGW216811	DGW217811	DGW218811		DGW225911	DGW226911	DGW227911	DGW228911
854	1021	1173	1346		1104	1321	1519	1719
DGW215812	DGW216812	DGW217812	DGW218812	DGW224912	DGW225912	DGW226912	DGW227912	DGW228912
949	1134	1302	1495	966	1227	1467	1689	1901
DGW215813	DGW216813	DGW217813			DGW225913	DGW226913	DGW227913	DGW228913
1044	1247	1433			1349	1614	1857	2101
DGW215814	DGW216814	DGW217814		DGW224914	DGW225914	DGW226914	DGW227914	DGW228914
1139	1361	1563		1159	1472	1760	2026	2291
DGW215816	DGW216816	DGW217816		DGW224916	DGW225916	DGW226916	DGW227916	DGW228916
1329	1587	1823		1352	1717	2054	2364	2673
DGW215818	DGW216818	DGW217818		DGW224918	DGW225918	DGW226918	DGW227918	DGW228918
1518	1815	2083		1545	1962	2347	2701	3055
DGW215820	DGW216820	DGW217820			DGW225920	DGW226920	DGW227920	
1708	2041	2344			2208	2640	3038	
DGW215822	DGW216822	DGW217822		DGW224922	DGW225922	DGW226922	DGW227922	
1898	2267	2604		1931	2452	2933	3376	

#### Casing Depths

Type 11	155mm
Type 21	165mm
Type 22	195mm

#### Standard delivery

- Standard delivery comprises radiator guard of choice, corresponding Kartell emitter (Type 11, Type 21 or Type 22 as specified) and the option of an anti-ligature TRV shroud and 9231-63 Herz External TRV kit (suitable for 15mm copper to copper connection on a two-pipe system) or a 9210-13 Herz internal TRV kit
- An optional Rotarad rotary valve is available
- Alternative Herz fittings can be quoted for and supplied upon request
- **Split delivery option:** to reduce the risk of radiators casings becoming damaged or lost on site, Contour offer split deliveries as standard on all LST and anti-ligature radiators. Radiators and valves are delivered first, then, once the heating system is installed, tested and commissioned, casings are delivered. This virtually eliminates storage problems and the risk of on-site damage.