

Technical information & specifications

DeepClean LST radiator size information and output performance data

STANDARD

WALL MOUNTED

SQUARE TOP

Specification summary:

Manufacture:

- 1.5mm Zintec steel
- 10mm Radius edges / bullnose corners
- Patented full height front access door with hinge (Pat. No. 2 410 544)
- 5.5mm Punched grille
- Cut-outs programmed into manufacture
- External TRV apertures available
- Base plate available for wall mounted models

Sizes:

- Single casing length 500mm to 2000mm
- Single casing height 450mm to 850mm
- Lengths over 2000mm can be achieved
- Bespoke solutions, extended guards & multiple door units available

Emitter:

- Kartell Kompact Radiator

Valve options available:

- 9210-13 Standard Internal TRV Kit
- 7463-41 Internal TRV Kit c/w Remote Sensor
- 19330-41 Contour External TRV Kit
- 1935241 Anti-Ligature TRV Kit c/w BTW Shroud
- Rotarad Rotating Valves

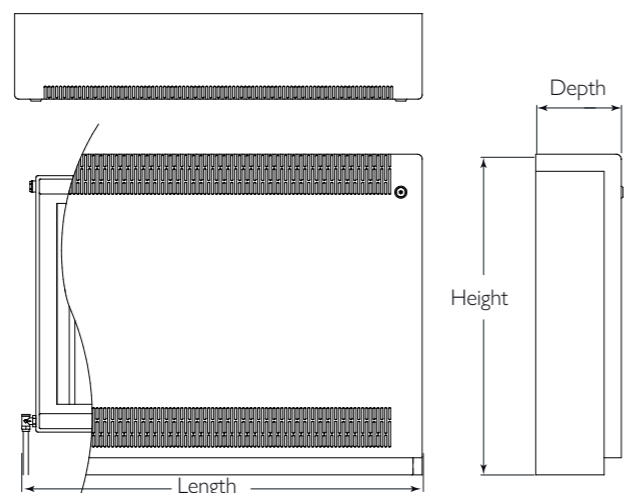
Finish:

- Polyester powder coated RAL 9003 as standard. Other colour finishes available
- Patented BioCote® anti-microbial agent as standard

Fixings:

- All fixings internal
- 6mm Allen key door

		Type 11 (Single Convactor)					
Casing Length (mm)	Rad Length (mm)	Casing Height (mm)	450	550	650	750	900
		Rad Height (mm)	300	400	500	600	750
500	300	Art. Code					
		Watts T50					
600	400	Art. Code	DSW114506	DSW115506	DSW116506	DSW117506	DSW118506
		Watts T50	191	246	297	346	392
700	500	Art. Code	DSW114507	DSW115507	DSW116507	DSW117507	DSW118507
		Watts T50	239	307	372	433	490
800	600	Art. Code	DSW114508	DSW115508	DSW116508	DSW117508	DSW118508
		Watts T50	286	369	446	519	587
900	700	Art. Code		DSW115509	DSW116509	DSW117509	
		Watts T50		430	520	606	
1000	800	Art. Code	DSW114510	DSW115510	DSW116510	DSW117510	DSW118510
		Watts T50	334	492	595	692	783
1100	900	Art. Code		DSW115511	DSW116511	DSW117511	
		Watts T50		553	668	779	
1200	1000	Art. Code	DSW114512	DSW115512	DSW116512	DSW117512	DSW118512
		Watts T50	476	615	743	865	979
1300	1100	Art. Code		DSW115513	DSW116513	DSW117513	
		Watts T50		676	817	951	
1400	1200	Art. Code	DSW114514	DSW115514	DSW116514	DSW117514	DSW118514
		Watts T50	572	738	891	1038	1174
1600	1400	Art. Code	DSW114516	DSW115516	DSW116516	DSW117516	DSW118516
		Watts T50	667	860	1040	1211	1370
1800	1600	Art. Code	DSW114518	DSW115518	DSW116518	DSW117518	DSW118518
		Watts T50	762	982	1188	1384	1566
2000	1800	Art. Code		DSW115520	DSW116520	DSW117520	DSW118520
		Watts T50		1105	1337	1557	1762
2200	2000	Art. Code	DSW114522	DSW115522	DSW116522	DSW117522	
		Watts T50	952	1228	1486	1729	



Heat Outputs to BS EN 442 Certification.

Outputs based on a mean radiator water temperature of 70°C and a room temperature of 20°C - Delta T 50°C

To achieve Delta T60 increase T50 figures by 20.5%

To calculate alternative Delta T requirements please refer to page 29

To convert BTU to Watts multiply by 0.293. To convert Watts to BTU divide by 0.293

Type 21 (Double Panel +)				Type 22 (Double Convactor)				
550	650	750	900	450	550	650	750	900
400	500	600	750	300	400	500	600	750
						DSW226505	DSW227505	
						459	531	
DSW215506	DSW216506	DSW217506	DSW218506	DSW224506	DSW225506	DSW226506	DSW227506	DSW228506
376	449	516	592	383	486	581	668	756
DSW215507	DSW216507	DSW217507	DSW218507		DSW225507	DSW226507	DSW227507	DSW228507
470	561	645	739		607	726	835	945
DSW215508	DSW216508	DSW217508	DSW218508	DSW224508	DSW225508	DSW226508	DSW227508	DSW228508
564	673	773	887	573	728	870	1002	1133
DSW215509	DSW216509	DSW217509	DSW218509		DSW225509	DSW226509	DSW227509	DSW228509
658	786	902	1035		850	1016	1169	1323
DSW215510	DSW216510	DSW217510	DSW218510	DSW224510	DSW225510	DSW226510	DSW227510	DSW228510
751	898	1031	1183	764	971	1161	1336	1511
DSW215511	DSW216511	DSW217511			DSW225511	DSW226511	DSW227511	DSW228511
845	1010	1160			1092	1306	1508	1700
DSW215512	DSW216512	DSW217512	DSW218512	DSW224512	DSW225512	DSW226512	DSW227512	DSW228512
939	1122	1288	1478	955	1214	1451	1670	1889
DSW215513	DSW216513	DSW217513			DSW225513	DSW226513	DSW227513	DSW228513
1032	1234	1417			1335	1597	1837	2078
DSW215514	DSW216514	DSW217514		DSW224514	DSW225514	DSW226514	DSW227514	DSW228514
1127	1346	1546		1146	1456	1741	2004	2266
DSW215516	DSW216516	DSW217516		DSW224516	DSW225516	DSW226516	DSW227516	DSW228516
1315	1570	1803		1337	1699	2032	2338	2644
DSW215518	DSW216518	DSW217518		DSW224518	DSW225518	DSW226518	DSW227518	DSW228518
1502	1795	2061		1528	1941	2322	2671	3022
DSW215520	DSW216520	DSW217520			DSW225520	DSW226520	DSW227520	
1689	2019	2318			2184	2611	3005	
DSW215522	DSW216522	DSW217522		DSW224522	DSW225522	DSW226522	DSW227522	
1878	2243	2576		1910	2426	2902	3339	

Casing Depths

Type 11	155mm
Type 21	165mm
Type 22	195mm

Standard delivery

- Standard delivery comprises radiator guard of choice, corresponding Kartell emitter (Type 11, Type 21 or Type 22 as specified) and the option of an anti-ligature TRV shroud and 9231-63 Herz External TRV kit (suitable for 15mm copper to copper connection on a two-pipe system) or a 9210-13 Herz internal TRV kit
- An optional Rotarad rotary valve is available
- Alternative Herz fittings can be quoted for and supplied upon request
- **Split delivery option:** to reduce the risk of radiators casings becoming damaged or lost on site, Contour offer split deliveries as standard on all LST and anti-ligature radiators. Radiators and valves are delivered first, then, once the heating system is installed, tested and commissioned, casings are delivered. This virtually eliminates storage problems and the risk of on-site damage.