

GP Batteries

Data Sheet

Rechargeable Nickel Metal Hydride Battery

Model: GP450LAH

Revision History

Revision	Date	Initiator	Change Description
00	2011-03-16	Jackie Yu	To replace ZRS5083, add rated capacity
01	2013-06-11	Jackie Yu	New form
02	2014-05-28	YS Liu	New form

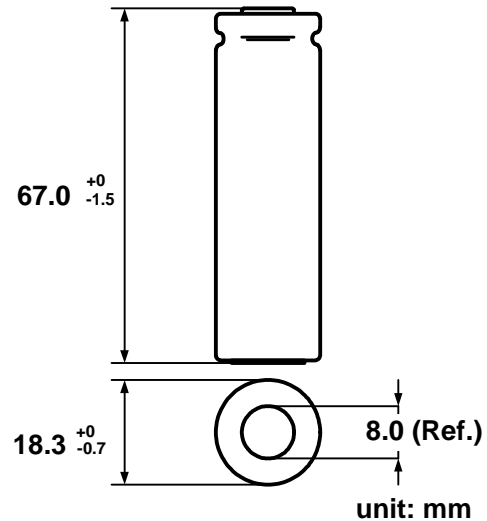
Prepared by	Checked by	Approver
RD Engineer	RD Manager	SM
YS Liu	Jackie Yu	Vivian Fong
Date: 2014-5-28	Date: 2014-5-28	Date: 2014-5-28

GP International Limited

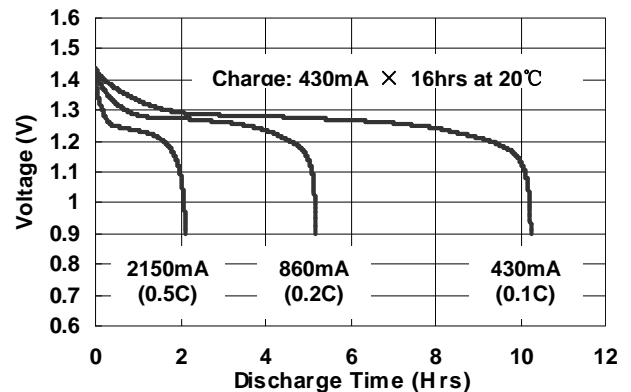
Gold Peak Building, 8/F, 30 Kwai Wing Road,
Kwai Chung, New Territories, Hong Kong.
Tel: (852) 2484 3333 Fax: (852) 24805912
Email: gpii@goldpeak.com
Website: <http://www.gpbatteries.com>

Model No.: GP450LAH

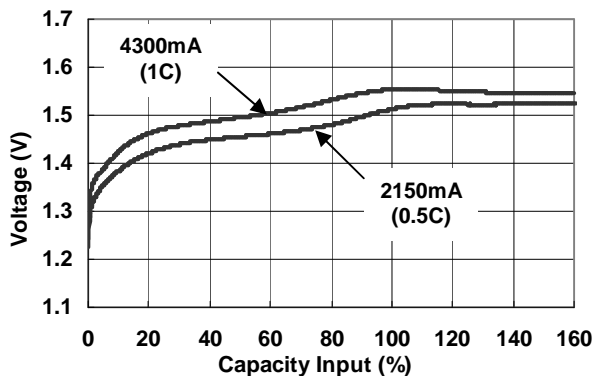
Type	: Rechargeable Nickel Metal Hydride Cylindrical Cell
Nominal Dimension (with Sleeve)	: $\Phi = 18.3\text{mm}$ H = 67.0mm
Applications	: Recommended discharge current: 430mA to 12900mA
Nominal Voltage	: 1.2V
Capacity	: Nominal: 4300mAh Minimum: 4300mAh Typical: 4500mAh When discharged at 860mA to 1.0V at 20°C
Charging Condition	: 430mA for 16hrs at 20°C
Fast Charge	: 2150mA to 4300mAh (0.5C to 1C) charge termination control recommended control parameters: - ΔV : 0-5mV DT/dt : 0.8°C/min(0.5 to 0.9C) 0.8 - 1°C/min(1C) TCO : 45-50°C Timer : 105% nominal input (for ref. only)
Service Life	: >500 cycles(IEC standard)
Continuous Overcharge	: 430mA maximum current for 1 year No conspicuous deformation and/or no leakage
Weight	: 63.0g
Internal Resistance	: Average 16 m Ω upon fully charged (Max. 25 m Ω) at 1000Hz
Max. Charging Voltage	: 1.5V at 430mA charging
Ambient Temperature Range	: Standard Charging : 0 to 45°C Fast Charging : 10 to 45°C Discharge : -20 to 50°C Storage : -20 to 35°C Storage (1 week) : -20 to 60°C



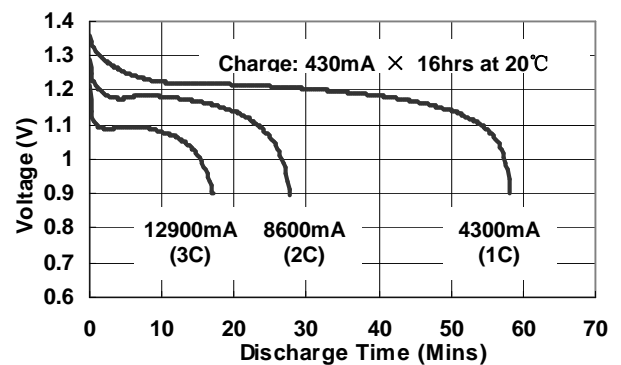
Low Rate Discharge



Fast Charge (Charge Control Required)



High Rate Discharge



The information (subject to change without prior notice) contained in this document is for reference only and should not be used as a basis for product guarantee or warranty. For applications other than those described here, please consult your nearest GP Sales and Marketing Office or Distributors.