

8 7 6 5 4 3 2 1

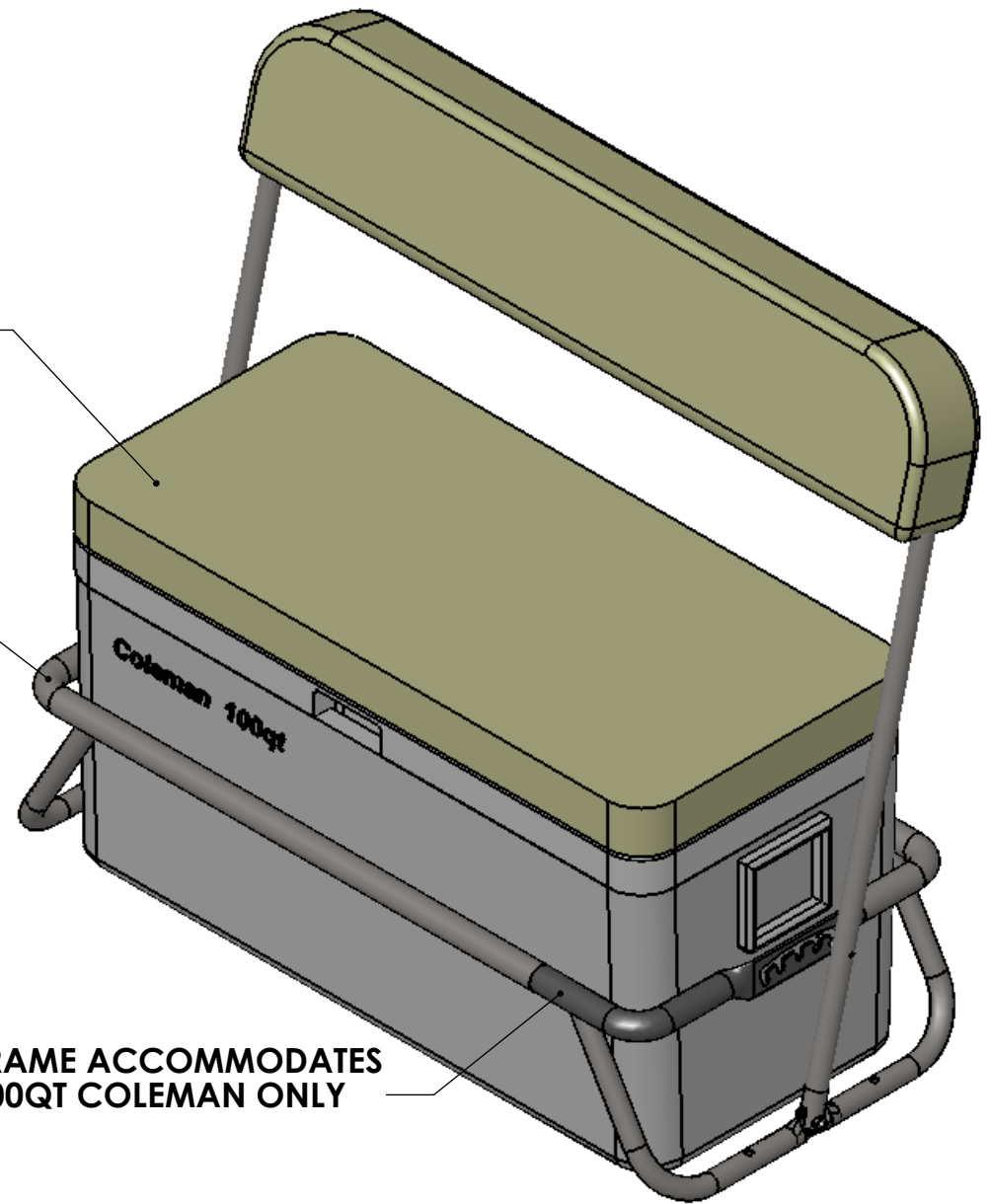
D
C
B
A

D
C
B
A

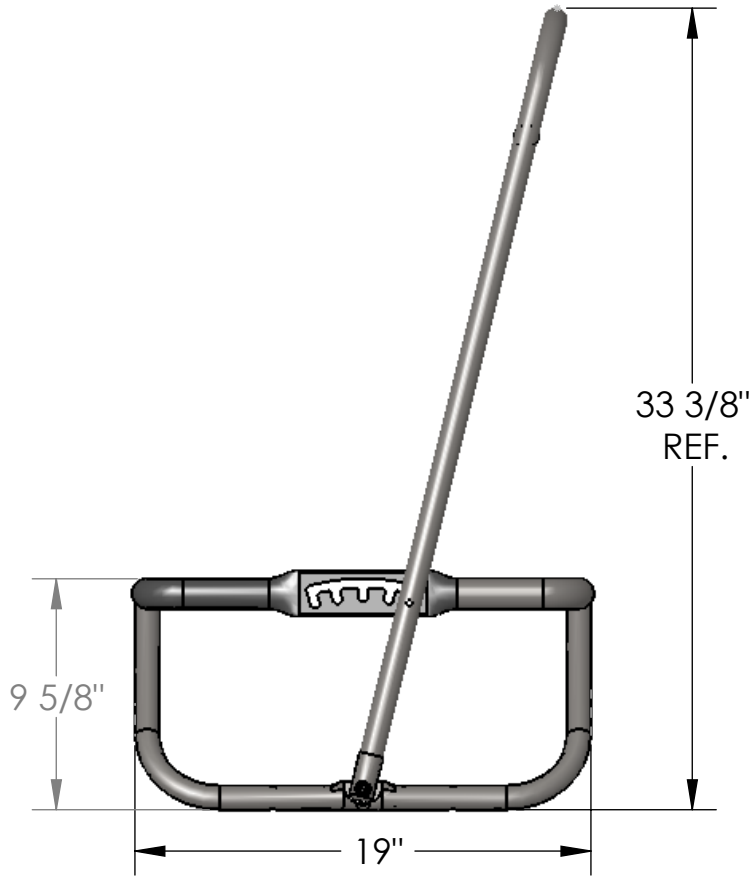
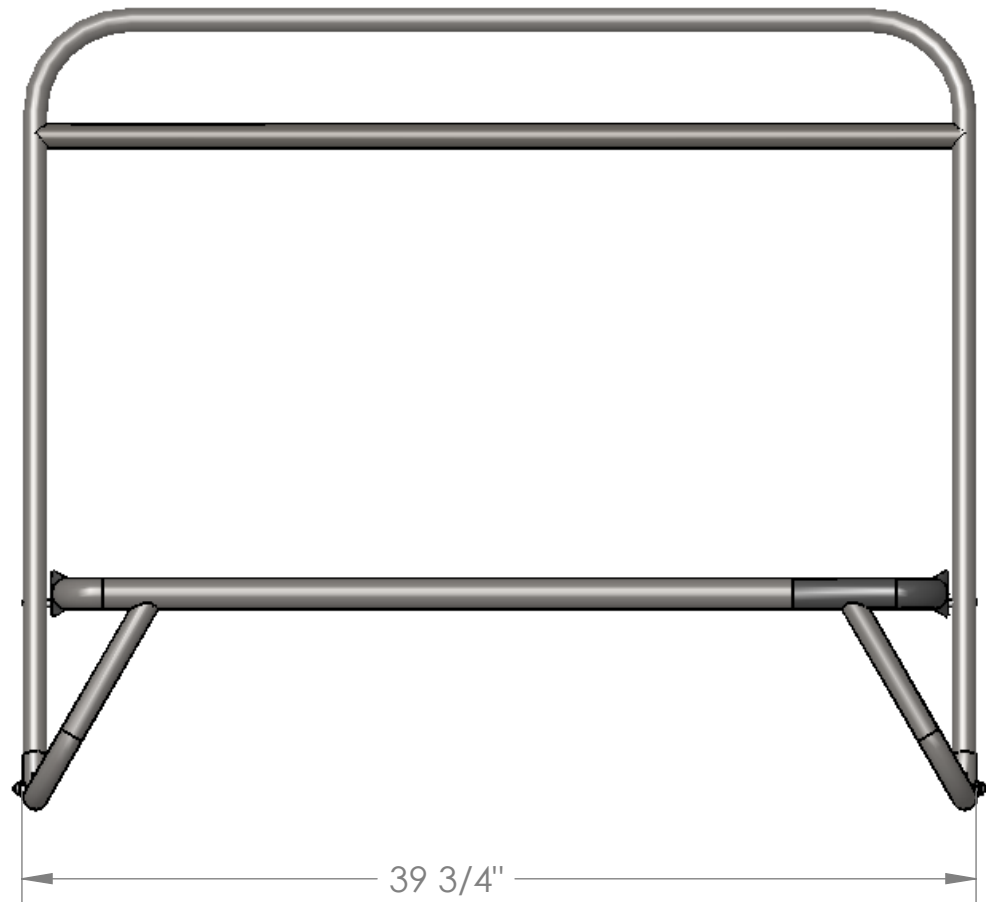


**PART# 26537-CU
(FRAME W/COOLER & CUSHIONS)**

**PART# 26537
(FRAME ONLY)**



**FRAME ACCOMMODATES
100QT COLEMAN ONLY**



NOTE:
ALL DIMENSIONS ARE FOR REFERENCE ONLY

UNLESS OTHERWISE SPECIFIED:
DIMENSIONS ARE IN INCHES
TOLERANCES:
FRACTIONAL: $\pm 1/64$ "
ANGULAR: MACH ± 1 Deg.
BEND ± 1 Deg.
TWO PLACE DECIMAL $\pm .03$ "
THREE PLACE DECIMAL $\pm .015$ "
PROPRIETARY AND CONFIDENTIAL
THE INFORMATION CONTAINED IN THIS
DRAWING IS THE SOLE PROPERTY OF
G.G. SCHMITT & SONS. ANY
REPRODUCTION IN PART OR AS A WHOLE
WITHOUT THE WRITTEN PERMISSION OF
G.G. SCHMITT & SONS IS PROHIBITED.
DO NOT SCALE DRAWING

<p>G.G. Schmitt & Sons</p> <p>2821 Old Tree Drive Lancaster, PA 17603 717-394-3701</p> <p>7230 15th Street East Sarasota, FL 34243 941-360-1967</p>		<p>TITLE: BASIC 100QT COOLER SEAT</p>	
		<p>DRAWN BY: GAT</p>	<p>APR BY:</p>
<p>SIZE B</p>	<p>DWG. NO. 26537</p>	<p>CUSTOMER NO. -</p>	
<p>SCALE: NTS</p>	<p>DATE: 5/24/2006</p>	<p>SHEET 1 OF 1</p>	

8 7 6 5 4 3 2 1