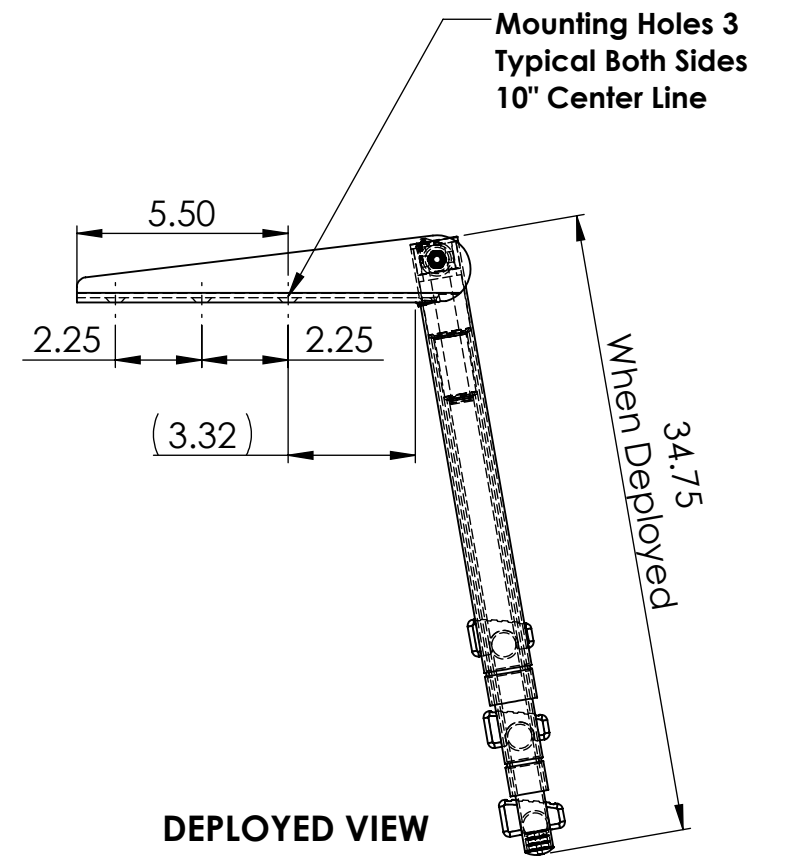
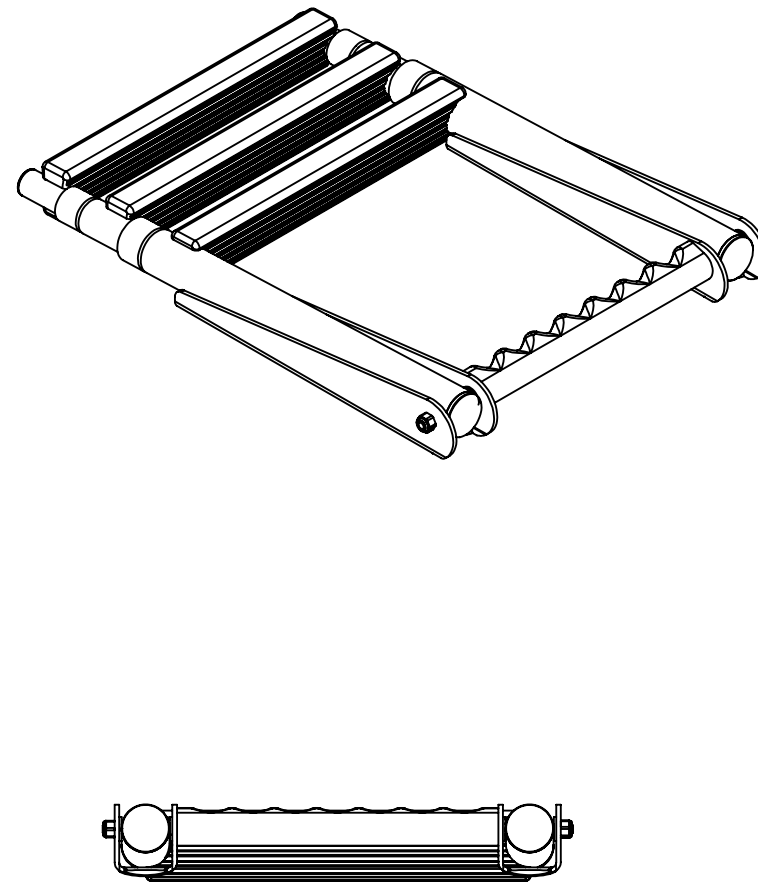


STOWED VIEW



DEPLOYED VIEW

UNLESS OTHERWISE SPECIFIED:		DATE:	6-05-19	GG Schmitt & Sons	
DIMENSIONS ARE IN INCHES TOLERANCES: FRACTIONAL ± 1/64" ANGULAR: MACH ± 1/2 Deg. BEND ± 1 Deg. TWO PLACE DECIMAL ± .03" THREE PLACE DECIMAL ± .015"		DRAWN BY:	<i>Al Bender</i>		
DO NOT SCALE THIS DRAWING		APPROVED BY:		SIZE DWG. NO. B WS-L0T13500	
MATERIAL: T-304 Stainless Steel		SCALE:	N/A		
FINISH: Full Mirror Polish		GG Schmitt & Sons 2821 Old Tree Drive Lancaster, PA 17603 717-394-3701 7230 15th Street East Sarasota, FL 34243 941-360-1967			
		PROPRIETARY AND CONFIDENTIAL THE INFORMATION CONTAINED IN THIS DRAWING IS THE SOLE PROPERTY OF GG SCHMITT & SONS. ANY REPRODUCTION IN PART OR AS A WHOLE WITHOUT THE WRITTEN PERMISSION OF GG SCHMITT & SONS IS PROHIBITED.			