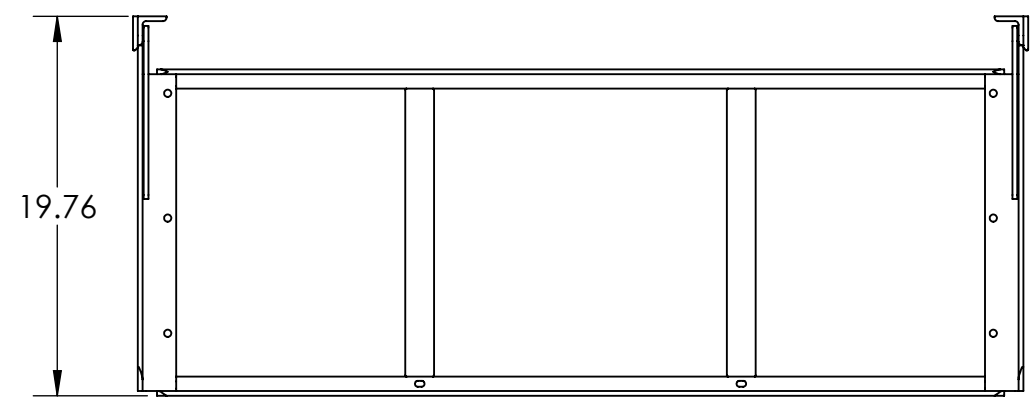


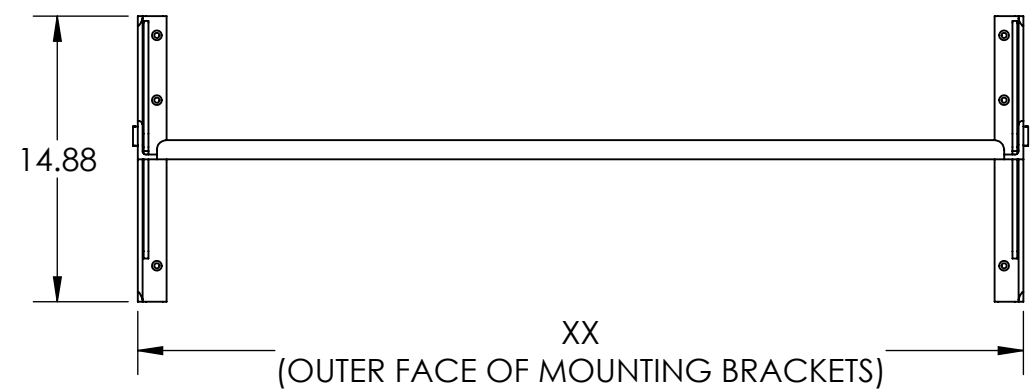
8 7 6 5 4 3 2 1

D



C

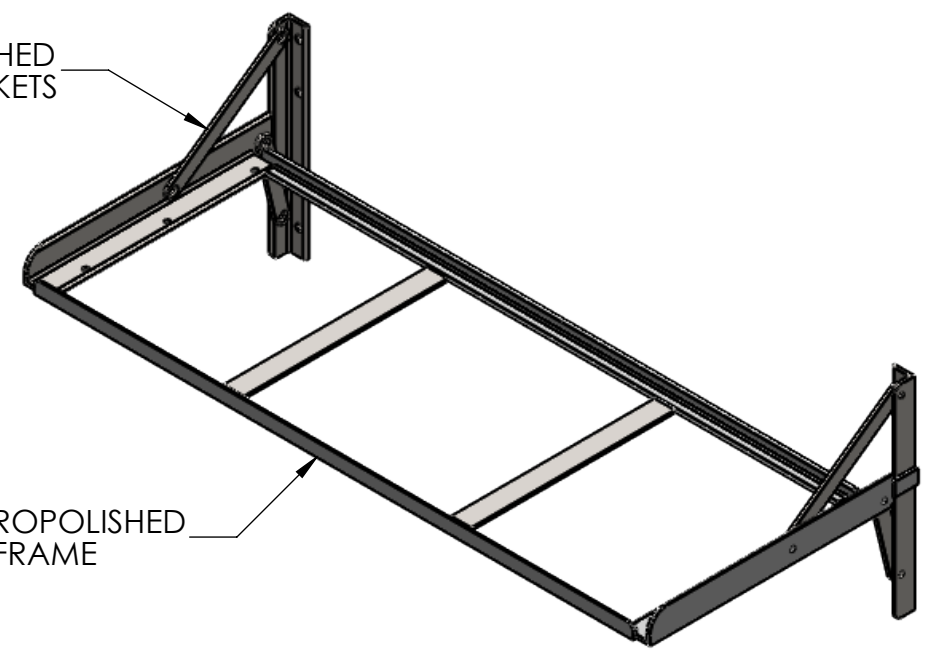
B



A

MIRROR POLISHED ARMS & BRACKETS

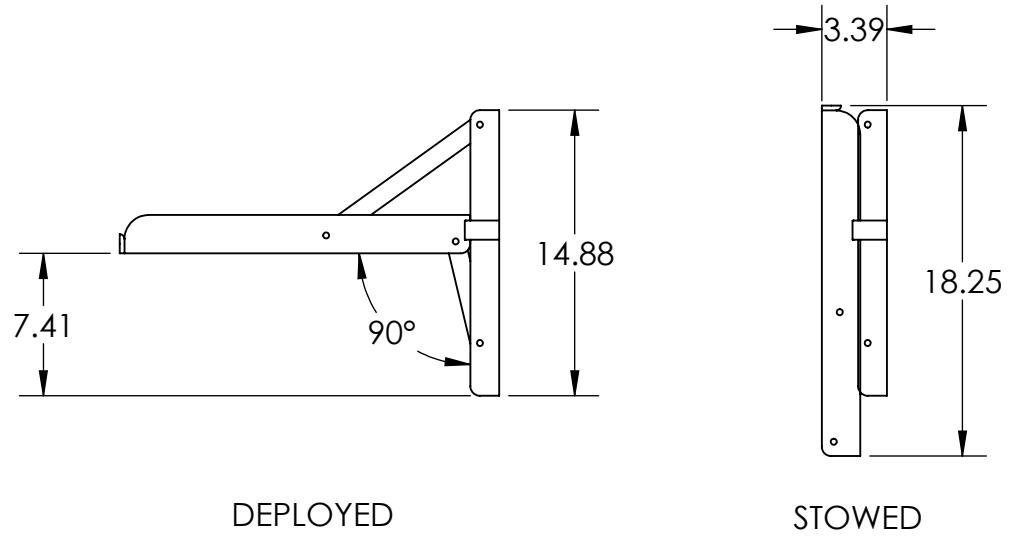
ELECTROPOLISHED FRAME



D

C

B



NOTE:
'XX' IS THE OVERALL SEAT WIDTH IN INCHES.
THIS CAN BE CUSTOMIZED TO FIT YOUR APPLICATION.

AVAILABLE OPTIONS:
R - GRAB RAIL W/ PURE WHITE POWDERCOATED COVER PAN
F - FLUSH PULL W/ PURE WHITE POWDERCOATED COVER PAN
M - MIRROR POLISHED FRAME

PROPRIETARY AND CONFIDENTIAL
THE INFORMATION CONTAINED IN THIS DRAWING IS THE SOLE PROPERTY OF GG SCHMITT & SONS. ANY REPRODUCTION IN PART OR AS A WHOLE WITHOUT THE WRITTEN PERMISSION OF GG SCHMITT & SONS IS PROHIBITED.

UNLESS OTHERWISE SPECIFIED:
DIMENSIONS ARE IN INCHES
(SECONDARY IS IN MILLIMETERS)
TOLERANCES:
FRACTIONAL: ± 1/64"
ANGLE: ± .5°
.XX ± .03" XXX ± .010 X/XX ± 1/16
INTERPRET DIM AND TOL PER
ASME 14.5M-1994

THIRD ANGLE PROJECTION
MATERIAL
FINISH
DO NOT SCALE DRAWING

	NAME	DATE
DRAWN	T.L.K.	5/1/19
CHECKED		
ENG APPR.		

COMMENTS:



TITLE: BULKHEAD SEAT

SIZE	DWG. NO.	REV
B	S03-XX	

SCALE: 1:10 WEIGHT: SHEET 1 OF 1

8 7 6 5 4 3 2 1