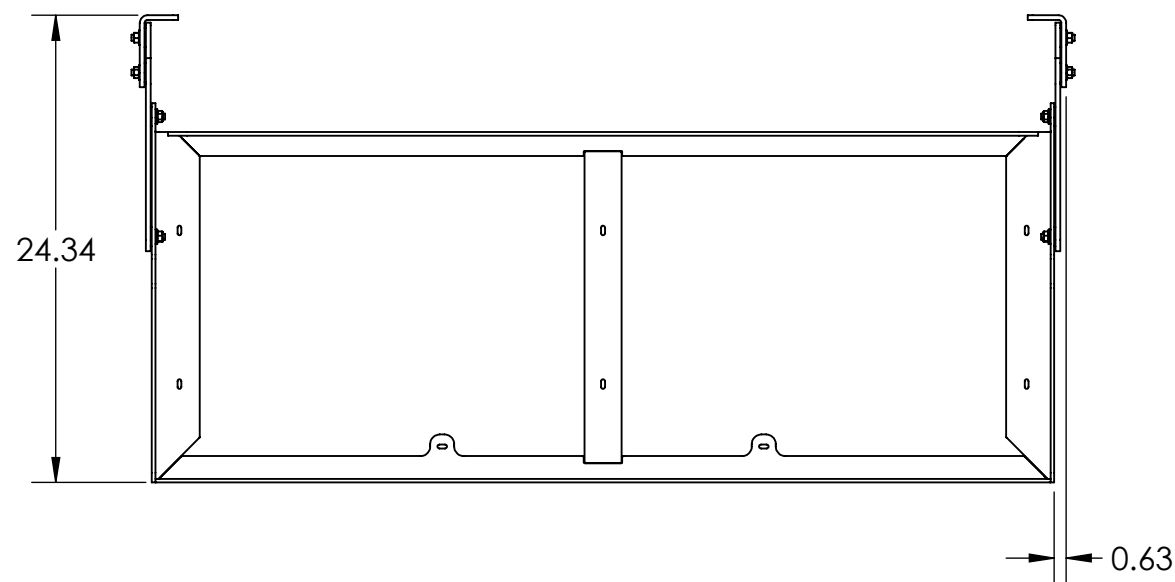
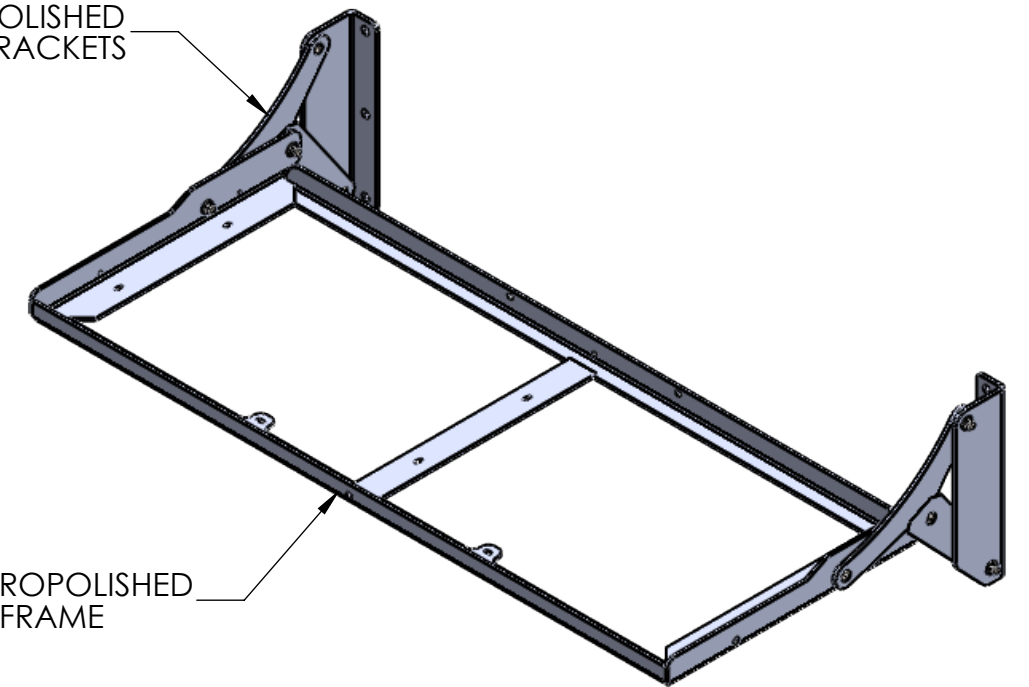


8 7 6 5 4 3 2 1

D



MIRROR POLISHED ARMS & BRACKETS

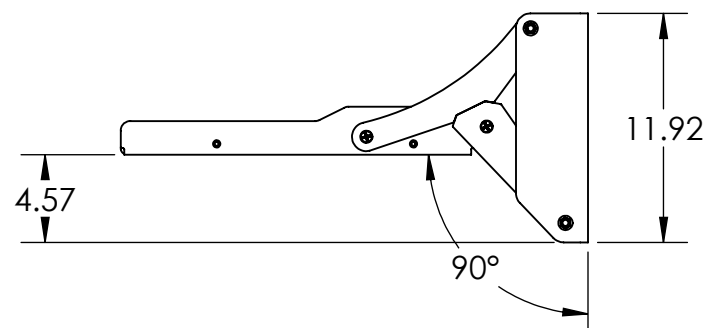
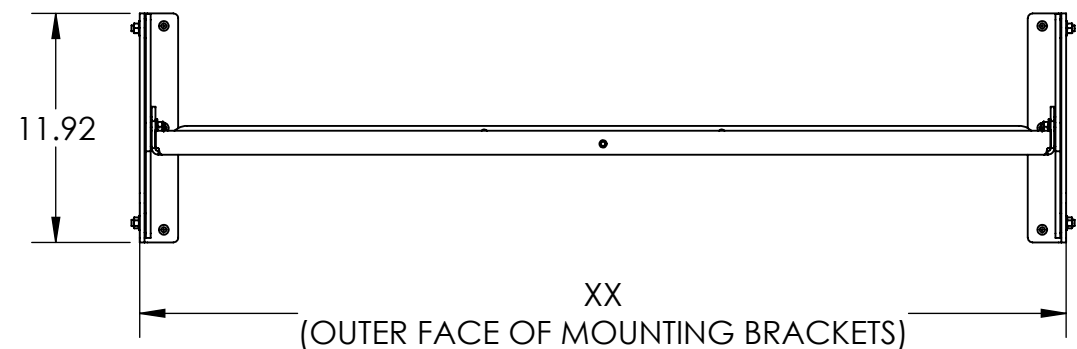


C

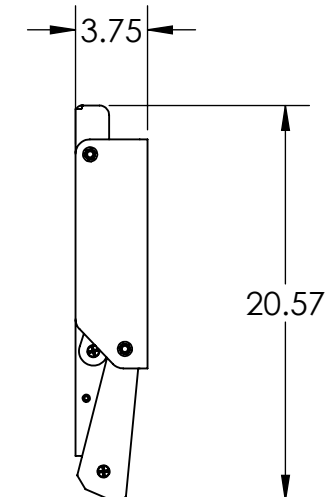
D

C

B



DEPLOYED



STOWED

B

A

NOTE:  
'XX' IS THE OVERALL SEAT WIDTH IN INCHES.  
THIS CAN BE CUSTOMIZED TO FIT YOUR APPLICATION.

AVAILABLE OPTIONS:  
R - GRAB RAIL W/ PURE WHITE POWDERCOATED COVER PAN  
F - FLUSH PULL W/ PURE WHITE POWDERCOATED COVER PAN  
G - GAS SPRINGS  
M - MIRROR POLISHED FRAME

UNLESS OTHERWISE SPECIFIED:  
DIMENSIONS ARE IN INCHES  
(SECONDARY IS IN MILLIMETERS)  
TOLERANCES:  
FRACTIONAL: ± 1/64"  
ANGLE: ± .5°  
.XX ± .03" XXX ± .010 X/XX ± 1/16  
INTERPRET DIM AND TOL PER  
ASME 14.5M-1994

THIRD ANGLE PROJECTION

MATERIAL

FINISH

DO NOT SCALE DRAWING

	NAME	DATE
DRAWN	T.L.K.	5/2/19
CHECKED		
ENG APPR.		

COMMENTS:



TITLE:  
**UNDER GUNNEL SEAT**

SIZE	DWG. NO.	REV
<b>B</b>	<b>S05-XX</b>	

SCALE: 1:10 WEIGHT: SHEET 1 OF 1

8 7 6 5 4 3 2 1