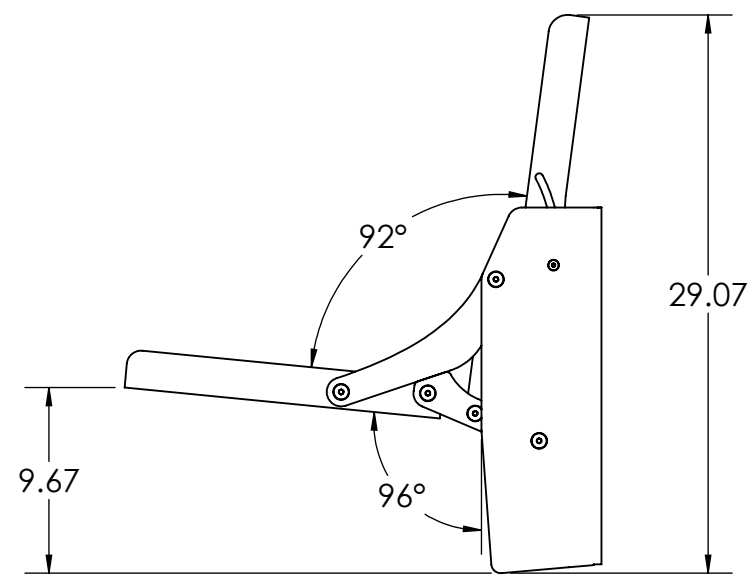
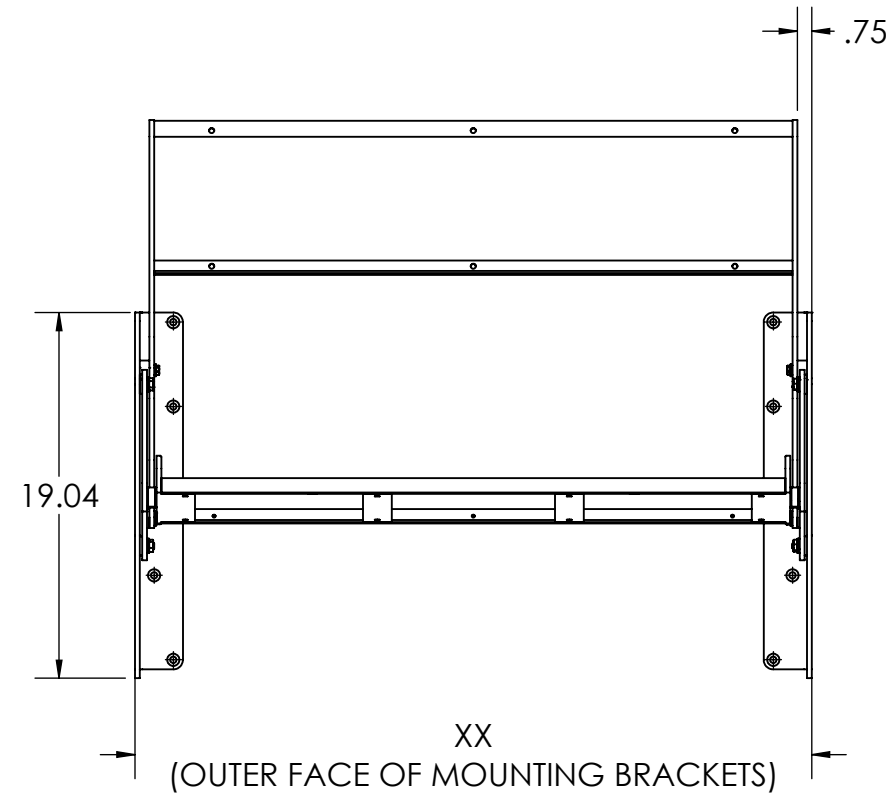
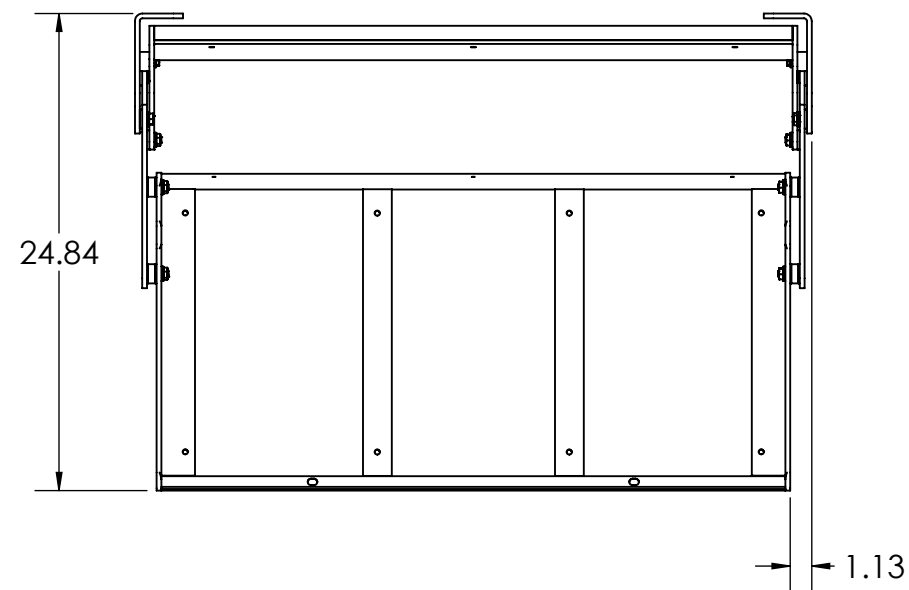
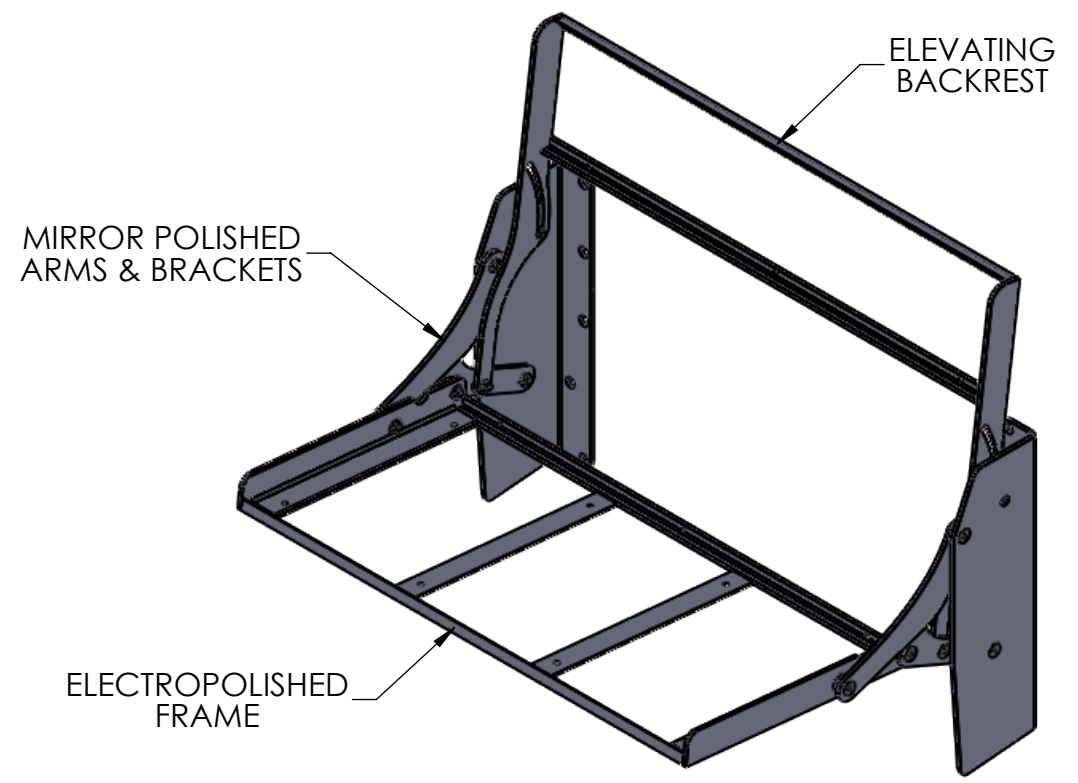


8 7 6 5 4 3 2 1

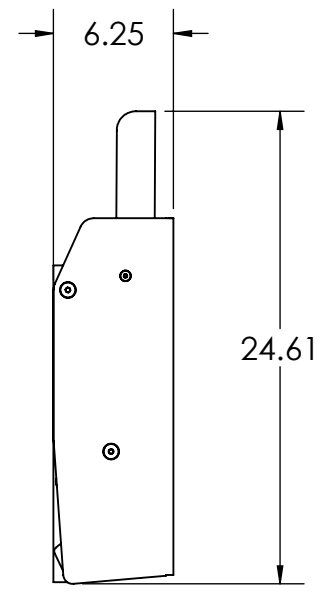
D
C
B
A



DEPLOYED



ELECTROPOLISHED FRAME



STOWED

NOTE:
'XX' IS THE OVERALL SEAT WIDTH IN INCHES.
THIS CAN BE CUSTOMIZED TO FIT YOUR APPLICATION.

- AVAILABLE OPTIONS:
 R - GRAB RAIL W/ PURE WHITE POWDERCOATED COVER PAN
 F - FLUSH PULL W/ PURE WHITE POWDERCOATED COVER PAN
 G - GAS SPRINGS
 M - MIRROR POLISHED FRAME

PROPRIETARY AND CONFIDENTIAL
 THE INFORMATION CONTAINED IN THIS DRAWING IS THE SOLE PROPERTY OF GG SCHMITT & SONS. ANY REPRODUCTION IN PART OR AS A WHOLE WITHOUT THE WRITTEN PERMISSION OF GG SCHMITT & SONS IS PROHIBITED.

UNLESS OTHERWISE SPECIFIED:
 DIMENSIONS ARE IN INCHES
 (SECONDARY IS IN MILLIMETERS)
 TOLERANCES:
 FRACTIONAL ± 1/64"
 ANGLE: ± .5°
 .XX ± .03" XXX ± .010 X/XX ± 1/16
 INTERPRET DIM AND TOL PER
 ASME 14.5M-1994

THIRD ANGLE PROJECTION

MATERIAL

FINISH

DO NOT SCALE DRAWING

	NAME	DATE
DRAWN	T.L.K.	6/29/17
CHECKED		
ENG APPR.		

COMMENTS:



TITLE:
**ERGONOMIC SEAT W/
 BACKREST**

SIZE	DWG. NO.	REV
B	S07-XX	

SCALE: 1:10 WEIGHT: SHEET 1 OF 1

8 7 6 5 4 3 2 1