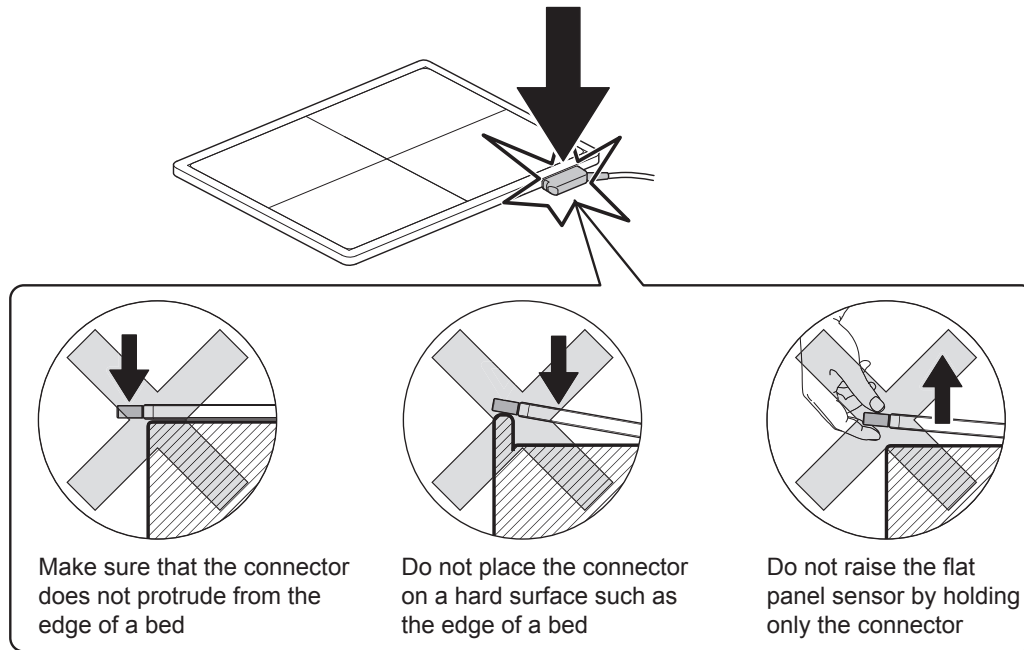


When the SE communication cable is connected to the flat panel sensor to make an exposure on a bed, follow the precautions below. Otherwise a load may be applied locally to the SE communication cable connectors, causing damage to the flat panel sensor.



1.5.4 During Cleaning

To clean the outer surfaces, use a cleaning cloth tightly wrung out of commercially available ethanol.



CAUTIONS

- Be sure to turn off the power before cleaning each part of the device.
- Do not use an excessive amount of ethanol, as doing so may allow the liquid to enter from the gap on the outer surfaces, resulting in the damage to the flat panel sensor, or cause the labels to come off.
- Do not use a solvent such as thinner or benzene, as it corrodes the outer surfaces.
- For other available disinfectants, consult our official dealer.
- Use dehydrated ethanol or ethanol diluted with purified water.

1.5.5 Storage

When the flat panel sensor and the image processing unit are not in use, store them in a place where they do not fall or drop.

Chapter 5 Daily Inspection and Maintenance

5.1 Daily User Inspection and Maintenance

During maintenance and inspection, strictly observe precautions contained in “Chapter 1 For Safe Operation” in this manual for you to use the FDR D-EVO II under best conditions.

5.1.1 Daily Inspection (DR-ID 1200)

Inspection Before Use

- Make sure that the equipment starts up normally.
- Make sure that the equipment communicates with connected devices normally.
- Make sure that the time displayed is correct.
- 🔑 See “3.2 Starting Up and Shutting Down the System” (page 3-9).

Inspection During Use

- Make sure that images are output normally.
- 🔑 See “3.3 Routine Operations” (page 3-12).

Inspection After Use

- Shut down the equipment.
- 🔑 See “3.2 Starting Up and Shutting Down the System” (page 3-9).

Cleaning instructions

Use an ethanol to clean the outer surfaces.



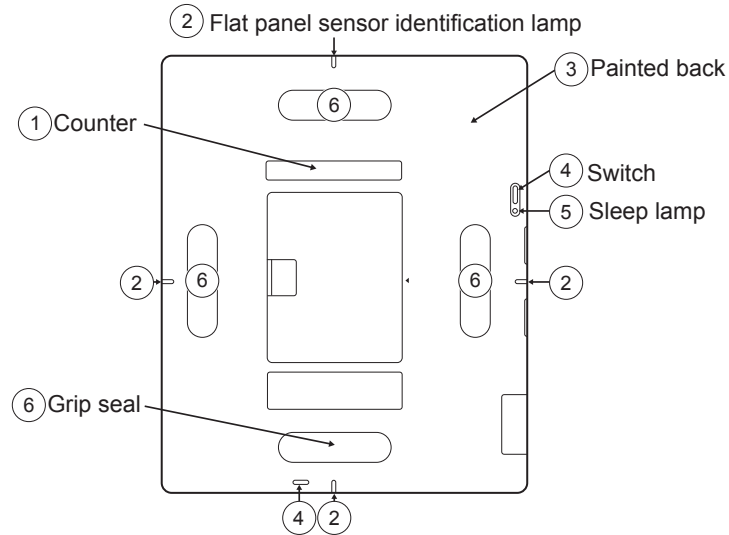
CAUTIONS

- Do not use a solvent such as thinner or benzine, as it corrodes the outer surfaces.
 - Make sure not to let water, detergent, ethanol and so on get inside the equipment.
 - Use dehydrated ethanol or ethanol diluted with purified water.
-

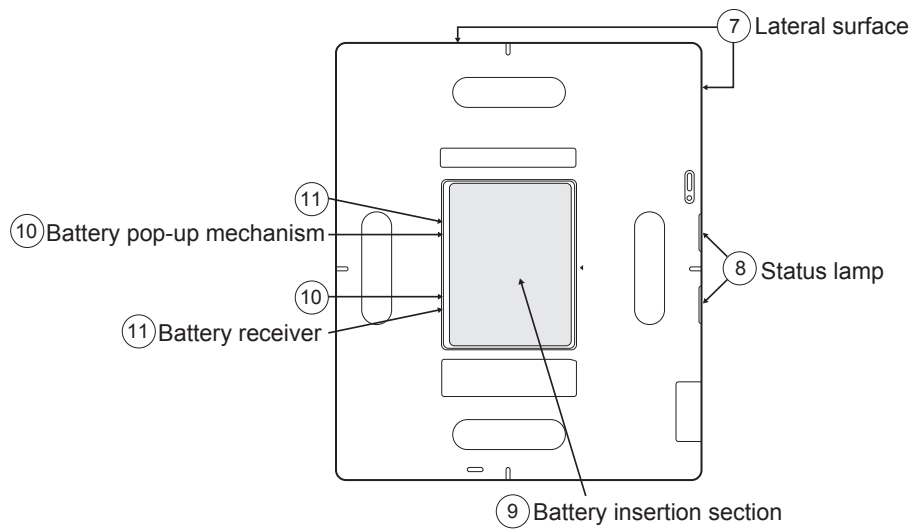
A.4 Cleaning Fluids

This chapter describes cleaning fluids that can be used for cleaning the parts of the equipment. FUJIFILM has confirmed that the parts have resistance to these cleaning fluids. Carefully read the instructions provided with them.

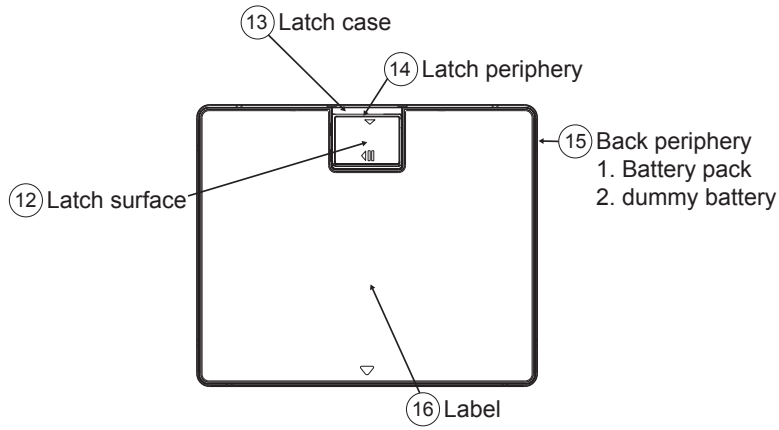
* Depending on cleaning methods, sufficient disinfection effect may not be exerted.



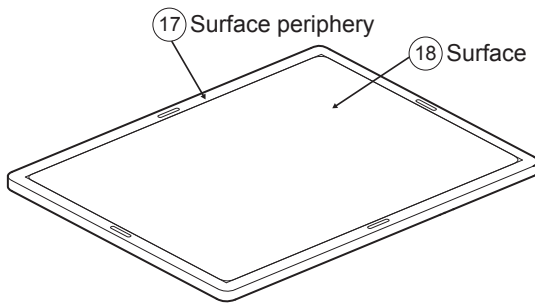
	①	②	③	④	⑤	⑥
Dehydrated ethanol	Yes	Yes	Yes	Yes	Yes	Yes
Isopropyl alcohol (concentration of 99.0% or more)	Yes	Yes	Yes	Yes	Yes	Yes



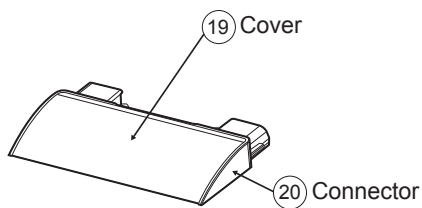
	⑦	⑧	⑨	⑩	⑪
Dehydrated ethanol	Yes	Yes	Yes	Yes	Yes
Isopropyl alcohol (concentration of 99.0% or more)	Yes	Yes	Yes	Yes	Yes



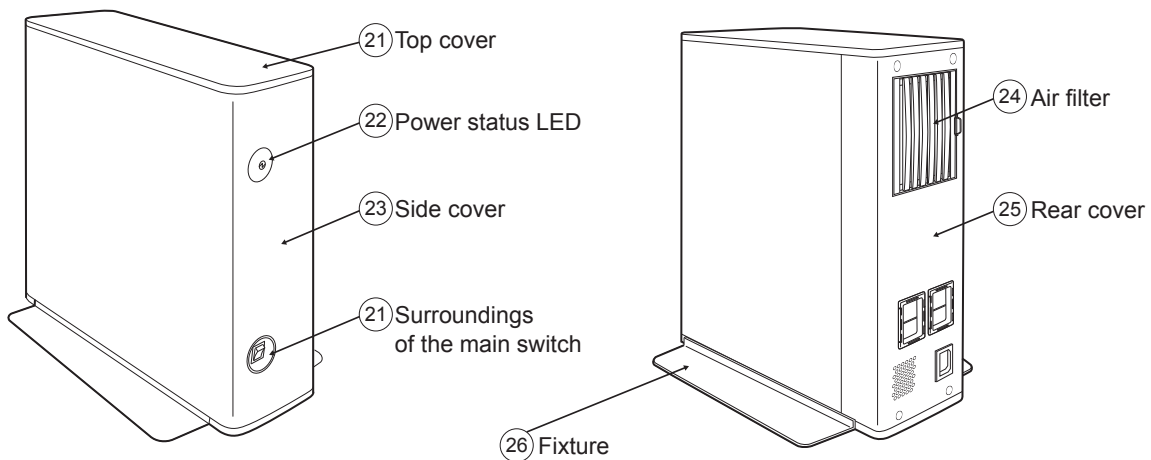
	⑫	⑬	⑭	⑮ 1.	⑮ 2.	⑯
Dehydrated ethanol	Yes	Yes	Yes	Yes	Yes	Yes
Isopropyl alcohol (concentration of 99.0% or more)	Yes		Yes	No	Yes	Yes



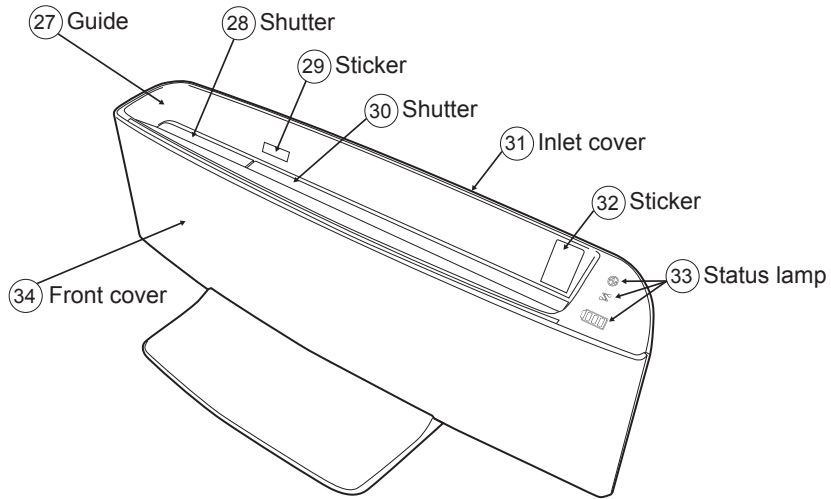
	⑰	⑱
Dehydrated ethanol	Yes	Yes
Isopropyl alcohol (concentration of 99.0% or more)	Yes	Yes



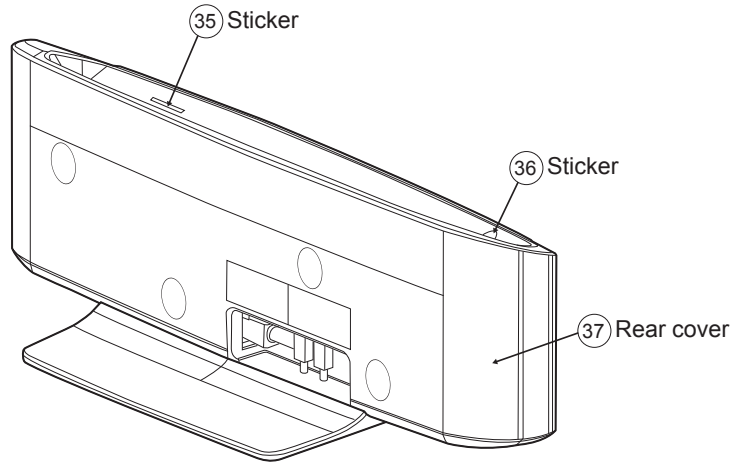
	⑲	⑳
Dehydrated ethanol	Yes	Yes
Isopropyl alcohol (concentration of 99.0% or more)	Yes	Yes



	⑳	㉑	㉒	㉓	㉔	㉕	㉖
Dehydrated ethanol	Yes	Yes	Yes	Yes	Yes	Yes	Yes
Isopropyl alcohol (concentration of 99.0% or more)	Yes	Yes	Yes	Yes	Yes	Yes	Yes



	27	28	29	30	31	32	33	34
Dehydrated ethanol	Yes	Yes	Yes	Yes	Yes	Yes	Yes	Yes
Isopropyl alcohol (concentration of 99.0% or more)	Yes	Yes	Yes	Yes	Yes	Yes	Yes	Yes

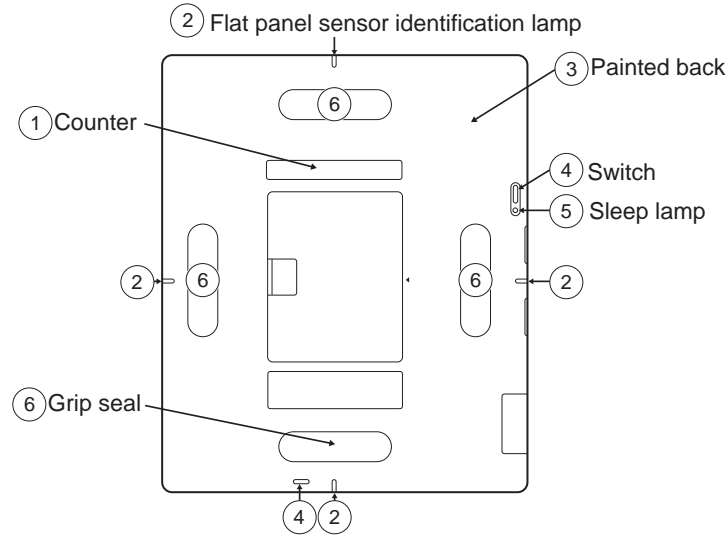


	35	36	37
Dehydrated ethanol	Yes	Yes	Yes
Isopropyl alcohol (concentration of 99.0% or more)	Yes	Yes	Yes

Cleaning Fluids for DR-ID1200

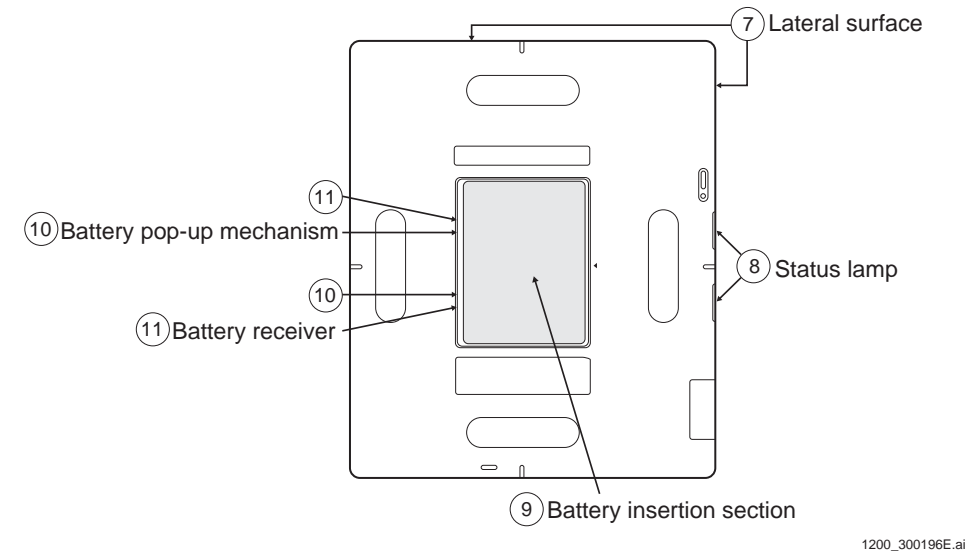
Describe cleaning fluids that can be used for cleaning the parts of the equipment.

■ SE



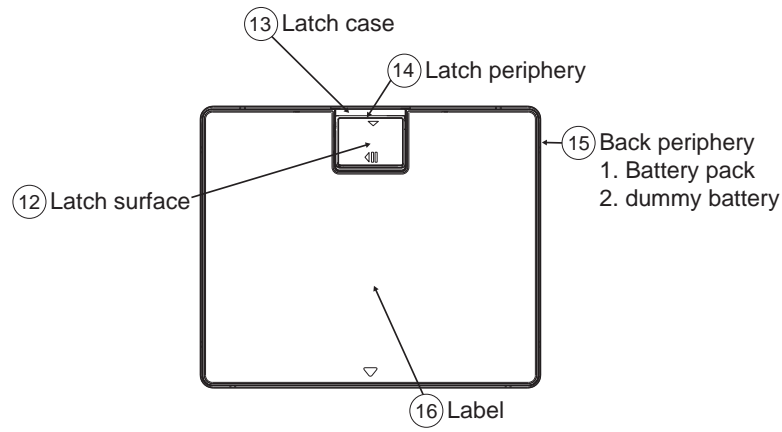
1200_300195E.ai

		1	2	3	4	5	6
A	Ethanol (concentration of 99.5% or less)	Yes	Yes	Yes	Yes	Yes	Yes
B	Isopropyl alcohol (concentration of 99.0% or less)	Yes	Yes	Yes	Yes	Yes	Yes
F	SUPER SANI-CLOTH PDI	Yes	Yes	Yes	Yes	Yes	Yes
G	SANI-CLOTH PLUS PDI	No	Yes	Yes	Yes	Yes	Yes
I	SANI-CLOTH Bleach Wipe PDI	Yes	Yes	Yes	Yes	Yes	—
J	CALTECH DISPATCH	Yes	Yes	Yes	Yes	Yes	Yes
K	Mikrozid AF Liquid	Yes	Yes	Yes	Yes	Yes	Yes
L	Mikrozid AF Wipes	Yes	Yes	Yes	Yes	Yes	Yes
M	Bacillol@30Form	No	Yes	Yes	Yes	Yes	Yes
N	MELISEPTOL rapid	No	Yes	Yes	Yes	Yes	Yes
O	Bacillol AF	Yes	Yes	Yes	Yes	Yes	Yes
P	Bacillol plus	Yes	Yes	Yes	Yes	Yes	Yes
Q	Meliseptol Foam Pure/Fresh	Yes	Yes	Yes	Yes	Yes	Yes
R	MELISEPTOL	Yes	Yes	Yes	Yes	Yes	Yes



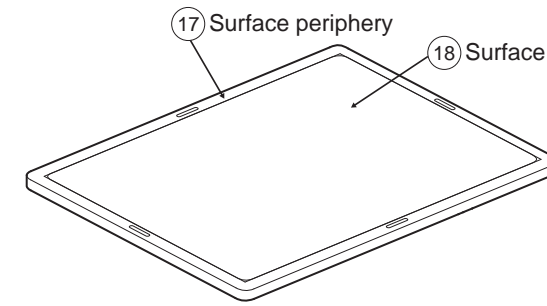
1200_300196E.ai

		7	8	9	10	11
A	Ethanol (concentration of 99.5% or less)	Yes	Yes	Yes	Yes	Yes
B	Isopropyl alcohol (concentration of 99.0% or less)	Yes	Yes	Yes	Yes	Yes
C	Type FO	Yes	—	Yes	—	—
D	Mikrobac Tissue	Yes	—	Yes	Yes	—
E	Clinell wipes	Yes	—	Yes	Yes	—
F	SUPER SANI-CLOTH PDI	Yes	Yes	Yes	Yes	Yes
G	SANI-CLOTH PLUS PDI	Yes	Yes	Yes	Yes	Yes
H	SANI-CLOTH AF PDI	—	—	—	Yes	—
I	SANI-CLOTH Bleach Wipe PDI	—	Yes	No	Yes	Yes
J	CALTECH DISPATCH	—	Yes	No	Yes	Yes
K	Mikrozid AF Liquid	Yes	Yes	Yes	Yes	Yes
L	Mikrozid AF Wipes	Yes	Yes	Yes	Yes	Yes
M	Bacillol@30Form	No	No	No	Yes	Yes
N	MELISEPTOL rapid	Yes	Yes	No	Yes	Yes
O	Bacillol AF	Yes	Yes	Yes	Yes	Yes
P	Bacillol plus	Yes	Yes	Yes	Yes	Yes
Q	Meliseptol Foam Pure/Fresh	Yes	Yes	No	Yes	Yes
R	MELISEPTOL	Yes	Yes	Yes	Yes	Yes



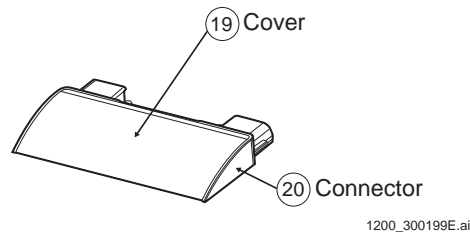
1200_300197E.ai

		12	13	14	15-1	15-2	16
A	Ethanol (concentration of 99.5% or less)	Yes	Yes	Yes	Yes	Yes	Yes
B	Isopropyl alcohol (concentration of 99.0% or less)	Yes	—	Yes	No	Yes	Yes
C	Type FO	Yes	—	—	—	Yes	—
D	Mikrobac Tissue	Yes	—	Yes	No	Yes	—
E	Clinell wipes	Yes	—	Yes	No	Yes	—
F	SUPER SANI-CLOTH PDI	Yes	Yes	Yes	Yes	Yes	Yes
G	SANI-CLOTH PLUS PDI	Yes	Yes	Yes	No	Yes	No
H	SANI-CLOTH AF PDI	—	—	Yes	—	No	—
I	SANI-CLOTH Bleach Wipe PDI	—	Yes	Yes	Yes	Yes	Yes
J	CALTECH DISPATCH	—	Yes	Yes	Yes	Yes	Yes
K	Mikrozid AF Liquid	Yes	Yes	Yes	Yes	Yes	Yes
L	Mikrozid AF Wipes	Yes	Yes	Yes	Yes	Yes	Yes
M	Bacillol@30Form	No	Yes	Yes	No	Yes	No
N	MELISEPTOL rapid	Yes	Yes	Yes	No	Yes	No
O	Bacillol AF	Yes	Yes	Yes	Yes	Yes	Yes
P	Bacillol plus	Yes	Yes	Yes	Yes	Yes	Yes
Q	Meliseptol Foam Pure/Fresh	Yes	Yes	Yes	No	Yes	No
R	MELISEPTOL	Yes	Yes	Yes	Yes	Yes	Yes



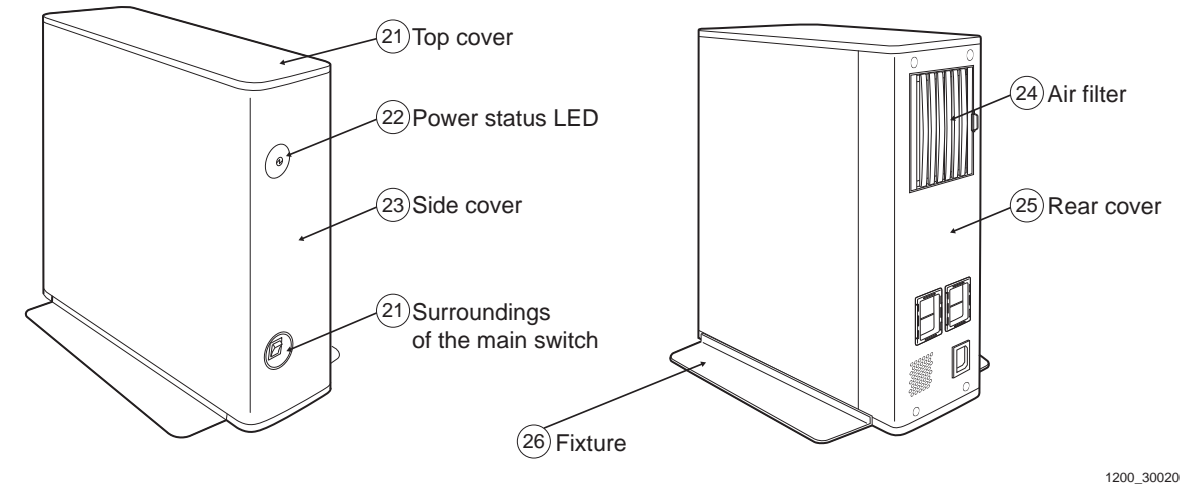
1200_300198E.ai

		17	18
A	Ethanol (concentration of 99.5% or less)	Yes	Yes
B	Isopropyl alcohol (concentration of 99.0% or less)	Yes	Yes
C	Type FO	—	Yes
D	Mikrobac Tissue	—	Yes
E	Clinell wipes	—	Yes
F	SUPER SANI-CLOTH PDI	Yes	Yes
G	SANI-CLOTH PLUS PDI	Yes	Yes
I	SANI-CLOTH Bleach Wipe PDI	Yes	—
J	CALTECH DISPATCH	Yes	—
K	Mikrozid AF Liquid	Yes	Yes
L	Mikrozid AF Wipes	Yes	Yes
M	Bacillol@30Form	Yes	No
N	MELISEPTOL rapid	Yes	Yes
O	Bacillol AF	Yes	Yes
P	Bacillol plus	Yes	Yes
Q	Meliseptol Foam Pure/Fresh	Yes	Yes
R	MELISEPTOL	Yes	Yes



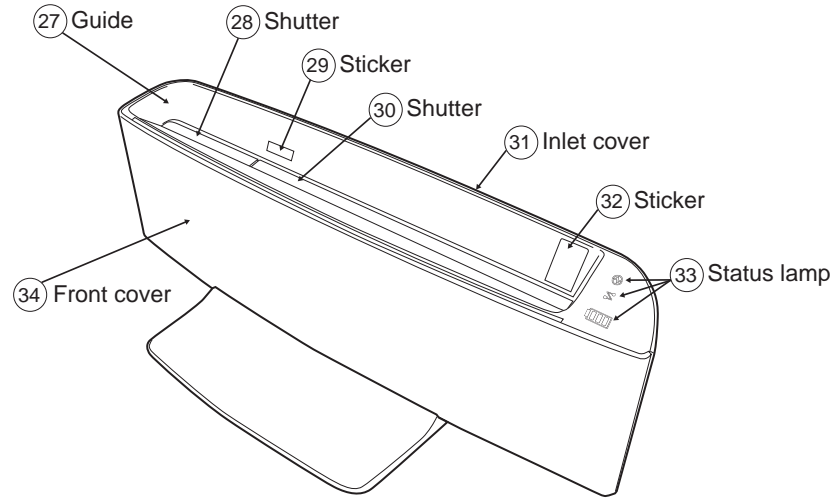
		19	20
A	Ethanol (concentration of 99.5% or less)	Yes	Yes
B	Isopropyl alcohol (concentration of 99.0% or less)	Yes	Yes
C	Type FO	Yes	—
D	Mikrobac Tissue	Yes	—
E	Clinell wipes	Yes	—
F	SUPER SANI-CLOTH PDI	Yes	Yes
G	SANI-CLOTH PLUS PDI	Yes	Yes
H	SANI-CLOTH AF PDI	No	—
I	SANI-CLOTH Bleach Wipe PDI	Yes	Yes
J	CALTECH DISPATCH	Yes	Yes
K	Mikrozid AF Liquid	Yes	Yes
L	Mikrozid AF Wipes	Yes	Yes
M	Bacillol@30Form	Yes	Yes
N	MELISEPTOL rapid	Yes	Yes
O	Bacillol AF	Yes	Yes
P	Bacillol plus	Yes	Yes
Q	Meliseptol Foam Pure/Fresh	Yes	Yes
R	MELISEPTOL	Yes	Yes

■ MP



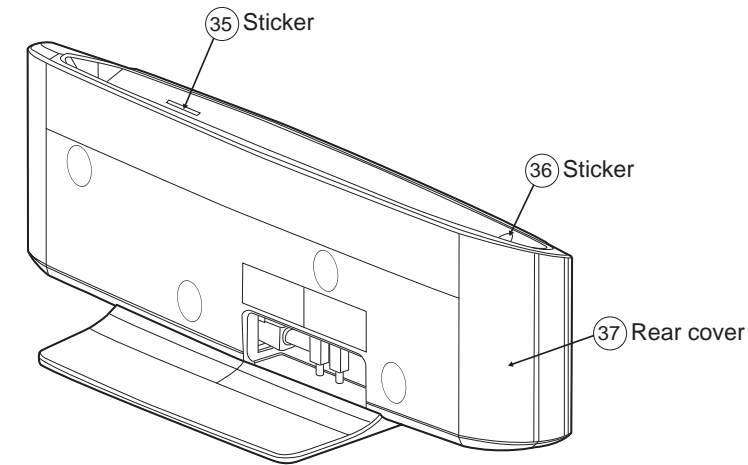
		21	22	23	24	25	26
A	Ethanol (concentration of 99.5% or less)	Yes	Yes	Yes	Yes	Yes	Yes
B	Isopropyl alcohol (concentration of 99.0% or less)	Yes	Yes	Yes	Yes	Yes	Yes
C	Type FO	Yes	—	—	Yes	—	—
D	Mikrobac Tissue	Yes	—	—	Yes	—	—
E	Clinell wipes	Yes	—	—	Yes	—	—
F	SUPER SANI-CLOTH PDI	Yes	Yes	Yes	Yes	Yes	Yes
G	SANI-CLOTH PLUS PDI	Yes	Yes	Yes	Yes	Yes	Yes
H	SANI-CLOTH AF PDI	No	—	—	No	—	—
I	SANI-CLOTH Bleach Wipe PDI	Yes	Yes	Yes	Yes	Yes	Yes
J	CALTECH DISPATCH	Yes	Yes	Yes	Yes	Yes	Yes
K	Mikrozid AF Liquid	Yes	Yes	Yes	Yes	Yes	Yes
L	Mikrozid AF Wipes	Yes	Yes	Yes	Yes	Yes	Yes
M	Bacillol@30Form	Yes	Yes	Yes	Yes	Yes	Yes
N	MELISEPTOL rapid	Yes	Yes	Yes	Yes	Yes	Yes
O	Bacillol AF	Yes	Yes	Yes	Yes	Yes	Yes
P	Bacillol plus	Yes	Yes	Yes	Yes	Yes	Yes
Q	Meliseptol Foam Pure/Fresh	Yes	Yes	Yes	Yes	Yes	Yes
R	MELISEPTOL	Yes	Yes	Yes	Yes	Yes	Yes

■ DS



1200_300201E.ai

		27	28	29	30	31	32	33	34
A	Ethanol (concentration of 99.5% or less)	Yes	Yes	Yes	Yes	Yes	Yes	Yes	Yes
B	Isopropyl alcohol (concentration of 99.0% or less)	Yes	Yes	Yes	Yes	Yes	Yes	Yes	Yes
C	Type FO	—	—	Yes	—	Yes	Yes	—	—
D	Mikrobac Tissue	—	—	Yes	—	Yes	Yes	—	—
E	Clinell wipes	—	—	Yes	—	Yes	Yes	—	—
F	SUPER SANI-CLOTH PDI	Yes	Yes	Yes	Yes	Yes	Yes	Yes	Yes
G	SANI-CLOTH PLUS PDI	Yes	No	Yes	No	Yes	Yes	Yes	Yes
H	SANI-CLOTH AF PDI	Yes	—	—	—	No	—	—	Yes
I	SANI-CLOTH Bleach Wipe PDI	—	Yes	—	Yes	Yes	—	Yes	—
J	CALTECH DISPATCH	Yes	Yes	—	Yes	Yes	—	Yes	Yes
K	Mikrozid AF Liquid	Yes	Yes	Yes	Yes	Yes	Yes	Yes	Yes
L	Mikrozid AF Wipes	Yes	Yes	Yes	Yes	Yes	Yes	Yes	Yes
M	Bacillol@30Form	Yes	No	No	No	Yes	No	No	Yes
N	MELISEPTOL rapid	Yes	Yes	Yes	Yes	Yes	Yes	Yes	Yes
O	Bacillol AF	Yes	Yes	Yes	Yes	Yes	Yes	Yes	Yes
P	Bacillol plus	Yes	Yes	Yes	Yes	Yes	Yes	Yes	Yes
Q	Meliseptol Foam Pure/Fresh	Yes	No	Yes	No	Yes	Yes	Yes	Yes
R	MELISEPTOL	Yes	Yes	Yes	Yes	Yes	Yes	Yes	Yes



1200_300202E.ai

		35	36	37
A	Ethanol (concentration of 99.5% or less)	Yes	Yes	Yes
B	Isopropyl alcohol (concentration of 99.0% or less)	Yes	Yes	Yes
C	Type FO	Yes	Yes	—
D	Mikrobac Tissue	Yes	Yes	—
E	Clinell wipes	Yes	Yes	—
F	SUPER SANI-CLOTH PDI	Yes	Yes	Yes
G	SANI-CLOTH PLUS PDI	Yes	Yes	Yes
H	SANI-CLOTH AF PDI	—	—	—
I	SANI-CLOTH Bleach Wipe PDI	—	—	Yes
J	CALTECH DISPATCH	—	—	Yes
K	Mikrozid AF Liquid	Yes	Yes	Yes
L	Mikrozid AF Wipes	Yes	Yes	Yes
M	Bacillol@30Form	No	No	Yes
N	MELISEPTOL rapid	Yes	Yes	Yes
O	Bacillol AF	Yes	Yes	Yes
P	Bacillol plus	Yes	Yes	Yes
Q	Meliseptol Foam Pure/Fresh	Yes	Yes	Yes
R	MELISEPTOL	Yes	Yes	Yes