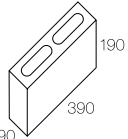
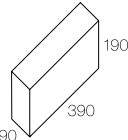
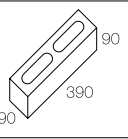
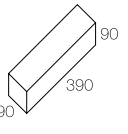
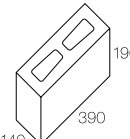
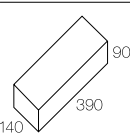


100mm range		Number of units per pallet
	Partition No. 10-01	158
	Solid Partition No. 10-31	126
	Half Height Partition No. 10-71	315
	Solid Half Height Partition No. 10-83	315

Fractions of 3/4, 1/2 and 1/4 available.

150mm range		Number of units per pallet
	Double Corner No. 15-01	95
	Half Height Solid No. 15-83	152

Fractions of 3/4, 1/2 and 1/4 available.

Honing

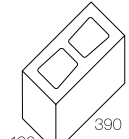
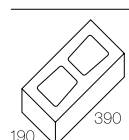
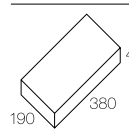
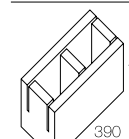
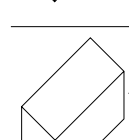
Our exclusive process whereby product face is polished exposing aggregates and producing a stylish finish. Thickness may be reduced due to honing. Blocks and bricks honed to order.

Weathered/Shot Blast

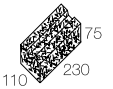
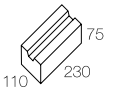
Ask about our exclusive weathered/shot blast finish which produces a textured aged appearance.

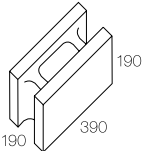
BEST Coloured masonry

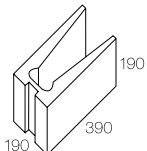
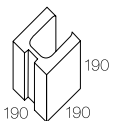
Ask about our coloured range of masonry blocks and bricks. We are able to produce our masonry units in the same range of colours as the Traditional Paver range. Made to order, minimum quantities apply.

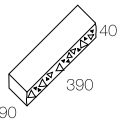
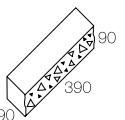
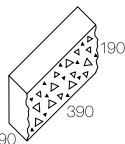
200mm range		Number of units per pallet
	Double Corner No. 20-01	90
	Double Corner Half Height No. 20-71	150
	Capping Tile No. 50-31	300
	Knock-out Bond Beam No. 20-20	75
	Solid Double Corner No. 20-31	60

Fractions of 3/4, 1/2 and 1/4 available.

Bricks	Number of units per pallet
 Bestex with Frog No. 120-75	480
 Traditional Brick with Frog No Code	480

Blocks to be grout filled	Number of units per pallet
 Double U Block No. 20-91	75

Lintels	Number of units per pallet
 Deep Lintel Sash No. 20-14	110
 Lintel Sash No. 20-15	240

Split Face blocks	Number of units per pallet
 Quarter Height No. 10-117	600
 Half Height No. 10-109	252
 Full Height No. 10-101	120

Honing

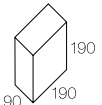
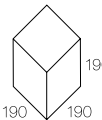
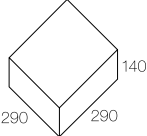
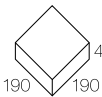
Our exclusive process whereby product face is polished exposing aggregates and producing a stylish finish. Thickness may be reduced due to honing. Blocks and bricks honed to order.

Weathered/Shot Blast

Ask about our exclusive weathered/shot blast finish which produces a textured aged appearance.

BEST Coloured masonry

Ask about our coloured range of masonry blocks and bricks. We are able to produce our masonry units in the same range of colours as the Traditional Paver range. Made to order, minimum quantities apply.

Footing blocks	Number of units per pallet
 Pier Block No. 10-33	240
 Pier Block No. 20-33	120
 Base Block No. 30-350	60
 Spacer No. 50-33	600

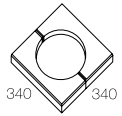
Accessories

Specifications



I.P. Surrounds

Colour range



Inspection Point Surrounds
340 x 340 x 50mm
Internal Diameter - 235mm

Charcoal
Red