

KETRA

D4R RETROFIT DOWNLIGHT

Project: _____
 Comments: _____
 Prepared By: _____



HARDWARE ORDERING GUIDE

D4R	FX	RD	<input type="text"/>	<input type="text"/>	BT	<input type="text"/>	11	<input type="text"/>	<input type="text"/>	<input type="text"/>
Model	Fixture Style	Fixture Shape	Regress Depth	Baffle	Platform/ Control	Beam Angle	Region/ Voltage	Trim Color	Power Rating	Packaging
<u>Model</u>	<u>Code</u>		<u>Code</u>			<u>Code</u>		<u>Code</u>		
4" Retrofit Downlight	D4R		Baffle			Trim Color		Code		
			No Baffle			White		WH		
			White Baffle			Black		BK		
			Black Baffle							
<u>Fixture Style</u>			<u>Platform/ Control</u>			<u>Power/ Housing Rating</u>				
Fixed	FX		Wide Gamut, Tunable			BT		13W, Plenum, Air Tight		
								8.5W, ICAT		
								13PLEN		
								08ICAT		
<u>Fixture Shape</u>	<u>Code</u>		<u>Beam Angle</u>							
Round	RD		Spot (15°)			15				
			Flood (25°)			25				
			Wide Flood (40°)			40				
			Very Wide Flood (60°)			60				
			Extra Wide Flood (90°)			90				
<u>Regress Depth</u>	<u>Code</u>		<u>Region/ Voltage</u>			<u>Code</u>				
Flush (0") (No Baffle)	00		North America, 120V 60Hz			11		Packaging		
Half Inch (0.5")	05							Single Pack		
One inch (1")	10							Bulk Pack (6 fixtures)		
Two Inch (2")	20							Job Pack (Pallet)		
								SP		
								BP		
								JP		

770-000035-01 r13
 Specifications are subject to change without notice

SPECIFICATIONS¹

OPTICAL & ELECTRICAL PERFORMANCE

Lumen Output ²	D4R.13PLEN 800lm D4R.08ICAT 600lm
CRI (Ra) ³	>90 (R9 >90)
Lumen Maintenance ³	50,000 hours to L70 @ 25°C TA
Color Spatial Uniformity	<2 MacAdam ellipses across field angle
Color Point Maintenance ³	<1 MacAdam ellipse over product lifetime
Dimming Range ⁴	0.1-100% lm

ENVIRONMENTAL

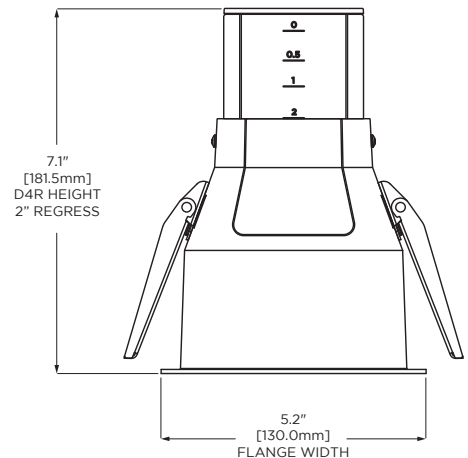
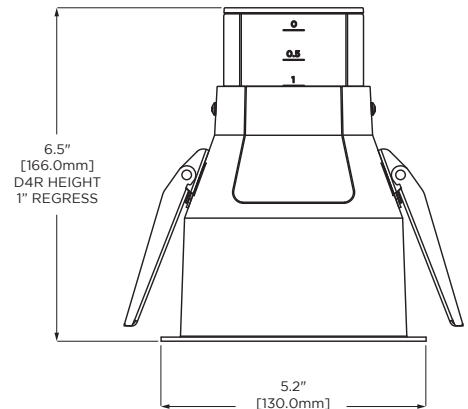
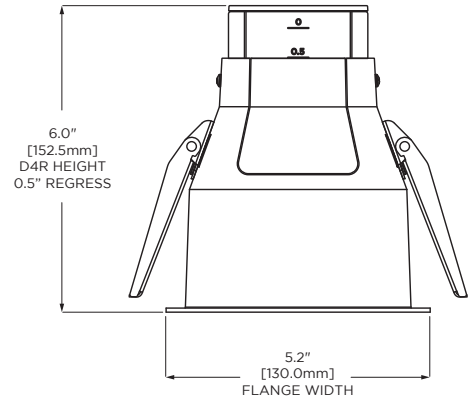
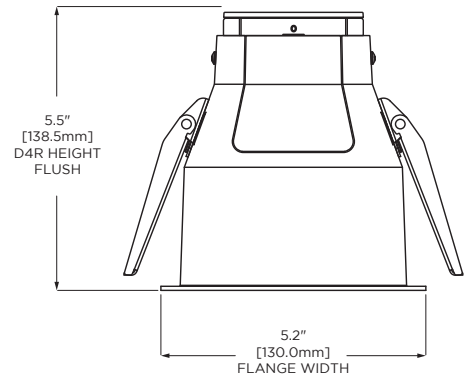
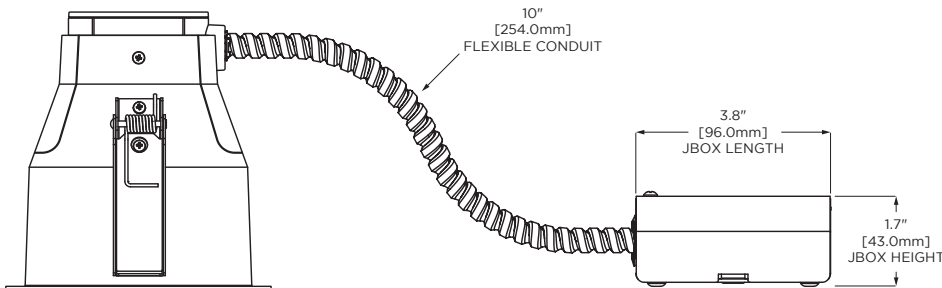
Operating Temperature	0 to 50°C
Storage Temperature	-20 - 80°C
Humidity	0 - 95%, Non-condensing
Certification	UL, cUL, RoHS, FCC Class B
Location	UL Damp Location, IP20, Plenum & IC-rated versions are airtight, & Plenum-rated must be used only in non-insulation contact locations

MECHANICAL

Weight	2.65lbs, 1200 g
Housing Material	Powder Coated Aluminum, ABS Plastic, Corrosion Protected Steel
Lens Material	UL F1 outdoor rating for UV and water contact PMMA

ELECTRICAL

Power consumption	D4R.13PLEN 13W D4R.08ICAT 08.5W
Power Factor	>0.9
Current	142 mA Max
Efficacy ¹	D4R.08 75 lm/W D4R.13 62 lm/W



¹ All performance measurements taken at 1" regresses depth, 3000K, 25°C ambient, 100% power input, with a white baffle, unless otherwise stated.

² Lumen measurement complies with IES LM-79-08 testing procedures.

³ Lumen maintenance values calculated in accordance to TM-21 procedures based on LM-80 compliant measurement data.

⁴ Intensity and color point controlled via Ketra's wireless network




CAD files available upon request

770-000035-01 r13



Specifications are subject to change without notice

COMPONENT ORDERING GUIDE

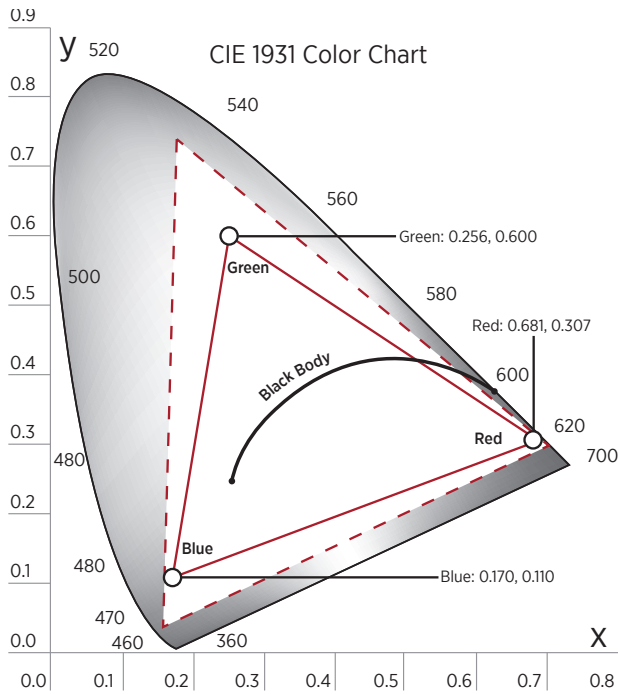
REPLACEMENT LIGHT ENGINE

D4R	LE		11		
Model	Component	Beam Angle	Region/ Voltage	Color	Power Rating
		Code		Code	
Model		Region/ Voltage			
4" Retrofit Downlight		D4R		North America, 120V 60Hz 11	
Component		Color			
Light Engine		LE		White WH Black BK	
Beam Angle		Power/ Housing Rating			
Spot (15°)		15		13W, Plenum 13PLEN	
Flood (25°)		25		8.5W, ICAT 08ICAT	
Wide Flood (40°)		40			
Very Wide Flood (60°)		60			
Extra Wide Flood (90°)		90			

REPLACEMENT BAFFLE

D4R	BF	RD		
Model	Component	Baffle Shape	Regress Depth	Color
		Code		
Model				
4" Retrofit Downlight		D4R		
Component				
Baffle		BF		
Baffle Shape				
Round		RD		
Regress Depth				
Half Inch (0.5")		05		
One inch (1")		10		
Two Inch (2")		20		
Color				
White		WH		
Black		BK		

WIDE GAMUT



Ketra's D4R LED Downlight can easily be configured via Ketra's intuitive Design Studio software. The product can reproduce any color point within the triangle shaped gamut indicated in the chart below. With Ketra's innovative optical and thermal feedback system, the color point is maintained to an accuracy of <1 MacAdam ellipse over the lifetime of the product and across operating temperature range.

- Calibrated Gamut: color point is maintained to an accuracy of <1 MacAdam ellipse over the lifetime of the product and across operating temperature range
- - - Expanded Gamut: Color calibration is relaxed such that each product produces the most saturated color it is capable of.

GENERAL SPECIFICATIONS

LED downlight shall employ closed loop optical and thermal feedback capable of maintaining color point accuracy of <1 MacAdam ellipse.

LED downlight shall have color spatial uniformity of <2 MacAdam ellipses over full field angle.

LED downlight shall have an integrated wireless control onboard.

LED downlight shall be capable of a CRI >90 at any point along the Black Body Curve from 2700 - 5000K.

LED downlight shall be a single source multi-die emitter consisting of both monochromatic and phosphor converted blue LED die.

LED downlight shall be sealed, meeting UL damp location requirements.

LED downlight shall be dimmable to 0.1% of measured luminous flux with wireless dimming.

LED downlight shall be UL listed and RoHS compliant.

LED downlight shall be capable of in situ firmware and software upgrades.

Ketra's LED D4R downlight is warranted to be free from material defects in material and workmanship for five (5) years or 25,000 hours from date of shipment, whichever is less.

LED Downlight shall be # _____