

KETRA

6321 E. STASSNEY LN.
SUITE 13-400
AUSTIN, TX 78744
P: 512.347.1100

GENERAL NOTES:

1. KETRANET MESH IS KETRA'S WIRELESS CONTROL PROTOCOL.
2. A NODE IS A KETRANET MESH ENABLED WIRELESS DEVICE.
3. 50 KETRANET MESH NODES MAX. PER INSTALLATION NETWORK.
4. ALL KETRANET MESH NODES TO BE INSTALLED WITHIN 50'-0" RANGE OF THE NEAREST NODE.

FOR REFERENCE ONLY
NOT FOR
CONSTRUCTION

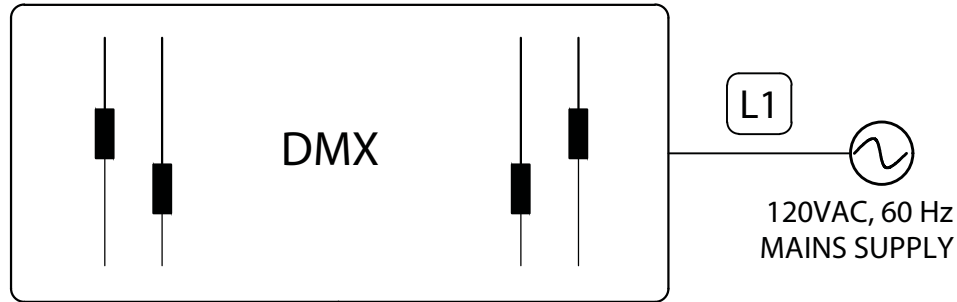
DRAWING TYPE: WD
DRAWING #:
REVISION #: 01
DATE: 05/24/2016
DRAWN BY: CEH
CHECKED BY: GEB
SCALE: NTS

SHEET NAME
KETRA
N3 TO DMX-IN

SHEET

1 OF 1

DMX OUT BY OTHERS

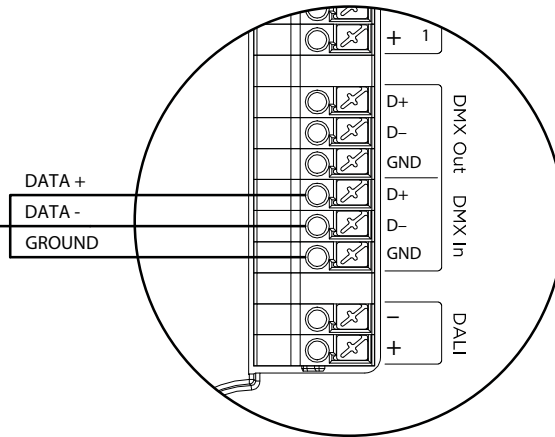


5-PIN XLR	
5-PIN XLR #	SIGNAL
1	SIGNAL COMMON
2	DMX DATA -
3	DMX DATA +
4	(NOT USED)
5	(NOT USED)

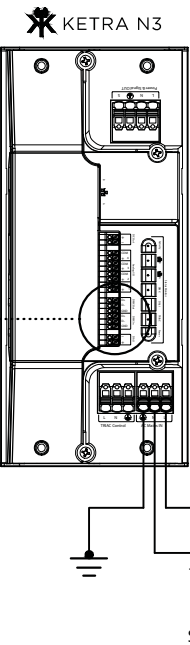
3-PIN XLR	
3-PIN XLR #	SIGNAL
1	SIGNAL COMMON
2	DMX DATA -
3	DMX DATA +

ESTA RJ45 PINOUTS		
RJ45 PIN #	DMX512-A SIGNAL	WIRE COLOR
1	DMX_DATA+	ORANGE/WHITE
2	DMX_DATA-	ORANGE
7	GND	BROWN/WHITE

D1



50 KETRANET MESH NODES
PER INSTALLATION NETWORK



KEY

- L1** 12 AWG, 3 WIRE
- D1** BELDEN-9729 OR EQUIVALENT DMX, 2 TWISTED PAIRS, SHIELDED
- KETRANET MESH WIRELESS NETWORK