

KETRA

6321 E. STASSNEY LN.
SUITE 13-400
AUSTIN, TX 78744
P: 512.347.1100

GENERAL NOTES:

1. KETRANET MESH IS KETRA'S WIRELESS CONTROL PROTOCOL.
2. A NODE IS A KETRANET MESH ENABLED WIRELESS DEVICE.
3. 50 KETRANET MESH NODES MAX. PER INSTALLATION NETWORK.
4. ALL KETRANET MESH NODES TO BE INSTALLED WITHIN 50'-0" RANGE OF THE NEAREST NODE.

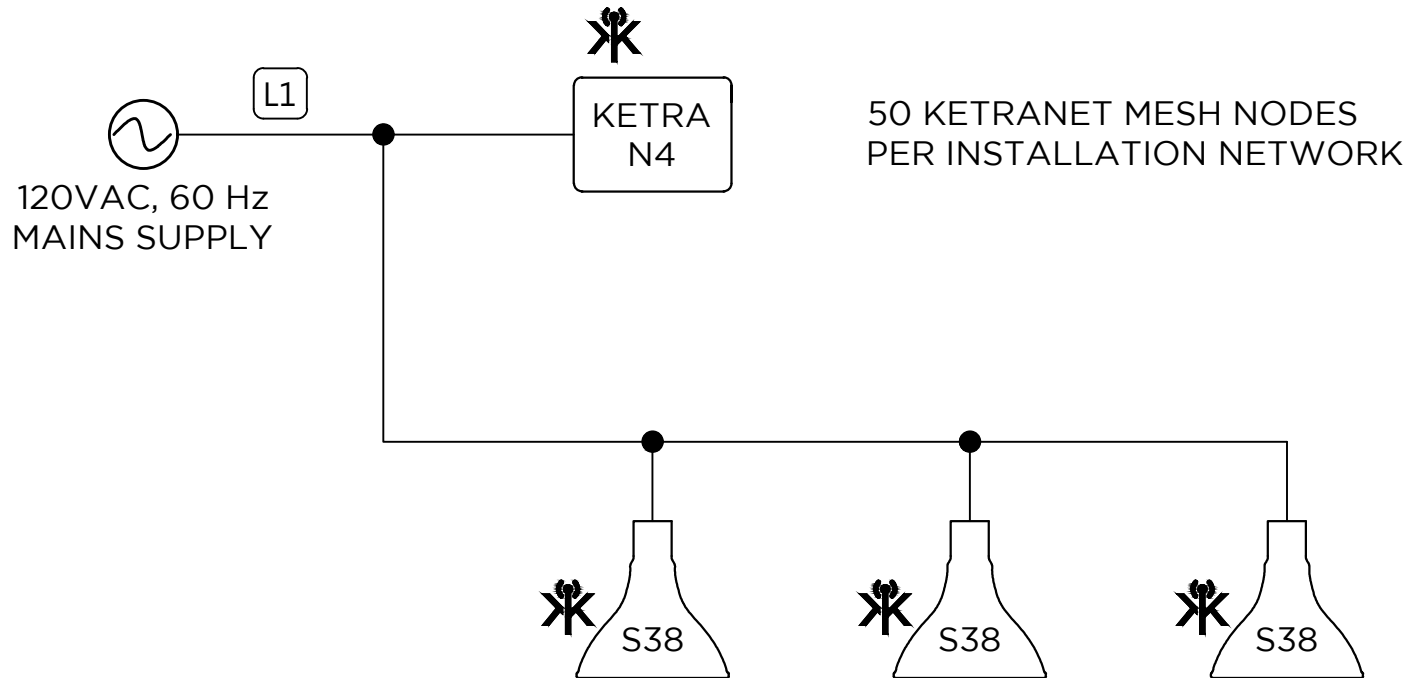
FOR REFERENCE ONLY
NOT FOR
CONSTRUCTION

DRAWING TYPE: OL
DRAWING #:
REVISION #: 00
DATE: 05/16/2016
DRAWN BY: CEH
CHECKED BY: GEB
SCALE: NTS

SHEET NAME
KETRA N4
TO RETROFIT LAMPS

SHEET

1 OF 1



NOTE:
APPLIES TO ALL KETRA
RETROFIT LAMPS S38, S30 & A20.

KEY	
L1	12 AWG, 3 WIRE
KM	KETRANET MESH WIRELESS NETWORK