


KETRA

N3 SATELLITE

Project: _____
 Comments: _____
 Prepared By: _____



HARDWARE ORDERING GUIDE

Model	Region/ Voltage	Installation	Housing Color
N3IND	16		BK
Code			
<hr/>			
N3 Satellite Link, Indoor		N3IND	
<hr/>			
Region/ Voltage			
North America, 100-277V 60Hz			16
<hr/>			
Installation			
Recessed Rated Housing		REC	
Plenum Rated Housing		PLE	
<hr/>			
Housing Color			
Black			BK

Enables Ketra's luminaires to join the Ketra control network

Wireless network for easy installation

On-board content storage and astronomical time clock

Multiple control inputs and outputs for integration of third-party control and lighting products

Compatible with standard occupancy and daylight sensors

PERFORMANCE SUMMARY

ENVIRONMENTAL

Operating Temperature	-20 to 50°C
Storage Temperature	-20 to 80°C
Humidity	0 - 95%, Non-condensing
Certification	UL, cUL, FCC Class A, RoHS
Location ¹	UL Damp Location, IP20

MECHANICAL

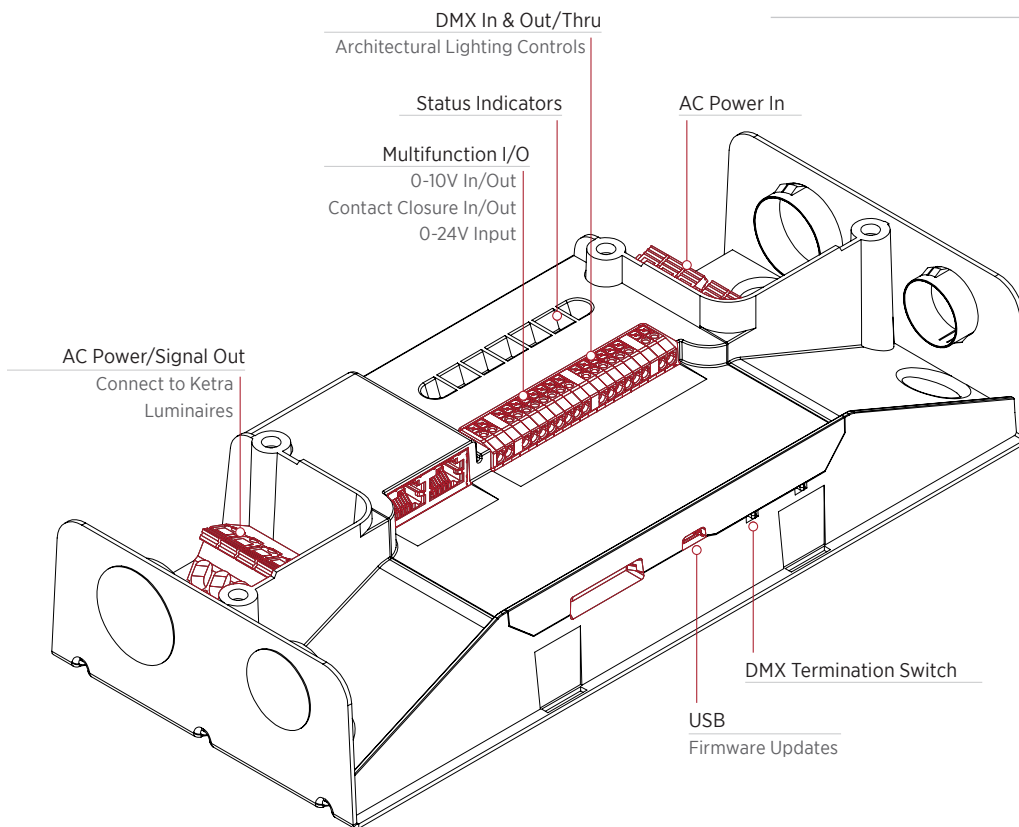
Weight	2.93 lbs, 1.33 kg
Housing Material	Formed Steel, Polymer

POWER

Load Ratings	Per Unit: 16Amps @ 120 VAC, 60 Hz (20 Amps de-rated to 80%)
Power Requirements	Unit consumes 5W electrical power Current: 041 Amps @ 120VAC
To compute total load, add 5W to sum of all connected luminaire power ratings.	
Voltage	120-277VAC 60Hz

ENCLOSURE/ CONNECTIONS

Connections (Class 1)	
AC Power In (3 Conductor 100-277VAC 60Hz)	10-16AWG
AC Power Out (4 Conductor)	Standard Ketra Leader Cable or 10-16 AWG
Connections (Class 2)	
Multifunction I/O (4 channels)	16-24 AWG
Max Voltage per channel:	30 Volts DC
0-10V Input/Output	
0-10V Sinking	
Max Current Per Channel:	100 mA
Max Total Current:	200 mA
0-10V Current Sourcing	
Max Current Per Channel:	less than 5 uA
0-24V Input	
Voltage Range:	0 to 24 volts
Contact closure mode	
Maximum output sink current (per channel):	1.0 A
DMX Input and Thru/ Full Universe of DMX Out	
KetraNet Mesh™ Wireless	
USB Port	1 - Micro-B USB console port, for firmware updates



Note: USB port not accessible with cover installed. Allow clearance around product for access after installation

¹ Product includes on-board wireless radio for communications. Do not enclose in metallic enclosure as it may impact radio performance.

