

KETRA

P4 4" WIDE PENDANT

Project: _____
 Comments: _____
 Prepared By: _____



High performance stand alone pendant fixture

Tunable spectrum single point source produces wide range of white, pastels & saturated colors

Closed-loop color point maintenance to <1 MacAdam ellipse over lifetime and temperature

Programmable digital dimming to 0.1%

Connects with Ketra's N3 Satellite for power, wireless control and connection to Ketra's library of light content

Ketra's technology ensures consistent appearance and guaranteed compatibility over LED technology generations

HARDWARE ORDERING GUIDE

HOUSING

P4	<input type="checkbox"/>	<input type="checkbox"/>	BT	<input type="checkbox"/>	<input type="checkbox"/>	<input type="checkbox"/>	<input type="checkbox"/>	<input type="checkbox"/>	<input type="checkbox"/>	<input type="checkbox"/>	<input type="checkbox"/>
Model	Length	Lumens	Platform & Control	Lens Type	Region/ Voltage	Housing Color	Ceiling Type	Aircraft Cable Length	Cabling	Cable Color	Canopy
Code			Code			Code			Code		
Model	4" Wide Pendant		P4	Lens Type	Flush Opal		FO	Aircraft Cable Length	36 inches		36
					Alzak Louver		AL		72 inches		72
Length	48 inches		048	Region/ Voltage	North America, 120VAC 60Hz		11	Cabling	Input Only (5" or 2" canopy for non-powered point)		1
	72 inches		072		North America, 277VAC 60Hz		12		Input & Output (5" canopy only)		2
	96 inches		096								
Lumens	400 lm/ft		04	Housing Color	Matte White		MW	Cable Color	White		W
	600 lm/ft		06		Matte Black		MB		Black		B
	800 lm/ft		08								
Platform & Control	Wide Platform, Tunable		BT	Ceiling Type	Hard Ceiling		C1	Canopy	5" White		5W
					T-Bar		C2		2" White (non-powered point)		2W
									5" Black		5B
									2" Black (non-powered point)		2B

770-000041-01-r12

Specifications are subject to change without notice

SPECIFICATIONS¹

OPTICAL PERFORMANCE

Lumen Output ²	P4.04 408lm/ft P4.06 608lm/ft P4.08 817lm/ft
CRI (Ra) ³	>90
Lumen Maintenance ³	50K Hours to L70@25°C Ambient
Color Spatial Uniformity ³	<2 MacAdam ellipses across field angle
Color Point Range ⁴	1,400-10,000K, Pastel and Saturate colors
Beam Angles	80x95°
Dimming Range ⁴	0.1-100% lm output

ENVIRONMENTAL

Ambient Operating Temperature	-20 to 50°C
Storage Temperature	-20 - 80°C
Humidity	0 - 95%, Non-condensing
Certification	UL, cUL, RoHS
Location	UL Damp Location, IP20

MECHANICAL

Weight	1.35 lbs, 600 g
Housing Material	Powder Coated Aluminum, Polymer
Lens Material	Non-yellowing heat/ UV stabilized PMMA
Housing Material	Powder Coated Aluminum

FORM FACTOR

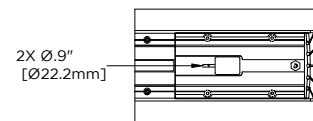
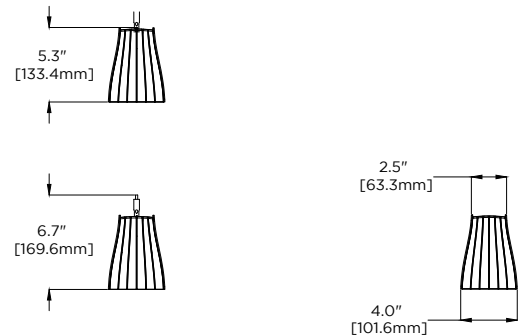
Dimensions	Length	Height	Width
	98"	5.3"	
	74"	(6.7" with mounting hardware)	4"
	50"		

ELECTRICAL

Power consumption	P4.04 7.9W/ft P4.06 10.4 W/ft P4.08 13.5 W/ft
Power Factor	>0.9
Current	0.140 A/ft Max
Efficacy	P4.04 51.6 lm/W P4.06 58.5 lm/W P4.08 60.5 lm/W
Max. qty of fixture length per N3 power feed	40
Max total run length, including cable, per N3	100ft

ACCESSORIES

N3 Satellite	N3IND1RECBK
N3 Satellite Plenum Rated	N3IND1PLEBK



DETAIL A
SCALE 1 : 5

¹ All performance measurements taken with fixture stabilized at 25°C ambient, 100% power input, unless otherwise stated, within CCT range of 2700 - 5000K.

² Lumen measurement complies with IES LM-79-08 testing procedures.

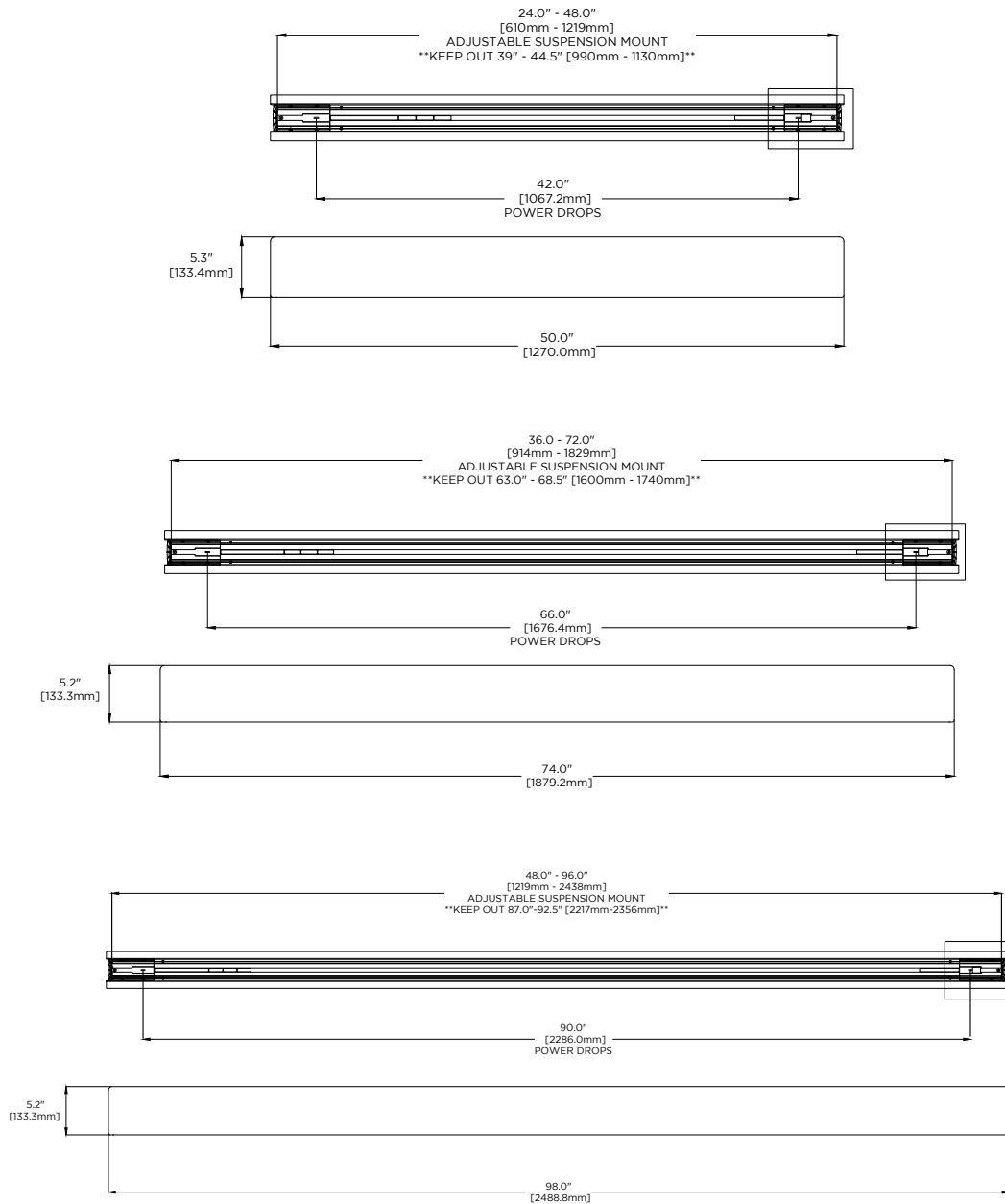
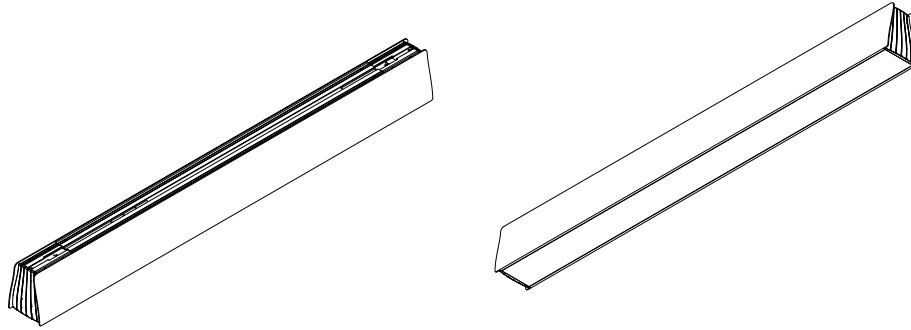
³ Lumen maintenance values calculated in accordance to TM-21 procedures based on LM-80 compliant measurement data.

⁴ Intensity and color point controlled via Ketra's wireless network

KETRA

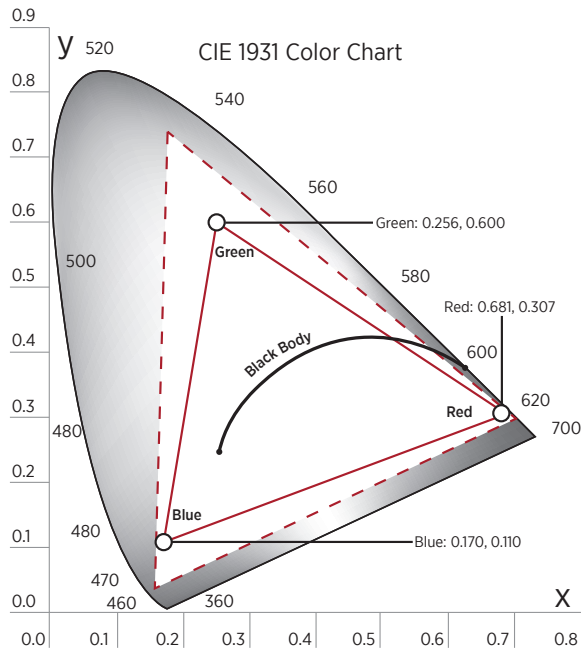
P4 4" WIDE PENDANT

DIMENSION DRAWINGS



770-000041-01-r12
 Specifications are subject to change without notice

WIDE GAMUT



Ketra's P4 Linear Pendant can easily be configured via our intuitive Design Studio software. The product can reproduce any color point within the triangle shaped gamut indicated in this illustration. With Ketra's innovative optical and thermal feedback system, the color point is maintained to an accuracy of <1 MacAdam ellipse over the lifetime of the product and across operating temperature range.

- Calibrated Gamut: color point is maintained to an accuracy of <1 MacAdam ellipse over the lifetime of the product and across operating temperature range
- - - Expanded Gamut: Color calibration is relaxed such that each product produces the most saturated color it is capable of.

GENERAL SPECIFICATIONS

LED Luminaire shall employ closed loop optical and thermal feedback capable of maintaining color point accuracy of <1 MacAdam ellipse.

LED Luminaire shall have color spatial uniformity of <2 MacAdam ellipses over full field angle.

LED Luminaire shall be capable of a CRI >90 at any point along the Black Body Curve from 2700 - 5000K.

LED Luminaire shall be a single source multi-die emitter.

LED Luminaire shall be sealed, meeting UL damp location and IP 20 requirements.

LED Luminaire shall be dimmable to 0.1% of measured luminous flux with digital dimming.

LED Luminaire shall be UL listed and RoHS compliant.

LED Luminaire shall be capable of in situ firmware and software upgrades.

Lamp shall be # _____