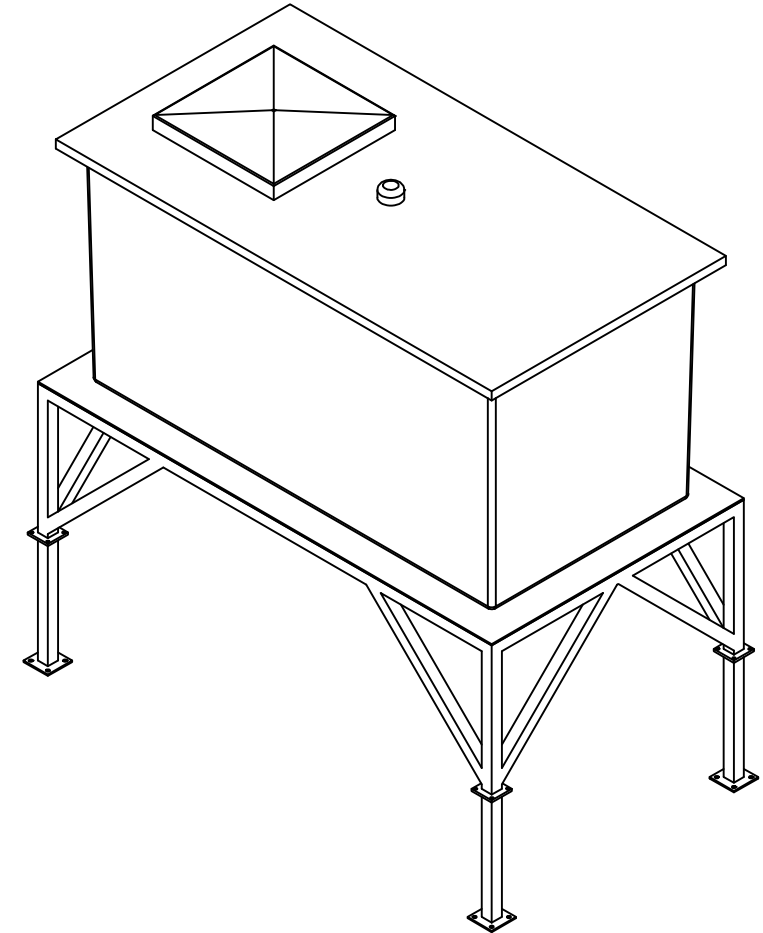



REVISION HISTORY			
REV	DESCRIPTION	DATE	APPROVED



DRAWN	NAME	DATE		
CHECKED	nigel	24/05/12		
ENG APPR				
MGR APPR				
UNLESS OTHERWISE SPECIFIED DIMENSIONS ARE IN MILLIMETERS ANGLES ±X.X° 2 PL ±X.XX 3 PL ±X.XXX			TITLE	REV
SIZE	DWG NO	ELEVATANK 2000	FILE NAME: ELEVATANK 2000.dft	A
SCALE:	WEIGHT:	SHEET 1 OF 1		