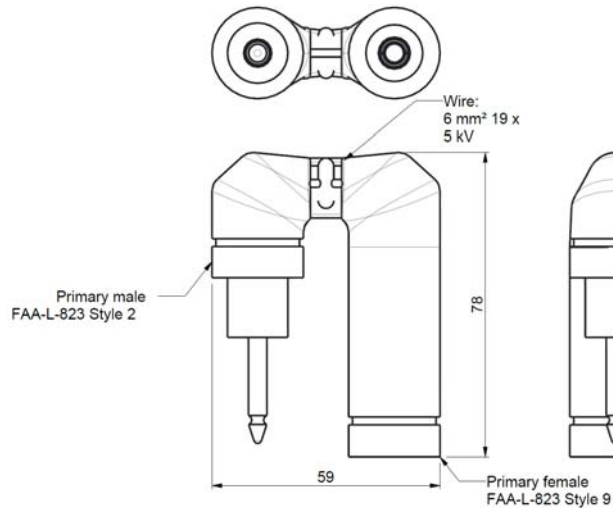


KDCA-U-29 primary connector adapter

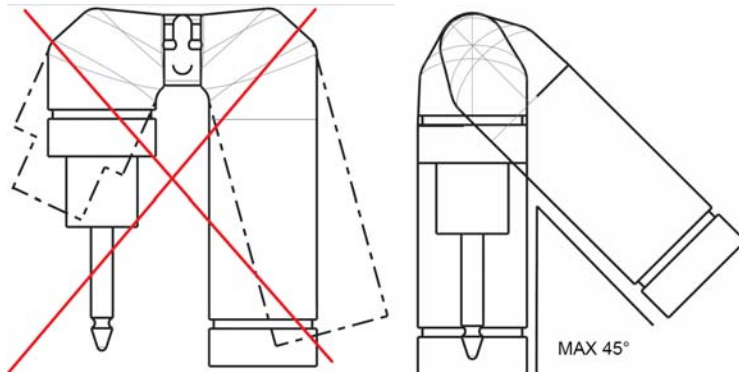


Adapter for connecting primary female and male in 180° angle. Especially designed to save space in installations.

The unit is meant for permanent, stationary installations.

**FAA-L-823 Styles 9 and 2
Wiring 6mm², 19 strands, 5kV**

NOTE! THIS PRODUCT SHOULD BE HANDLED AND INSTALLED ONLY BY PERSONNEL QUALIFIED TO WORK WITH HIGH VOLTAGES. EXCESSIVE BENDING, TWISTING OR ABUSE MAY BREAK THE UNIT AND CAUSE DANGER TO LIFE.



Sideways bending is not allowed. Max twist angle during installation/disconnection is 45°.

Installation:

1. Disconnect voltage supplies and ground all circuits.
2. Connect female and male connectors to the corresponding connectors on U-29. Do not bend unit sideways. Do not exceed 45° twist angle.
3. Install locking devices between U-29 and male and female connectors
4. After the locking devices have been installed, the connectors can be taped or heat/cold shrink tubing applied. Do not bend unit sideways. Do not exceed 45° twist angle.
5. After connection make sure that the U-29 is not bent or twisted

Disconnecting:

1. Disconnect voltage supplies and ground all circuits.
2. Remove tape/tubing (if applied)

Disconnect connectors from U-29. Do not bend unit sideways. Do not exceed 45° twist angle. Do not use any tools or excessive force when disconnecting

Liability for defects: This product will perform within the recommended operational ratings when installed and operated in accordance with these instructions. EFLA Oy liability is limited to replacement of component parts designed and manufactured by EFLA Oy which are proved to be defective in design, workmanship or material. For further details see our conditions of sale downloadable at www.efla.net.