

MOONEY AIRCRAFT INC.
KERRVILLE, TEXAS

SERVICE LETTER 20-4
SERVICE BULLETIN M 20-4

DATE: 5-1-56

SUBJECT: Carburetor Float Height

MODELS AFFECTED: M-20 Serial Nos. 1002 thru 1008, 1010 thru 1026

Upon examination of a number of carburetors it was found that the float height was incorrect. This situation causes engine roughness. All carburetors are now being inspected by Mooney Aircraft for proper float height before installation.

The following procedure is recommended for the aircraft listed above in which engine roughness is noted.

1. Having removed the carburetor from the engine detach the throttle body from the bowl assembly.
2. Inspect and set the float height if necessary as shown in figure 1.

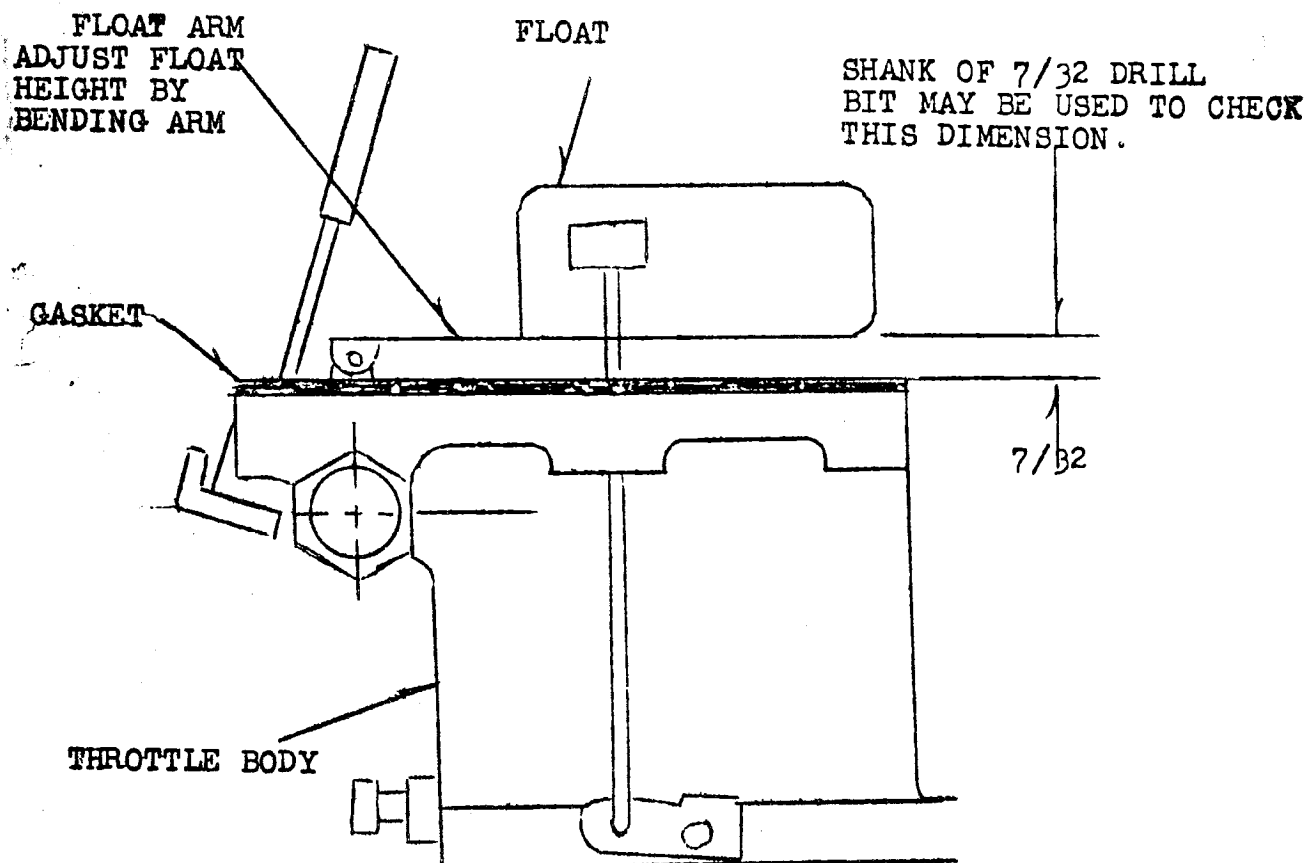


Figure 1.