

Service Letter



NUMBER 20-130

DATE: 9-29-1965

(This Service Letter is FAA Form 337-1 Approved)

This Service Letter reidentified as
Service Bulletin M 20-130
per Service Instruction M20-15.

SUBJECT: Electric Gear Wiring

MODELS AFFECTED: M20C, M20D, and M20E with Electric Landing Gear
(see attached list for serial numbers of aircraft affected)

TIME OF COMPLIANCE: Next 100 hours

INTRODUCTION: Owners of aircraft equipped with electric gear must change the wiring to separate the gear warning system from the actuator electrical system. This new wiring will allow the gear warning horn to function continuously when the throttle is closed until the gear is down and locked. The green gear down and locked position light will only function when the gear is down and locked.

- INSTRUCTIONS:**
1. Using schematic as shown in Figure 1, remove 950090-33 and 950090-37 wires.
 2. Remove existing up and down limit switches BZ-7R55T and replace with DT-2R-A7 micro switches.
 3. Using Figure 2 and Figure 3, add the following wires: 950090-63, 950090-65, 950090-67, 950090-69, and 950090-73.
 4. Remove amp 32446 knife disconnect from -29 wire. Attach amp 32448 to 950090-29 and -69 wires.
 5. Check operation of system. Green light should not come on until gear is down and locked and gear horn should operate continuously until gear is down and locked with the throttle closed.

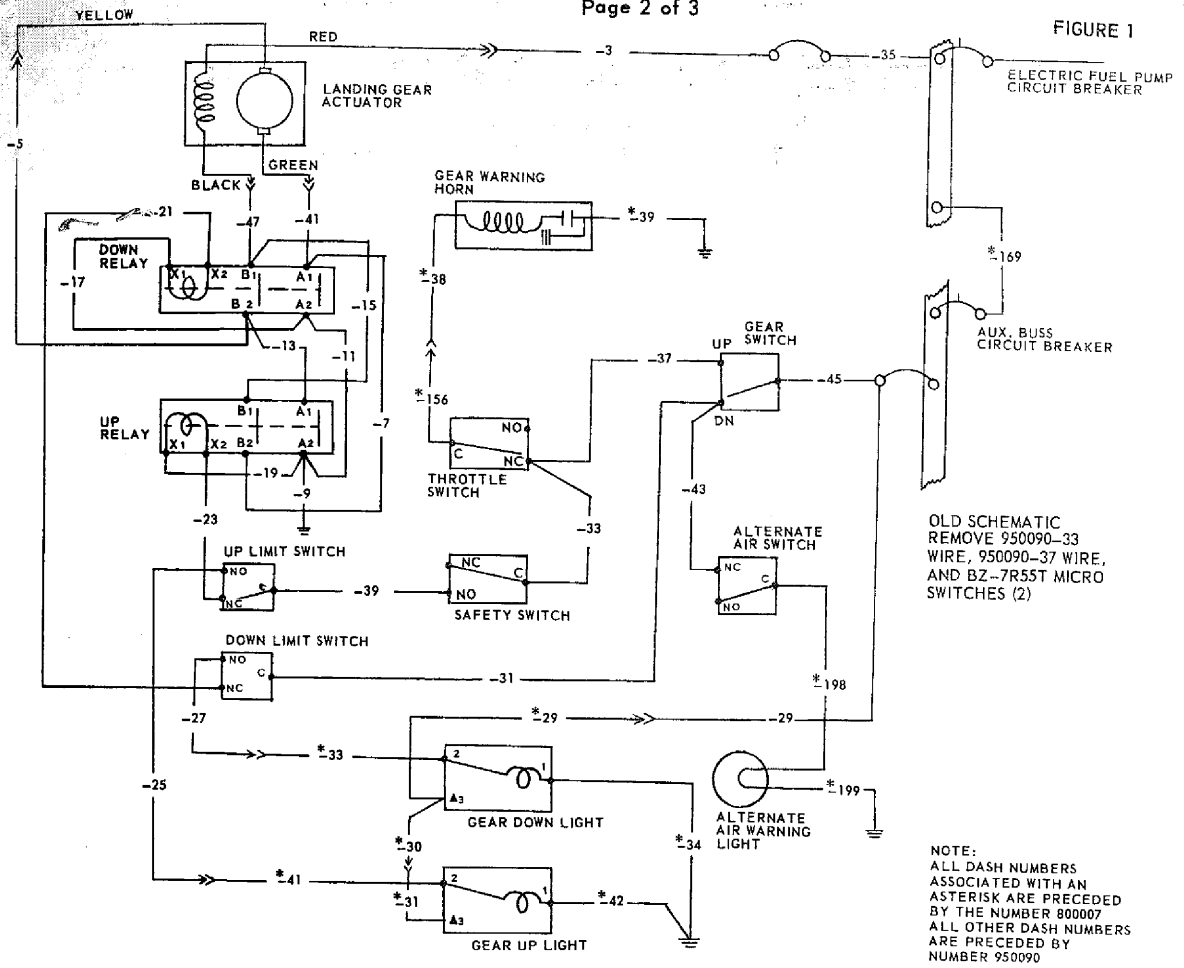
COMPLIANCE: Fill out the enclosed compliance card and return to Customer Service, Mooney Aircraft, Inc.

SERVICE LETTER KIT NO. 20-130

PARTS LIST:	950090-63 Wire	1
	950090-65 Wire	1
	950090-67 Wire	1
	950090-69 Wire	1
	950090-73 Wire	1
	DT-2R-A7 micro switches	2
	Amp 32448 Knife disconnect	1

These kits may be ordered from your local Mooney distributor. Direct factory orders will not be accepted.

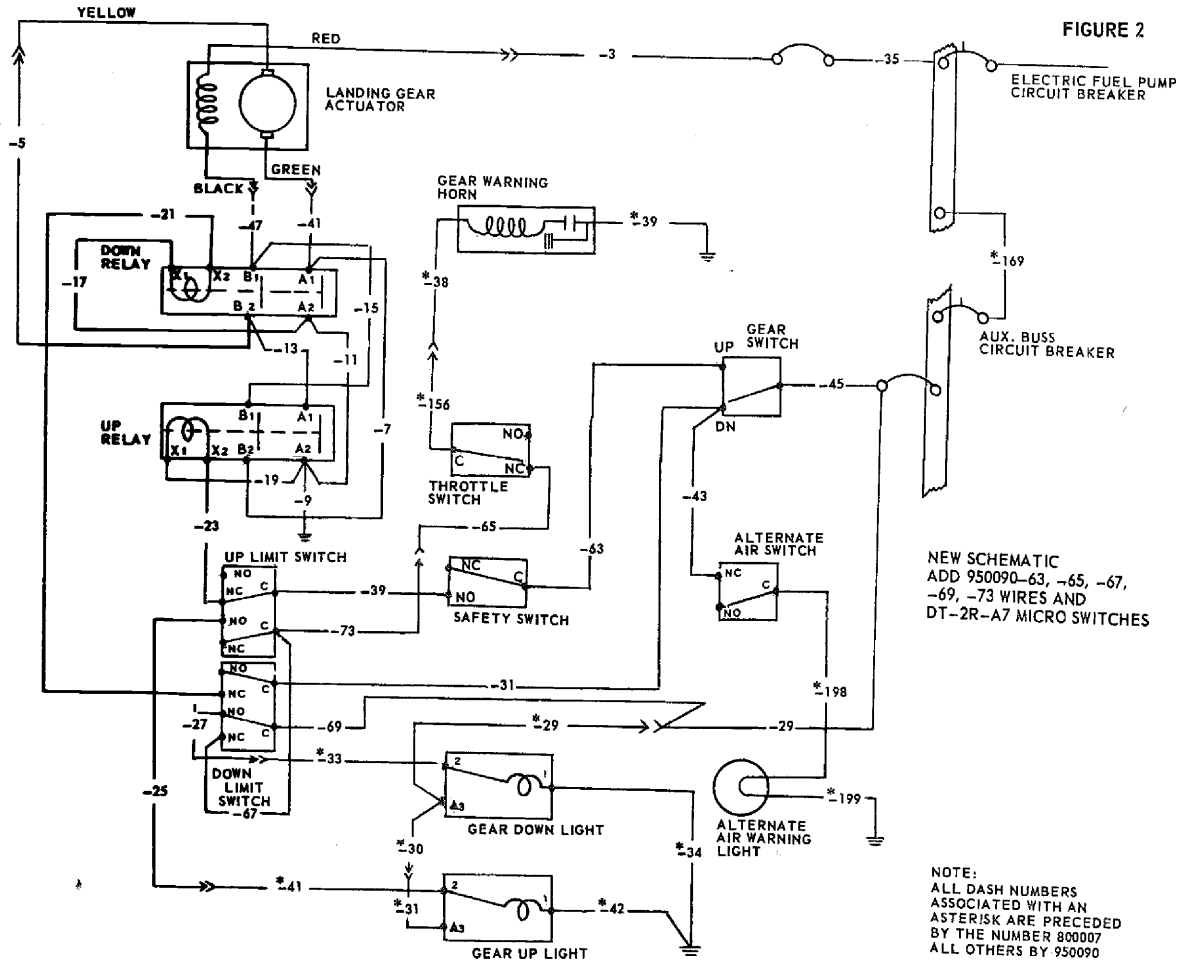
FIGURE 1



OLD SCHEMATIC
REMOVE 950090-33
WIRE, 950090-37 WIRE,
AND BZ-7R55T MICRO
SWITCHES (2)

NOTE:
ALL DASH NUMBERS
ASSOCIATED WITH AN
ASTERISK ARE PRECEDED
BY THE NUMBER 800007
ALL OTHER DASH NUMBERS
ARE PRECEDED BY
NUMBER 950090

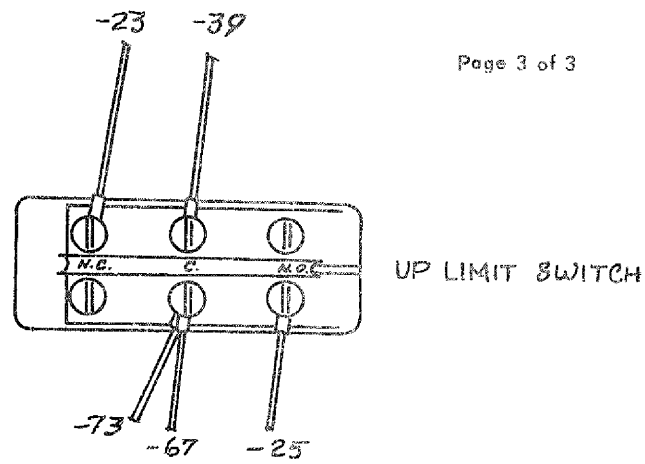
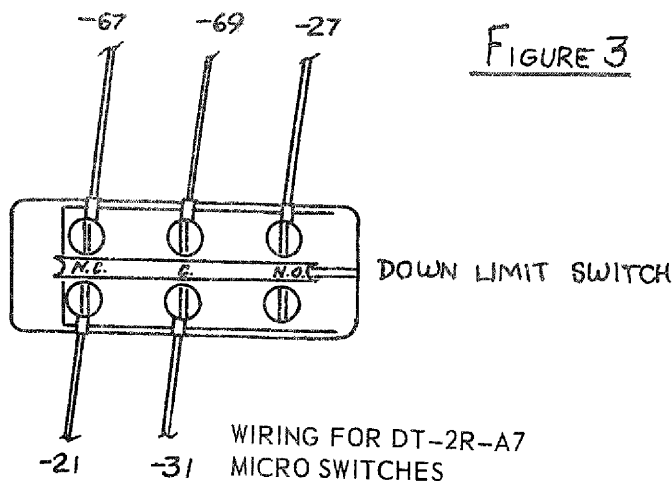
FIGURE 2



NEW SCHEMATIC
ADD 950090-63, -65, -67,
-69, -73 WIRES AND
DT-2R-A7 MICRO SWITCHES

NOTE:
ALL DASH NUMBERS
ASSOCIATED WITH AN
ASTERISK ARE PRECEDED
BY THE NUMBER 800007
ALL OTHERS BY 950090

FIGURE 3



WIRING FOR DT-2R-A7
MICRO SWITCHES
SERVICE LETTER NO.: 20-130

INSTALL WASHER BETWEEN SWITCH
& WIRE TERMINALS (TYP. ALL CONNECTIONS)

MODEL	SERIAL NO.	REGISTRATION NO.	MODEL	SERIAL NO.	REGISTRATION NO.
M20C	2663	1382W	M20E	589	79381
M20C	2808	7802V	M20E	599	7819V
M20C	2816	7853V	M20E	602	7895V
M20C	2825	7862V	M20E	604	5502Q
M20C	2863	79394	M20E	606	5506Q
M20C	2913	78898	M20E	614	5522Q
M20C	2920	79805	M20E	615	5524Q
M20C	2930	79392	M20E	620	5534Q
M20C	2945	5513Q	M20E	625	5544Q
M20C	2957	5537Q	M20E	627	5548Q
M20C	2960	5543Q	M20E	636	5566Q
M20C	2961	5545Q	M20E	637	5568Q
M20C	2969	5561Q	M20E	639	5572Q
M20C	2971	5565Q	M20E	641	5576Q
M20C	2971	79851	M20E	646	5596Q
M20C	2995	79334	M20E	650	YV-T-PTM
M20C	2998	5601Q	M20E	652	79848
M20C	2999	5607Q	M20E	653	79853
M20C	3002	5619Q	M20E	654	79858
M20C	3008	5639Q	M20E	657	CF-RSZ
M20C	3018	5641Q	M20E	658	5604Q
M20C	3019	5645Q	M20E	666	5620Q
M20C	3021	5683Q	M20E	668	5624Q
M20C	3040	5542Q	M20E	669	5626Q
M20C	3050	5708Q	M20E	675	5638Q
M20C	3056	5726Q	M20E	677	5642Q
M20C	3065	5764Q	M20E	686	5660Q
M20C	3084	5768Q	M20E	690	5668Q
M20C	3086	5854Q	M20E	694	5676Q
M20C	3136	5876Q	M20E	711	5703Q
M20C	3146	6939U	M20E	718	5719Q
M20E	309	6688R	M20E	720	5723Q
M20E	431	7839V	M20E	721	5725Q
M20E	461	79830	M20E	726	5735Q
M20E	494	79865	M20E	730	5743Q
M20E	528	79866	M20E	737	5757Q
M20E	529	79326	M20E	744	5771Q
M20E	536	79328	M20E	747	5776Q
M20E	538	YV-T-PTH	M20E	751	5785Q
M20E	544	79335	M20E	752	5787Q
M20E	545	79341	M20E	756	5795Q
M20E	551	79341	M20E	758	5799Q
M20E	553	CS-ALG	M20E	761	XB-MIA
M20E	554	CS-ALS	M20E	772	5813Q
M20E	558	79348	M20E	781	5831Q
M20E	571	79361	M20E	782	5833Q
M20E	573	XB-WOO	M20E	785	5839Q
M20E	577	79367	M20E	787	5843Q
M20E	579	79369	M20E	809	5889Q
M20E	580	79370	M20E	812	5895Q
M20E	582	79372	M20E	813	5897Q
M20E	584	79374			
M20E	586	79376			
M20E	587	79377			