



SUBJECT: HEATER DUCT/CLAMP INSTALLATION

MODELS AFFECTED: Mooney Models M-20C S/N: 690001 thru 690098
700001 thru 700076
M-20G S/N: 690001 thru 690020
700001 thru 700006

TIME OF COMPLIANCE: MANDATORY compliance within the next annual or 100-hour inspection, whichever comes first.

INTRODUCTION: Reports have been received of the heater duct contacting the right rear exhaust pipe resulting in deterioration of the duct. To preclude this condition accomplish the following instructions.

INSTRUCTION I: Installation of Heater Duct Clamp
(Mandatory Compliance - S.B. Kit 20-178-1)
Install AN 735-28 and AN 735-43 clamps and hardware on heater duct and exhaust pipe as shown on sketch on Page 2 of 2.

INSTRUCTION II: Replacement of Heater Duct
(Optional Compliance - S.B. Kit 20-178-2)
Replace existing heater duct with duct P/N 760016-513

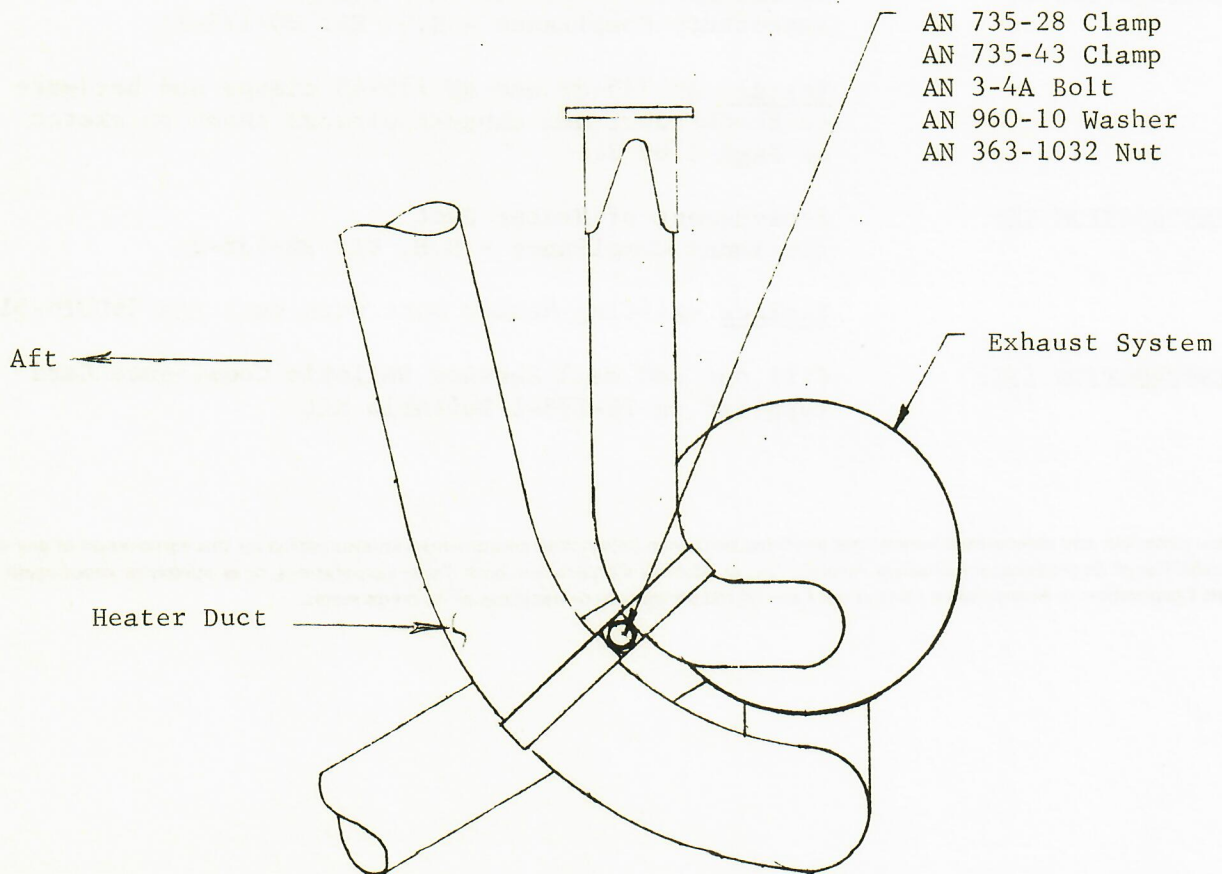
INSTRUCTION III: Fill out and mail Service Bulletin Compliance Card supplied in 20-178-1 Bulletin Kit.

Neither this document (nor any amendment hereto) nor anything contained herein shall be construed an assumption by this corporation of any of the obligations or liabilities of its predecessors, Mooney Aircraft, Inc. or Mooney Corporation, both Texas corporations, or as otherwise imposing on Mooney Aircraft Corporation (a Pennsylvania corporation) any of the obligations or liabilities of its predecessors.

SERVICE BULLETIN KITS:

- M20-178-1 Kit: AN 735-28 Clamp-----(1)
 AN 735-43 Clamp-----(1)
 AN 3-4A Bolt-----(1)
 AN 960-10 Washer-----(1)
 AN 363-1032 Nut-----(1)
- Service Bulletin Compliance Card-----(1)
- M20-178-2 Kit: 760016-513 Heater Duct-----(1)

The above bulletin kits may be procured from your local Mooney distributor and service center. Direct factory orders will not be accepted.



SIDE VIEW LOOKING INBD. FROM R.H. SIDE