

SUBJECT: MOONEY M20M ENGINE MOUNT HEAT SHIELD

MODEL/S/N
AFFECTED: 27-0001 THRU 27-0129

TIME OF
COMPLIANCE: WITHIN NEXT 50 OPERATING HOURS

INTRODUCTION: There have been occasions that the engine mount, in the vicinity of the turbocharger, has had paint scorched or missing due to exhaust temperatures. The steel tubing may show evidence of heat and in need of maintenance action. The heat shield and associated components on this kit will reduce this temperature related action.

INSTRUCTIONS:

1. Remove upper and lower cowling per M20M S & M, Section 71-10-00.
2. Locate the area of the engine mount as shown. (See Figure SB M20-251-1 for location)
3. Inspect all engine mount tubes in close proximity to the exhaust/turbocharger for evidence of heat related damage. Repair any damage per appropriate AC43-13 procedures or M20M S & M manual, Chapter 51.
4. Lightly sand, and repaint with high temperature paint, any tubes showing evidence of heat.
5. Install 630071-001 shield using two each 630071-003 clamp assemblies and appropriate attaching hardware. (Reference Figure SB M20-251-1 for proper location and orientation on the engine mount tube.
6. Re-install lower and upper cowling per M20M S & M, Section 71-11-00.
7. Enter compliance statement in Airframe log book and return aircraft to service.

WARRANTY: Mooney Aircraft Corporation will allow up to 0.7 hours labor to install the components of this kit. The kit can be ordered through the nearest Mooney Service Center. Warranty credit will be allowed for the kit if necessary paperwork is received by Service Parts within 180 days of the date of this Service Bulletin.

REFERENCE
DATA: N/A

PARTS LIST: KIT PART NUMBER - SB M20-251-1

ITEM	P/N	DESCRIPTION	QTY
1.	630071-001	SHIELD	1
2.	630071-003	CLAMP ASSY	2
3.	AN3-6A	BOLT	2
4.	AN960-10	WASHER	4
5.	MS21042-3.	NUT.	4

FIGURES/
TABLES: REFER TO FIGURE SB M20-251-1

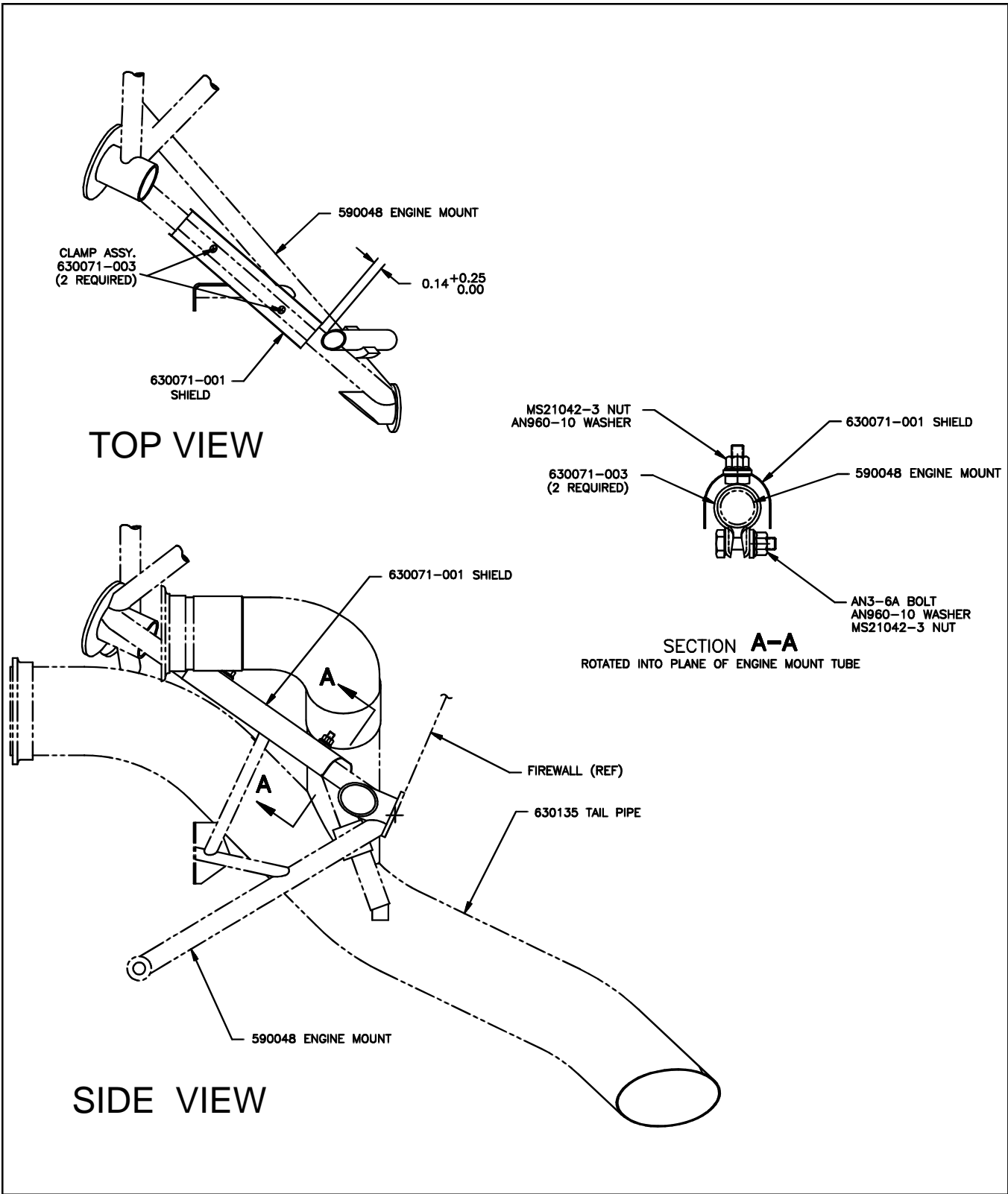


FIGURE SB M20-251-1