

MOONEY AIRCRAFT, INC.
KERRVILLE, TEXAS

SERVICE LETTER 20-79
(This Service Letter is FAA approved)

THIS SERVICE LETTER SUPERCEDES SERVICE LETTER 20-72

DATE: February 1, 1961

SUBJECT: Installation of Carburetor Air Box Spacer
P/N 6396.

MODELS AFFECTED: M20-A, Serial Numbers 1201-1587 equipped with
McCauley Propellers and Carburetor Air Boxes
Containing Cross Vanes, P/N 6260.

TIME OF COMPLIANCE: Optional.

INTRODUCTION:

The service life of the carburetor air duct (p/n 6179) can be improved by the installation of a spacer. In order to increase the duct service life, a spacer is now available for installation between the carburetor and the carburetor air intake box to provide additional clearance between the duct and the lower engine cowling.

The cost of this kit is \$3.50 net (which is our cost) and can be shipped immediately upon receipt of a firm order at:

Mooney Aircraft, Inc.
Spare Parts Annex #1
1712 Water Street
Kerrville, Texas

Please enclose Serial or Registration number of your ship with order.

PARTS LIST:

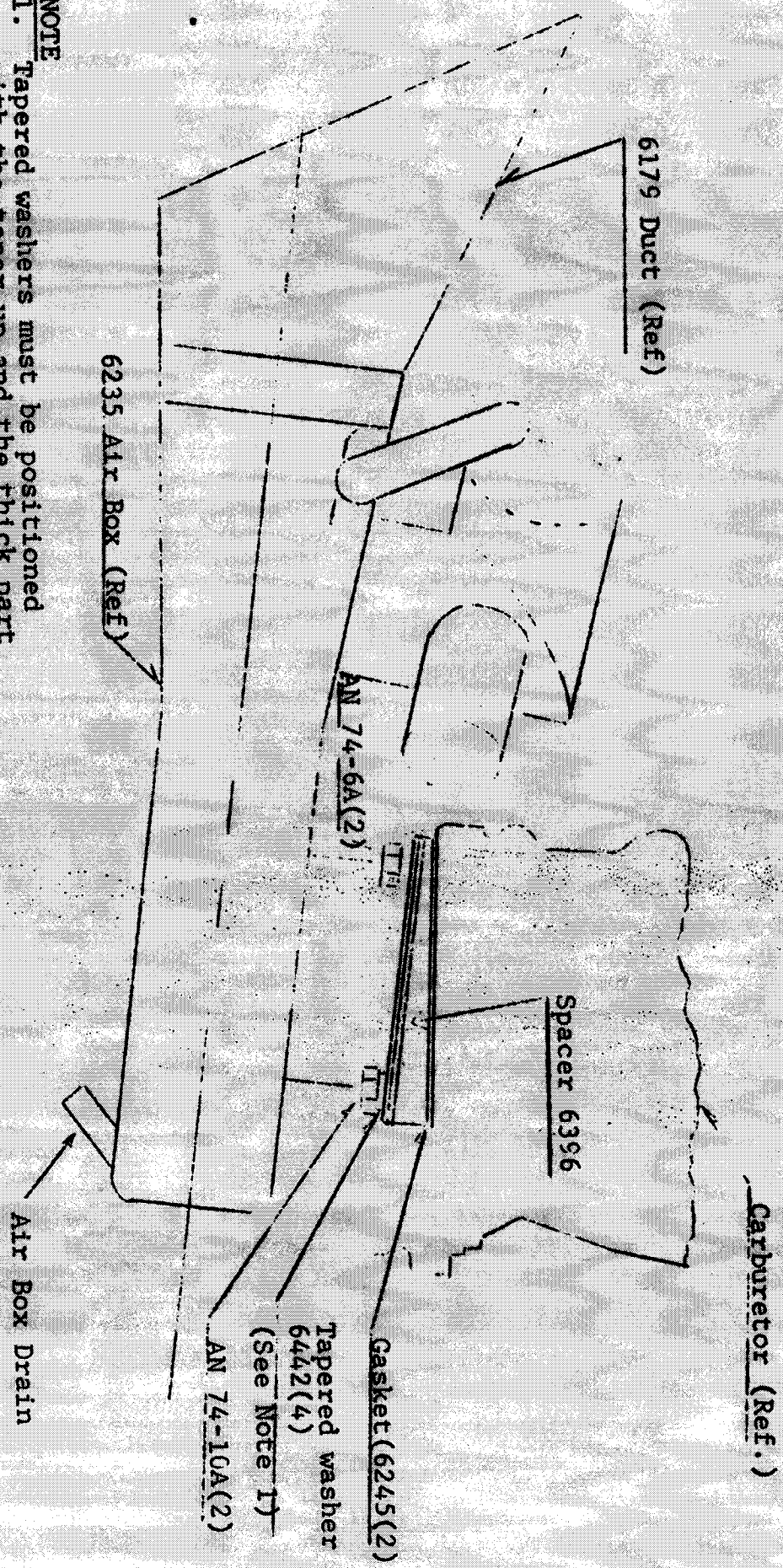
1	SL 20-79 Kit	Service Letter Kit Containing:
2	AN 74-10A	Bolts
2	AN 74-6A	Bolts
1	6396	Spacer, Carb. Air Box.
2	6245	Gaskets, Carb. Air Box.
4	6442	Tapered Washers
2	AN 931-24-28	Grommets

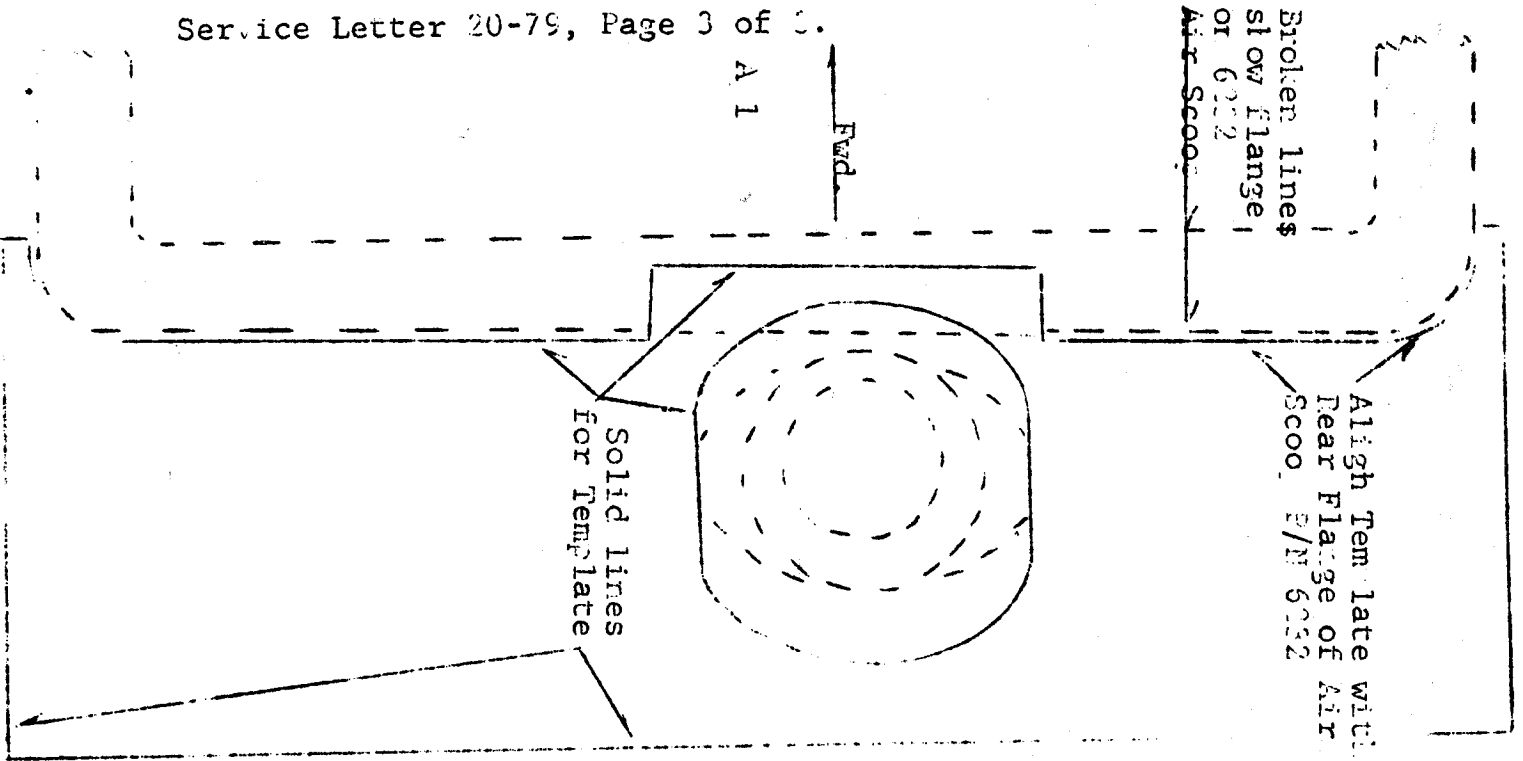
INSTALLATION INSTRUCTIONS:

1. Install Spacer p/n 6396 as shown in figure 1.
2. Make template by attaching Figure 2 on cardboard or other suitable material.
3. Place template against outside of lower cowling and mark and cut out hole.
4. Modify grommet and install as shown in Figure 2, detail A and B.

NOTE
1. Tapered washers must be positioned with the taper up and the thick part forward as shown.

FIGURE 1
INSTALLATION OF CARBURETOR AND AIR BOX SPACER.





CAUTION - Carburetor Air Boi. Drain Tube should clear hole in Cowling a minimum of 1/2"

Detail A
 Make from
 AN 501-4-20

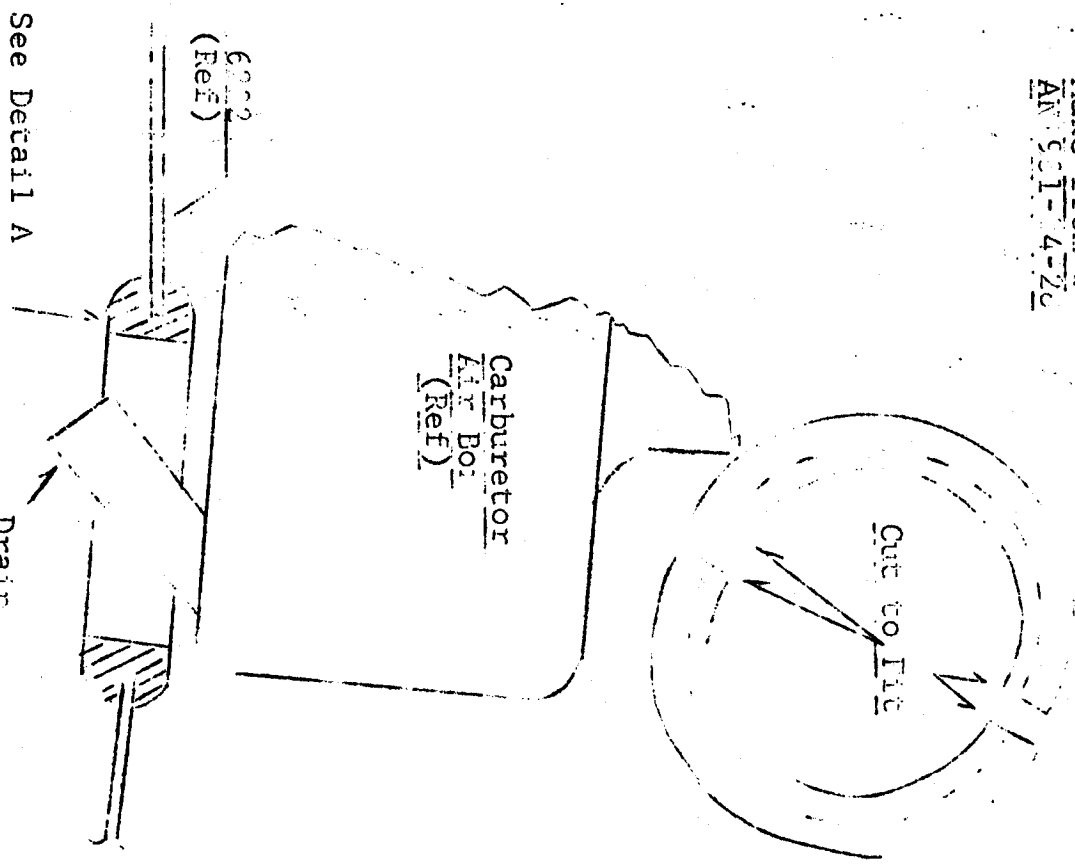


FIGURE 2