



S.I. M20-54  
DATE 1-19-81

**SUBJECT:** Installation of Cushioned Retainer Assemblies behind light bulbs.

**MODELS/  
SERIAL NUMBERS  
AFFECTED:**

Mooney Model M20K, S/N 25-0001 thru 25-0609.

**TIME OF  
COMPLIANCE:**

At next scheduled maintenance, at owners discretion.

**INTRODUCTION:**

Reports from the field have indicated failure of landing light bulbs. In some cases the bulb is cracked causing the filament to be destroyed when landing light is turned on.

**INSTRUCTIONS:**

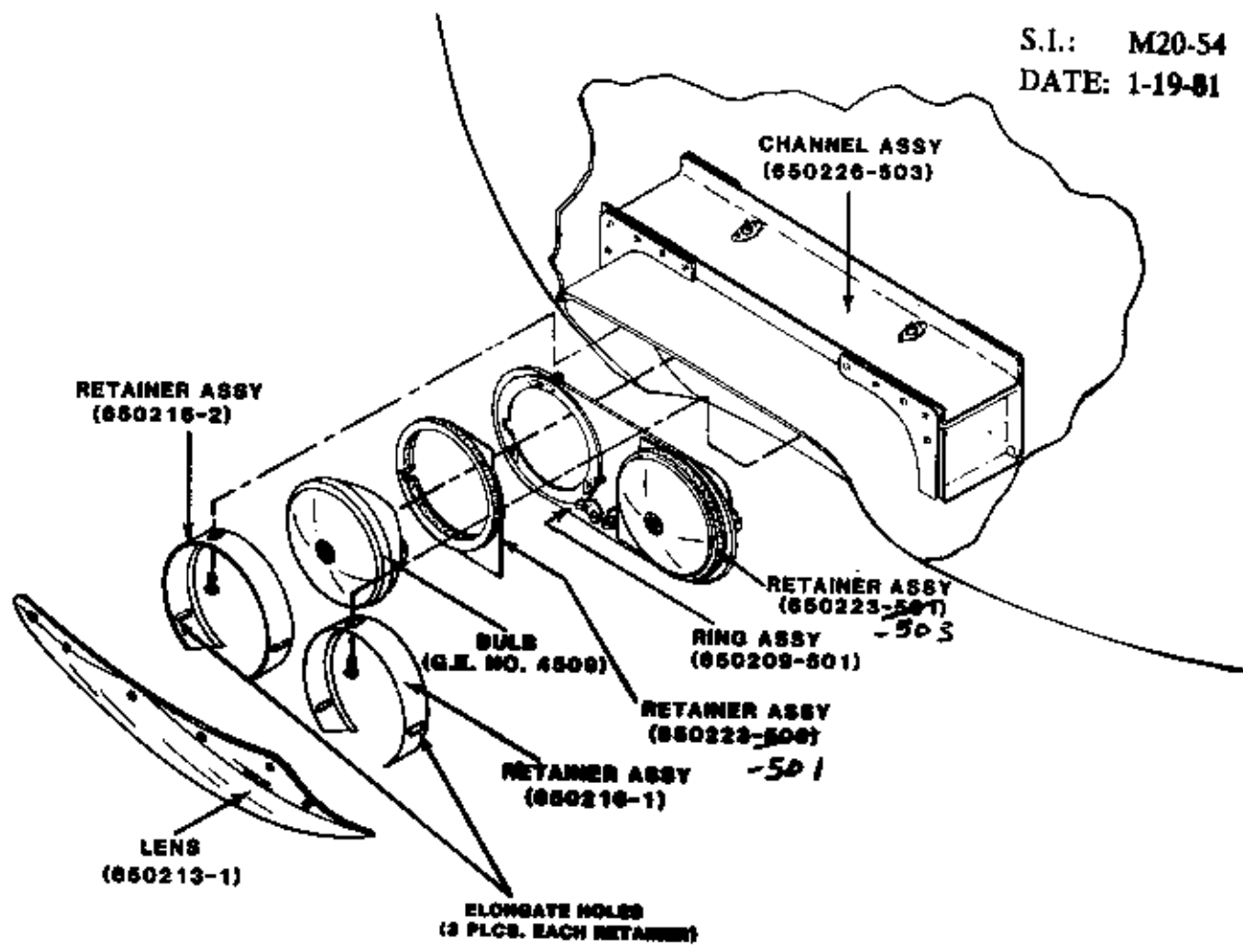
1. Remove the landing light lens P/N 650213-1 from the front of cowling.
2. Remove retainer rings, P/N 650216-1 & -2, from front of light bulbs. Retain for rework and reinstallation later. (Ref. Figure 1)
3. Pull light bulbs out from mounting brackets and disconnect electrical wires.
4. Place new retainer assemblies, P/N 650223-501 and -503, cushion side toward bulb, in place against ring assy, P/N 650209-501. (Ref. Figure 1). Trim edges to fit inside landing detent in cowling if necessary.
5. Rework the (2) retainer rings removed earlier, P/N 650216-1 and -2 by elongating the three holes in each ring, aft direction, to allow ring to be attached when the cushioned retainers push the light bulbs forward from their original position.
6. Reinstall light bulbs and reconnect electrical wiring.
7. Reinstall L.H. & R.H. retainers, P/N 650216-1 and -2, positioning them snugly against the light bulb and securing with original screws. The reason for the slotted holes will be apparent here.
8. Check rigging and operation of the landing lights when installation is completed, ref. Figure 2.
9. Enter compliance note in Aircraft Log Book and return aircraft to service.

**REFERENCE:** M20K Parts Catalog, Basic Issue, Figure 15.

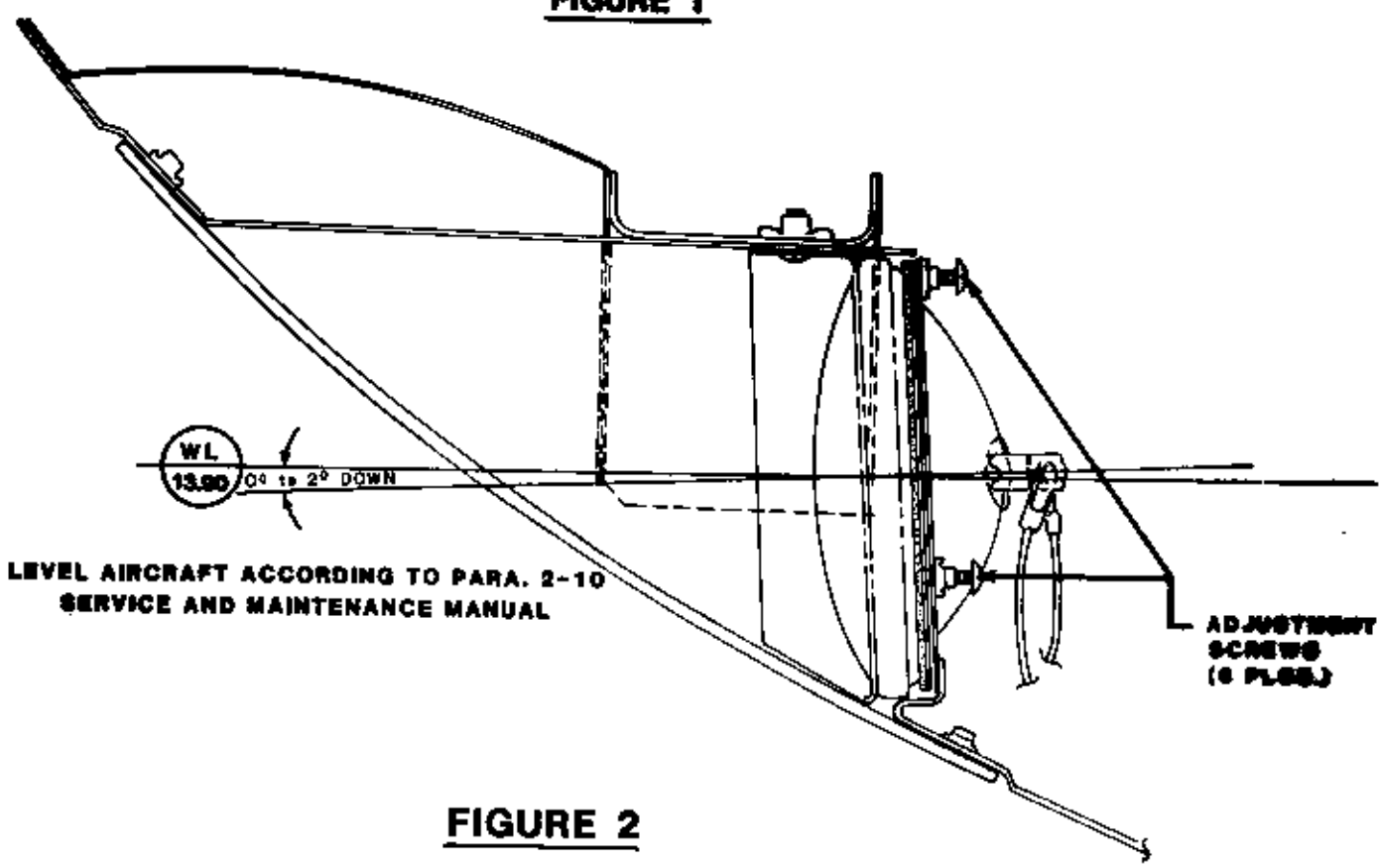
**PARTS LIST:** Kit Part No. S.I. M20-54-001

Qty.	P/N	Description
1	650223-501	Retainer Assy <del>L.H.</del> R.H.
1	650223-503	Retainer Assy <del>R.H.</del> L.H.

**FIGURE/TABLES:** See Attached Figure 1 and 2.



**FIGURE 1**



**FIGURE 2**