

# AMG-1700

Series

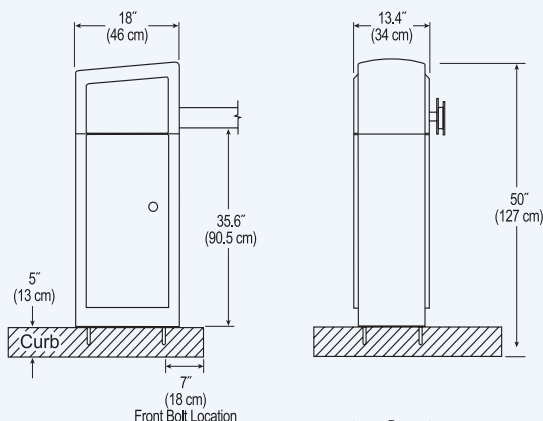
***Parking Gate***



*Amano McGann's AMG-1700 Series Revenue Parking Gate is designed to meet all your parking control needs. The microprocessor-based logic and functionality provides the ultimate in reliability, performance and safety, as well as the flexibility to accommodate four different modes of operation.*

## Parking Gate

# AMG-1700



| Letter | Measurement      |
|--------|------------------|
| A      | 8.7" (22 cm)     |
| B      | 7" (18 cm)       |
| C      | 11.8" (30 cm)    |
| D      | 13.4" (34 cm)    |
| E      | 18.64" (47.4 cm) |
| F      | 9.9" (25.16 cm)  |
| G      | 6" (15.24 cm)    |

CONFINE RIGID CONDUIT NO MORE THAN 2" (5 cm) HIGH IN THIS AREA.

## FEATURES

- ◀ *Slim, cabinet-style design*
- ◀ *Four selectable modes of operation*
- ◀ *Pre-installed detector harness*
- ◀ *Microprocessor-based logic and functionality*
- ◀ *Standard "extra sensory" safety feature*
- ◀ *Instant reversing motor*
- ◀ *1/3 horsepower motor with sealed gear reducer*
- ◀ *Internal thermal/overload protection*
- ◀ *Thermostat-controlled heater*
- ◀ *12' standard gate arm, and 11' standard folding gate arm configurations available*
- ◀ *Dual powder coat finish*

REPRESENTED BY:

## SPECIFICATIONS

### ELECTRICAL

|  |
|--|
| 120V AC, 60 Hz   |
| 220/240V AC, 50/60 Hz                                  |
| <b>Service amps:</b> 20A (120V)                        |
| <b>Connections:</b> Four utility power outlets         |
| DIN rail terminal blocks including logic               |
| Main power breakers                                    |
| <b>Field wiring:</b> Removable terminal block assembly |
| Dry contact input, output                              |
| 12V DC unregulated                                     |

### MOTOR CHARACTERISTICS

|   |
|---|
| <b>Horsepower:</b> 1/3 single-phase instantly reversing motor |
| <b>Speed:</b> 1625 RPM  |
| <b>Starting amps:</b> 10A (120V) maximum                      |
| <b>Running amps:</b> 4.5A (120V)                              |
| Heavy-duty V-belt to drive speed reducer                      |
| Internal thermal/overload protection                          |

### ENVIRONMENT

|   |
|---|
| <b>Temperature:</b> -20°F ~120°F (-29°C ~ 49°C) |
| Automatic thermostat-controlled heater included |
| <b>Humidity:</b> 10% ~ 90% (non-condensing)     |

### HOUSING

|  |
|--|
| Heavy-duty, 14-gauge all-weather steel construction  |
| <b>Dimensions:</b> 45.1"H x 13.4"W x 18.6"D (114 cm x 34 cm x 47 cm)   |
| <b>Weight:</b> 166 lbs. (75 kg)  |
| <b>Access:</b> Removable cover on drive mechanism (360° access)  |
| Lockable door (access to electrical connections and control box)   |
| <b>Finish (Std):</b> Argento Silver (#305) cabinet / Classic Grey (#314) side panels; White (RAL#9003); custom color available |

### GATE ARM

|  |
|--|
| <b>Height:</b> 34" (86 cm) as shipped in down position         |
| <b>Length:</b> AL12: 12' (365 cm) — aluminum                   |
| AL25: 11' (323 cm) folding gate arm — aluminum                 |
| <b>Optional sonic alert:</b> Audible alarm kit (AGP-0517/A627) |

### MICROPROCESSOR-BASED CONTROLLER

|   |
|---|
| Quick, plug-in installation. Gate up/normal/down switch (internal manual override). |
| <b>Operation modes:</b> One way pay   |
| Bi-directional lane   |
| Free direction  |
| Input/output lane controller  |
| <b>Switch selectable features:</b> "Extra sensory" timer                            |
| Backout timer   |
| Closing loop safety "auto stop"   |

Manufactured by Amano Cincinnati, Inc.'s Ohio factory, an ISO 9001:2000 registered facility. Specifications are approximate and are subject to change without notice. UL approval does not apply to 220/240V AC, 50/60 Hz



# AMANO McGANN®

Corporate Headquarters 651 Taft Street NE, Minneapolis, MN 55413  
Tel: (612) 331-2020 [www.amanomcgann.com](http://www.amanomcgann.com)