

AMG-7800

Series

Pay-On-Foot Central Pay Station

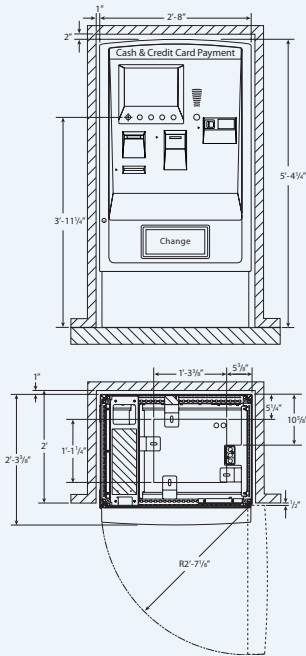


Amano McGann AMG-7800 automatic Central Pay Station is designed as a fast pay-processing unit and is perfect for large-scale 24-hour operations. A large easy-to-read 15-inch flat panel color display and lighted guidance system leads users through easy-to-follow transactions enhanced with screen prompts and voice announcements. Transactions are faster and easier for the user – virtually eliminating long lines and delays.



Central Pay Station

AMG-7800



FEATURES

- Ergonomic, customer-friendly, compact modular design*
- Large, easy-to-read 15-in. flat panel display*
- Intuitive, easy-to-use lighted guidance system helps patrons make fast transactions*
- Superior counterfeit bill detection/rejection technology*
- One-drop change location eliminates confusion*
- Accepts notes and coins. Faster, more reliable electronic self-replenishing coin system eliminates tubes with option for up to three recycling coin hoppers and a fourth non-recycling hopper*
- Dispenses notes (up to 3), coins (up to 4), and receipts*
- Large, 8" receipt roll – saves labor, and improves security*
- Uninterruptible power supply*
- Note storage in individual, lockable cassettes*
- Scalable hardware/software*
- Multiple languages are programmable, including English, French and Spanish*

SPECIFICATIONS

COMPLIANCE

PCI PA-DSS (Payment Application Data Security Standard) Compliant

AMG-7800 Series Pay Station does not store credit card data

Meets ADA (Americans with Disabilities Act) and ANSI (American National Standards Institute) requirements

ELECTRICAL

Power Source: 120VAC, 60Hz

Utilization: 3 amp normal, 10 amp maximum

ENVIRONMENT

Temperature: 14° F to 104° F (-10° C to 40° C)

Relative Humidity: 10% to 90% (non-condensing)

Automatic thermostat-controlled heaters and fan included

HOUSING

Height: 64.25" (1631.95 mm)

Width: 31.5" (800 mm)

Depth: 27.2" (692 mm)

Construction: Sheet steel housing

Cabinet Finish: Textured powder coat finish Grey

Door Finish: Metal door with painted molded plastic overlay

Total Weight: Approximately 800 lbs. (363 kg)

TIME CONTROL

Quartz oscillated, accurate within ± 3 seconds per week at 68° F to 86° F (20° C to 30° C)

Perpetual calendar

Programmable Daylight Saving Time adjustment

ON/OFFLINE OPERATION

The AMG-7800 may operate as a stand-alone unit accepting cash and coin. Built in reporting functions available.

Online Operation: Utilizes RS-485 communication with the parking management software host. Data sent from the pay station to the host PC includes individual transaction data, alarm and event messages. Data sent from the parking management software to the pay station includes program data updates, time synchronization, backout ticket data and in/out of service status.

Credit Card Operation: Utilizes ethernet communication to OPUS Charge Server

SECURITY

Multi-point safety lock system

Access Lock: Secures the main locking mechanism utilizing a plug type lock to be removed in order to gain access to the inner lock

Inner Lock: Secures the pay station door utilizing a T-shaped key

Intruder alarm

Security locks on money handling compartments

UNINTERRUPTIBLE POWER SUPPLY (UPS)

Protects the pay station from poor quality AC line power. Protection is provided from surges, low voltage, high voltage and complete power failure. On power fail, UPS will initiate an emergency shutdown. If transaction is in progress, the transaction will be completed prior to shutting down, the display will go blank and the internal PC will power down. UPS also provides protection of software databases.

Specifications are approximate and are subject to change without notice.



REPRESENTED BY:

AMANO McGANN

2699 Patton Road, Roseville, MN 55113
Tel: (612) 331-2020 www.amanomcgann.com