

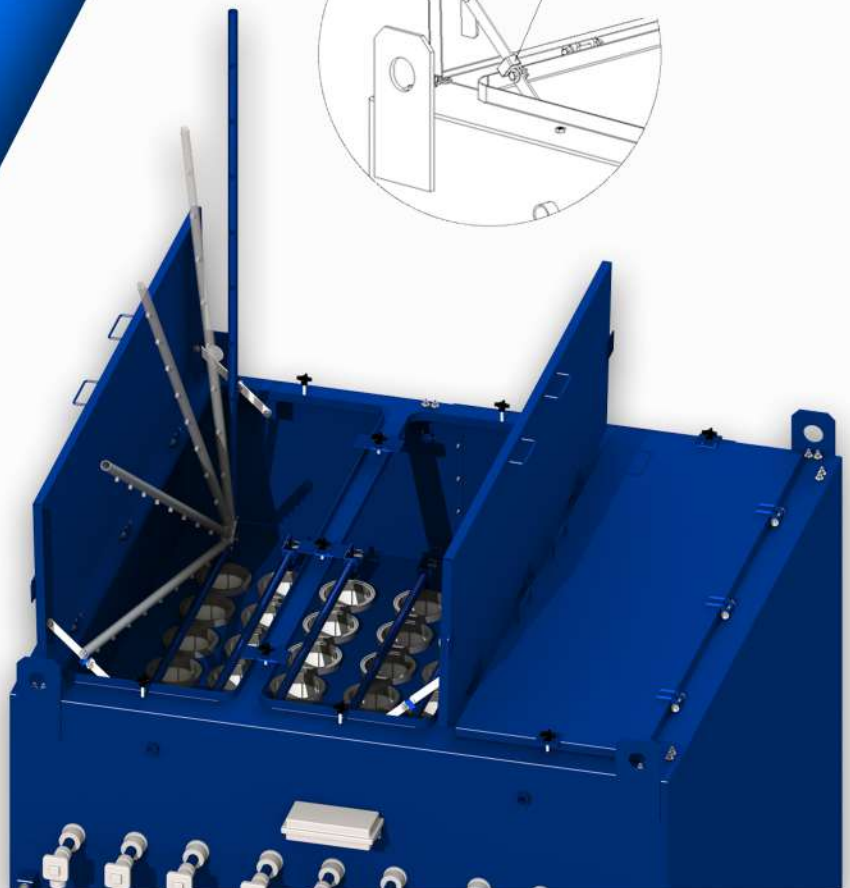
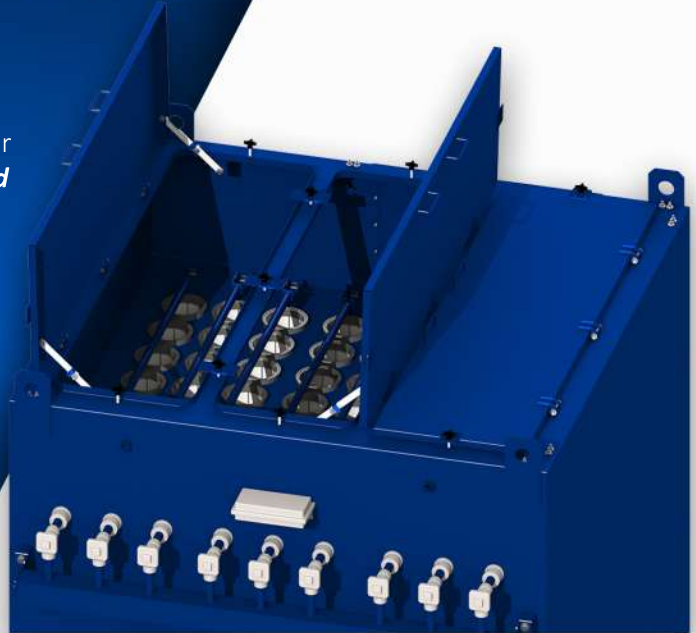
A.C.T.

DUST COLLECTORS

A.C.T. Dust Collectors offer the ultimate in air filtration. Whether your application includes welding smoke, grinding dust, cutting table fume, shot blasting, sanding, thermal spray, coating, bulk powder handling or any process that generates dust, we have the solution. The **downward airflow** technology maximizes airflow in the collector to assist dust separation. Regardless of how small or how large your capacity needs are, we manufacture a system that will maximize your air filtration.

Tool-Free Bag Change

- Safety-lock, hinged filter access door
- Swing-away, hinged pulse tube
- Tool free bag replacement
- Save Labor Time



13310 Industrial Park Blvd.
Suite 195
Minneapolis, MN 55441
P: 763-557-7162
F: 763-557-9731
Toll Free: 800-422-1316
actdustcollectors.com

MAXIMIZING YOUR AIR FILTRATION