



Leading MBS Technology
for Technology Leaders

SIMPACK

Automotive

APPLICATION

SIMPACK Automotive is an add-on module tailored to the specific requirements of the automotive simulation sector.

Applications

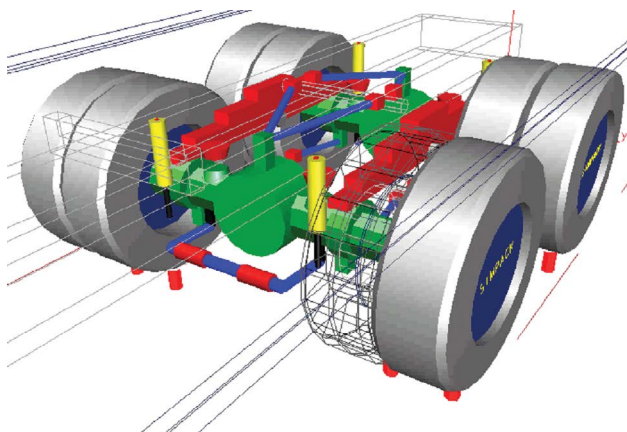
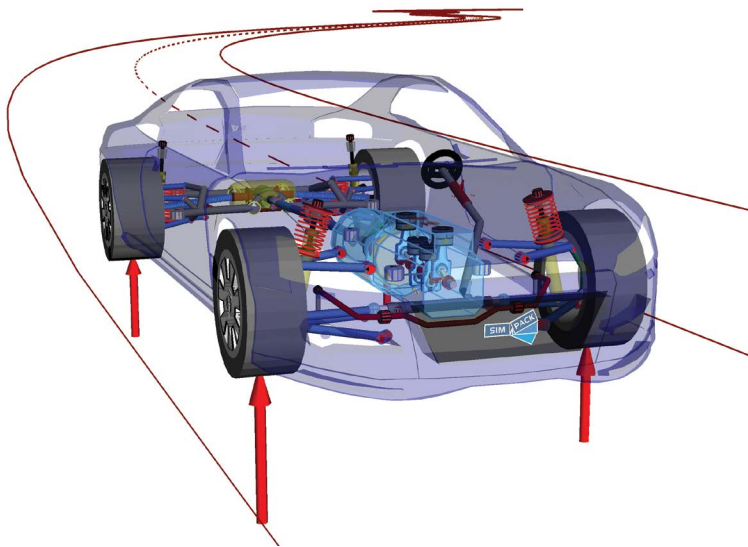
- Passenger cars, trucks, busses and land machinery
- People movers and motorcycles
- Complete system analyses with component based sub-system models
- Handling, ride and NVH analyses
- SiL, HiL and MiL applications
- Stress and durability
- DoE and optimization

Highlights

- Unlimited modeling flexibility
- Extreme non-linear system behavior
- Analyses in the frequency and time domain
- Fully parameterized highly detailed automotive database for all typical suspension/driveline types available
- Scalable detail and complexity
- Batch jobs and automatic report generation
- Interfaces to third party software (CDTire, Delft-Tyre, FTire, TMEasy)

Features

- Frequency and amplitude dependent force elements (dynamic bushing/hydrmount)
- High fidelity drivetrain elements
- Detailed air spring models
- Beam based leaf springs with contact and friction
- Flexible body generation within SIMPACK
- Importation of flexible bodies from FEM codes
- Easy implementation of user specific code



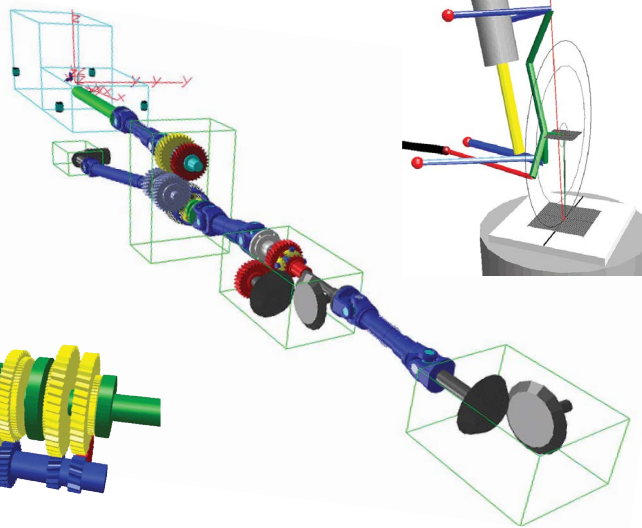
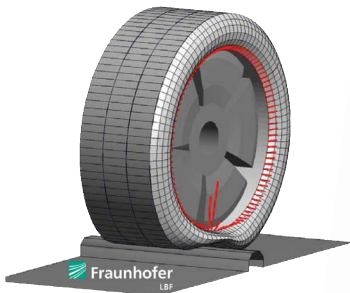
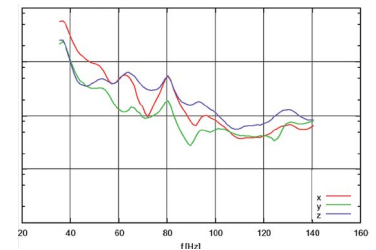
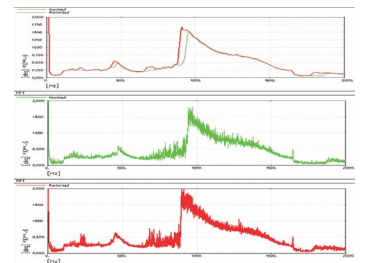
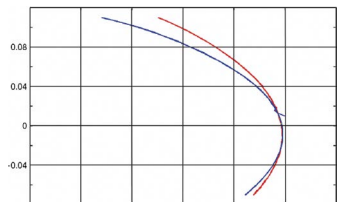
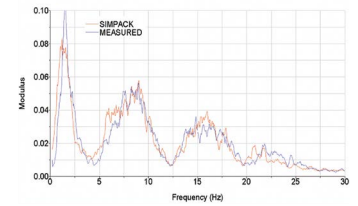
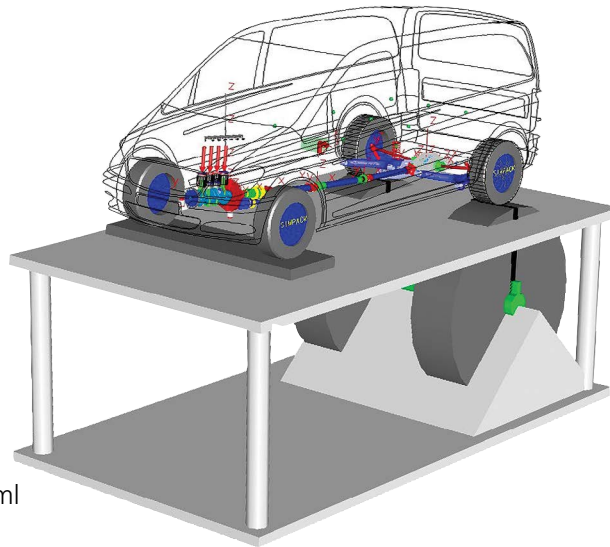
Interfaces to

- CAD software
- FEM software
- Control software
- Fluid dynamics software
- Fatigue analysis software
- Optimization tools

Operating Systems

- Windows and Linux.

See: www.simpack.com/platforms.html



SIMPACK CUSTOMER SOLUTION CENTERS:

GERMANY HEADQUARTERS

SIMPACK GmbH
 Friedrichshafener Strasse 1
 82205 Gilching
 Germany
 Phone: +49 (0)8105 77266-0
 Fax: +49 (0)8105 77266-11
 info@SIMPACK.de
 www.SIMPACK.com

USA
SIMPACK US Inc.
Dassault Systèmes SIMULIA Corp
 900 North Squirrel Road, Suite 100
 Auburn Hills, Michigan 48326
 USA
 Phone: +1 313 827-5500
 Fax: +1 313 323-0149
 Mobile: +1 251 923 9566
 Robert.SOLOMON@3ds.com
 www.SIMPACK.com

GREAT BRITAIN
SIMPACK UK Ltd.
 The Whittle Estate
 Cambridge Road
 Whetstone
 Leicester LE8 6LH
 UK
 Phone: +44 (0)116 275 1313
 Mobile: +44 (0)7767 416 656
 info@SIMPACK.co.uk
 www.SIMPACK.com

JAPAN
SIMPACK Japan K.K.
 21F ThinkPark Tower
 2-1-1 Osaki
 Shinagawa-ku
 Tokyo 141-6020
 Japan
 Phone: +81 3 4321-3522
 Fax: +81 3 4321-3543
 info@SIMPACK.jp
 www.SIMPACK.jp

FRANCE
SIMPACK France S.A.S. /
Dassault Systèmes
 20 Boulevard Eugène Deruelle
 Immeuble Le Britannia
 69003 Lyon
 France
 Phone: +33 4 7214 1683
 Mobile: +33 673 881 965
 info@SIMPACK.fr
 www.SIMPACK.fr



For SIMPACK Distributors please go to www.simpack.com/contact.html